



ASSEMBLY INSTRUCTION

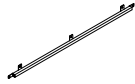
1612BK-1: QUEEN METAL BED

HOME ELEGANCE

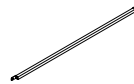
PART LIST:



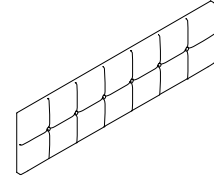
A: LEGS FOR ALL
SIZE BED
2PCS



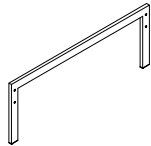
B: HEADBOARD CONNECTOR
BAR
2PCS



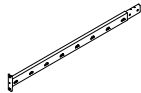
C: HEADBOARD
STRETCHER
1PCS



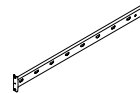
D: HEADBOARD
1PCS



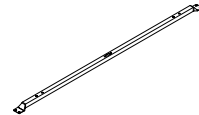
E: FOOTBOARD
1PC



F: SIDE RAIL
2PCS



G: SIDE RAIL
2PCS



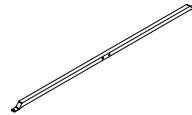
H: CENTER CROSS BAR
1PC



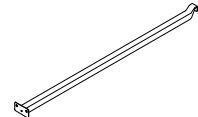
I: SUPPORT LEG
3PCS



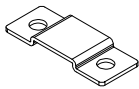
J: SUPPORT LEG
2PCS



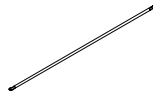
K: SIDE CROSS BAR
2PCS



L: CENTER RAIL
SUPPORT BAR
2PCS



M: BRACKET
1PC

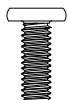


N: SLAT
14PCS



O: SLAT CONNECTOR
28PCS

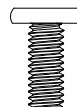
HARDWARE SET:



1: Bolt
1/4*17.5mm
X 20pcs



2: Bolt
1/4*22mm
X 12pcs



3: Bolt
5/16*19mm
X 8pcs



4: Bolt
1/4*40mm
X 6pcs



5: Nut
1/4
X 6psc



6: Washer
1/4
X 4psc



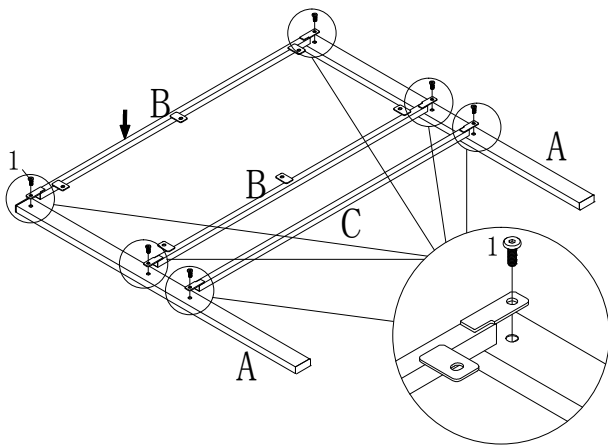
7: L-Allen Key
X 1pc



8: Wrench
X 1PC

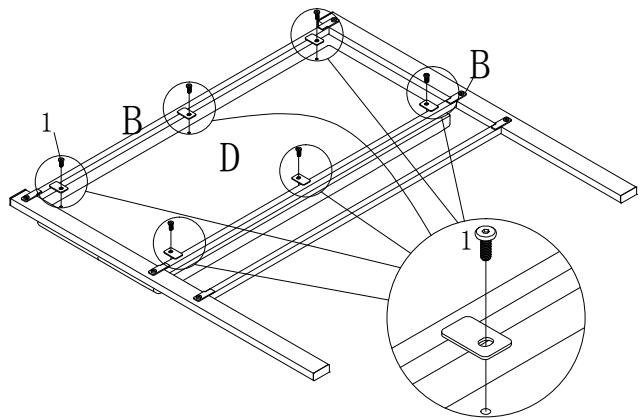
Note: Please do not tighten all bolts until the bed is assembled completely.

STEP 1



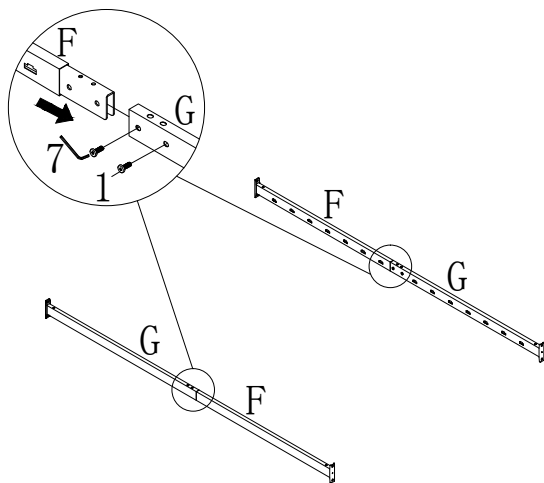
Hardware 1: 6 pcs

STEP 2



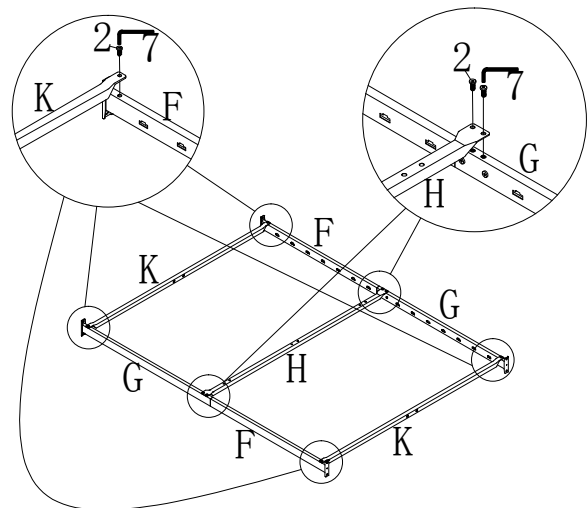
Hardware 1: 6 pcs

STEP 3



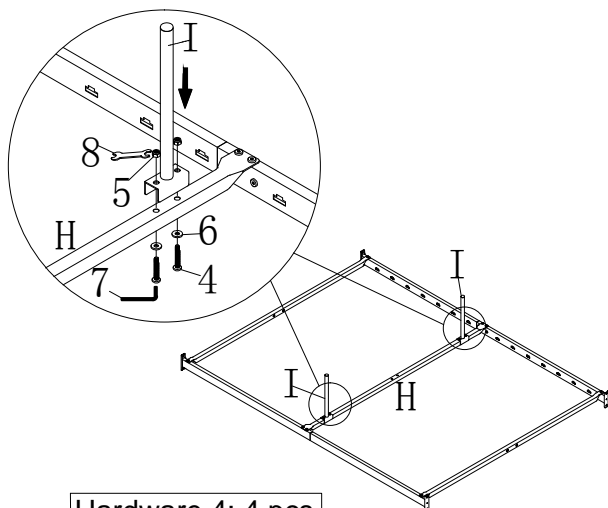
Hardware 1: 4 pcs

STEP 4



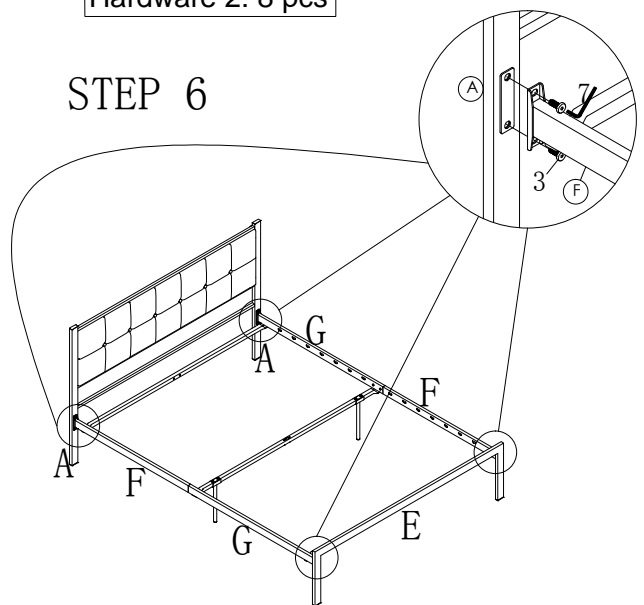
Hardware 2: 8 pcs

STEP 5



Hardware 4: 4 pcs
Hardware 5: 4 pcs
Hardware 6: 4 pcs

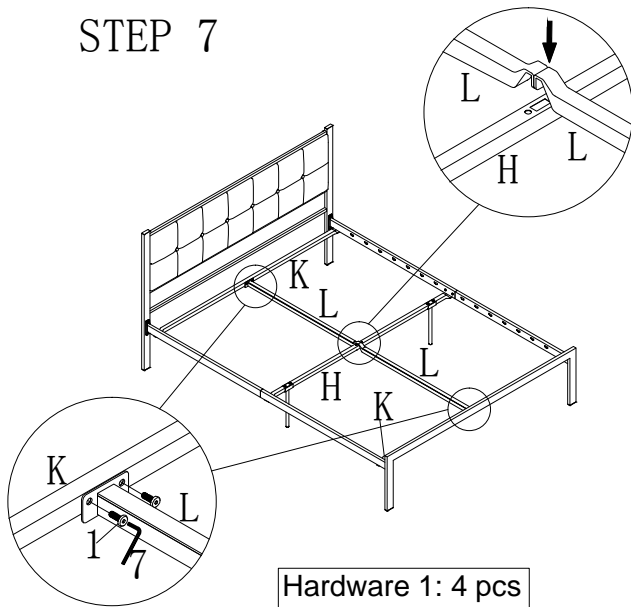
STEP 6



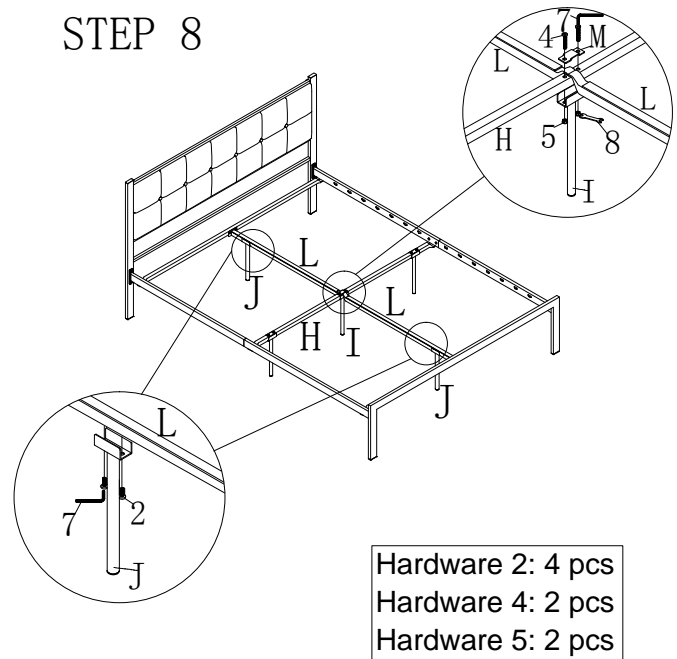
Hardware 3: 8 pcs

Note: Please do not tighten all bolts until the bed is assembled completely.

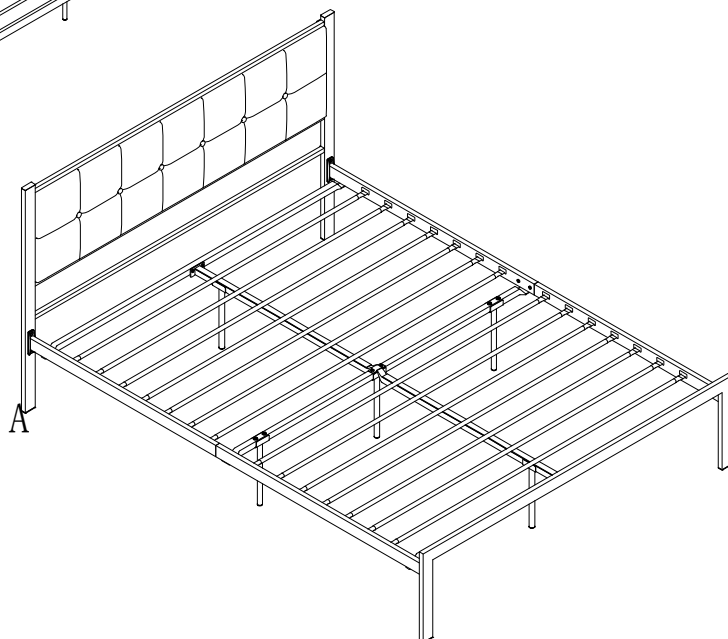
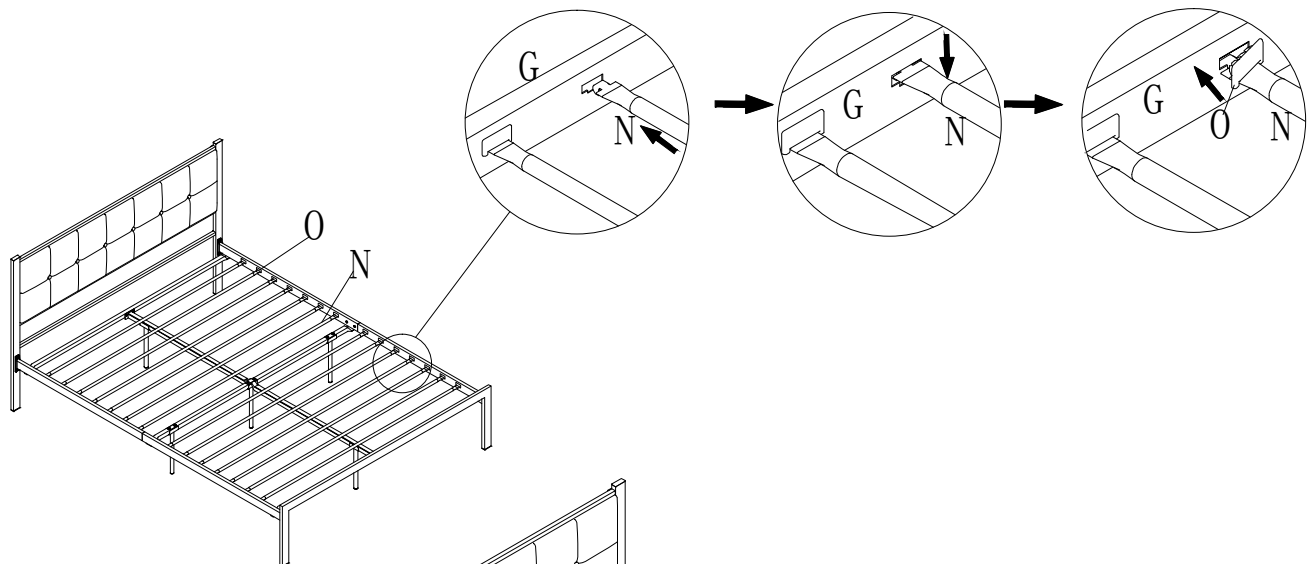
STEP 7



STEP 8



STEP 9



For items use on wooden floor, hard surfaces or carpets, it is recommended to Install protective pads under all legs and supports to avoid/prevent from damages/scratches and discoloration.