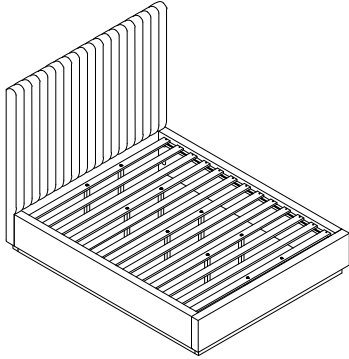


# ASSEMBLING INSTRUCTIONS

ITEM NO.: 2320K-1 California/Eastern King Headboard  
 2320K-3EK Eastern King Footboard with Rails & Slats



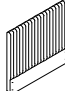
Thank you for purchasing this product. Please take time to read and follow the instructions below. Check that you have all parts and hardware before assembly. Parts apparently missing are often found in the packing materials. If you do not have all the parts listed, have your dealer contact us and they be sent to you immediately.



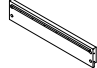

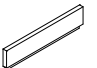

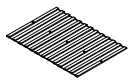
It is recommended to install protective pads under all legs and support to avoid damage or scratches when placing furniture on a wood floor or other hard surface, and to limit indentation and prevent discoloration if placing on carpet.

\* DO NOT TIGHTEN BOLTS UNTIL COMPLETELY ASSEMBLED

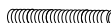




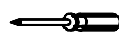
## 2320K-1 PARTS LISTS

| NO. | SKETCH   | DESCRIPTION | QTY  |
|-----|--|-------------|------|
| A   |  | Headboard   | 1 PC |

## 2320K-3 PARTS LISTS

| NO. | SKETCH  | DESCRIPTION      | QTY                |
|-----|---|------------------|--------------------|
| B   |  | RSF Side Rail    | 1 PC               |
| C   |  | LSF Side Rail    | 1 PC               |
| D   |  | Footboard        | 1 PC               |
| E   |  | Slat Support Leg | 10 PCS             |
| F   |  | Slat Roll        | 1 ROLL /<br>13 PCS |

## HARDWARE LISTS

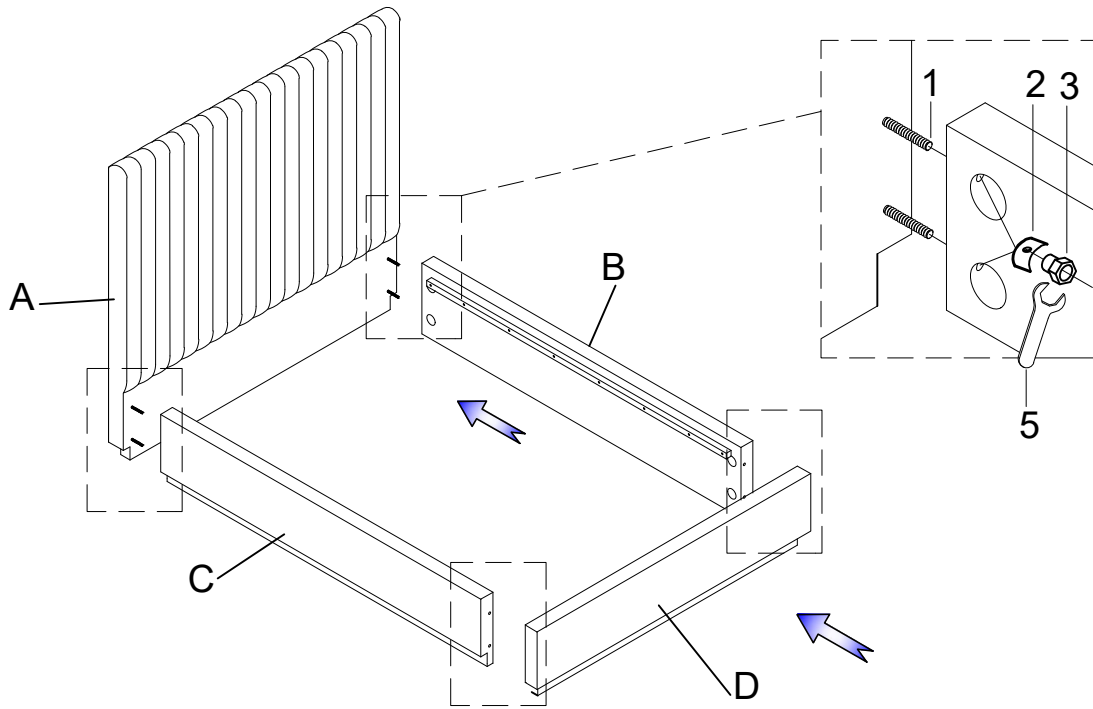
| NO. | SKETCH  | DESCRIPTION        | SIZE             | QTY    |
|-----|---|--------------------|------------------|--------|
| 1   |  | Full - Thread Bolt | Ø5/16" x 2-3/16" | 8 PCS  |
| 2   |  | Curve Washer       | Ø5/16" x 1-3/16" | 8 PCS  |
| 3   |  | Hex Nut            | Ø5/16"           | 8 PCS  |
| 4   |  | Screw              | #4 x 1-3/16"     | 26 PCS |
| 5   |  | Open Wrench        |                  | 1 PC   |
| 6   |  | Screwdriver        | Not Provided     |        |

\* ABOVE HARDWARE ARE PACKED IN 2320K-3 FOR ASSEMBLY

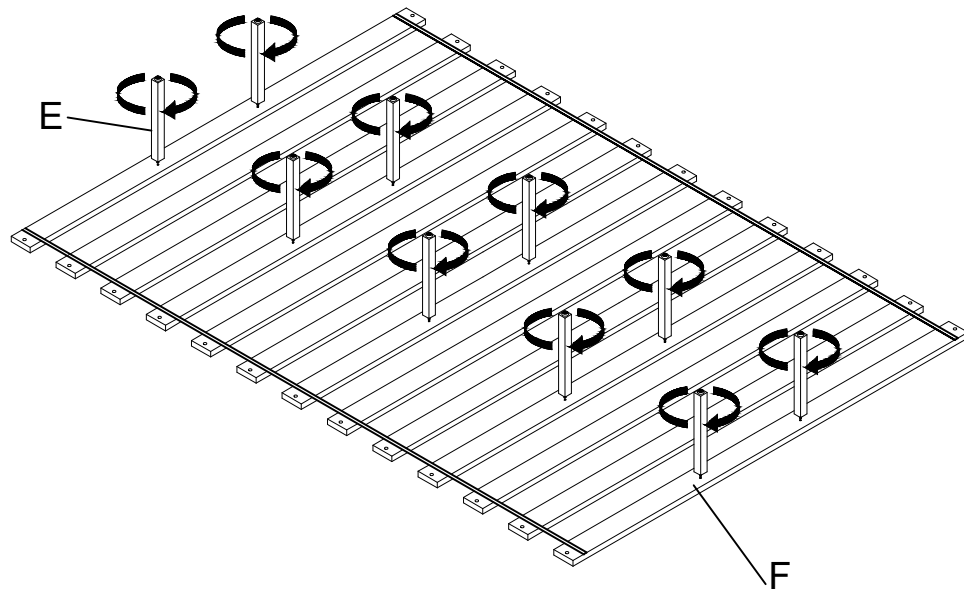
# ASSEMBLING INSTRUCTIONS

ITEM NO.: 2320K-1 California/Eastern King Headboard  
 2320K-3EK Eastern King Footboard with Rails & Slats

## STEP 1:



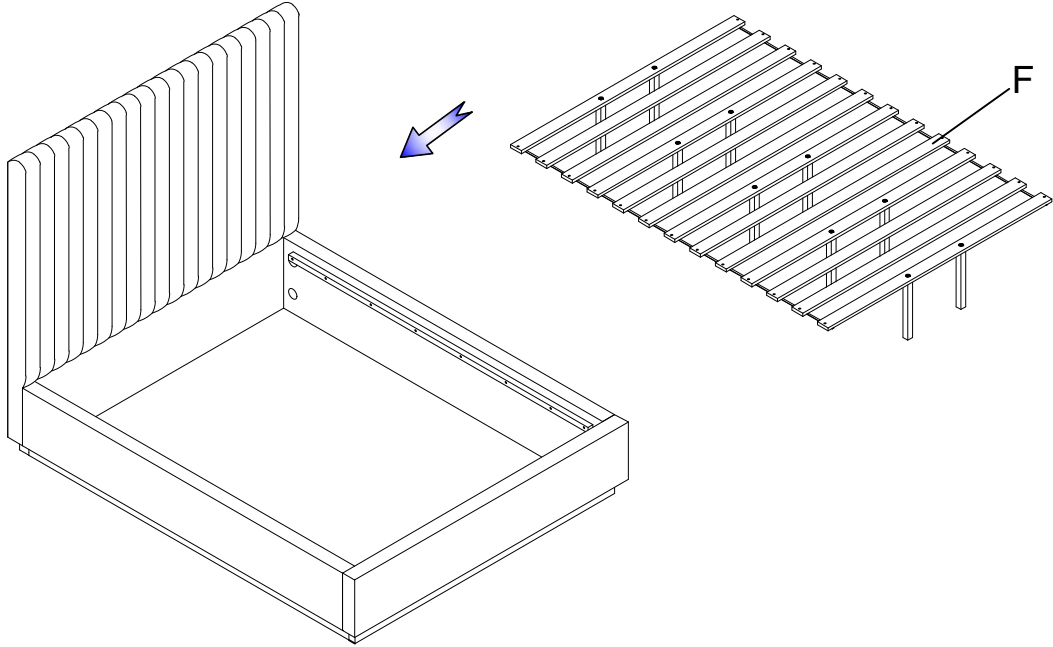
## STEP 2:



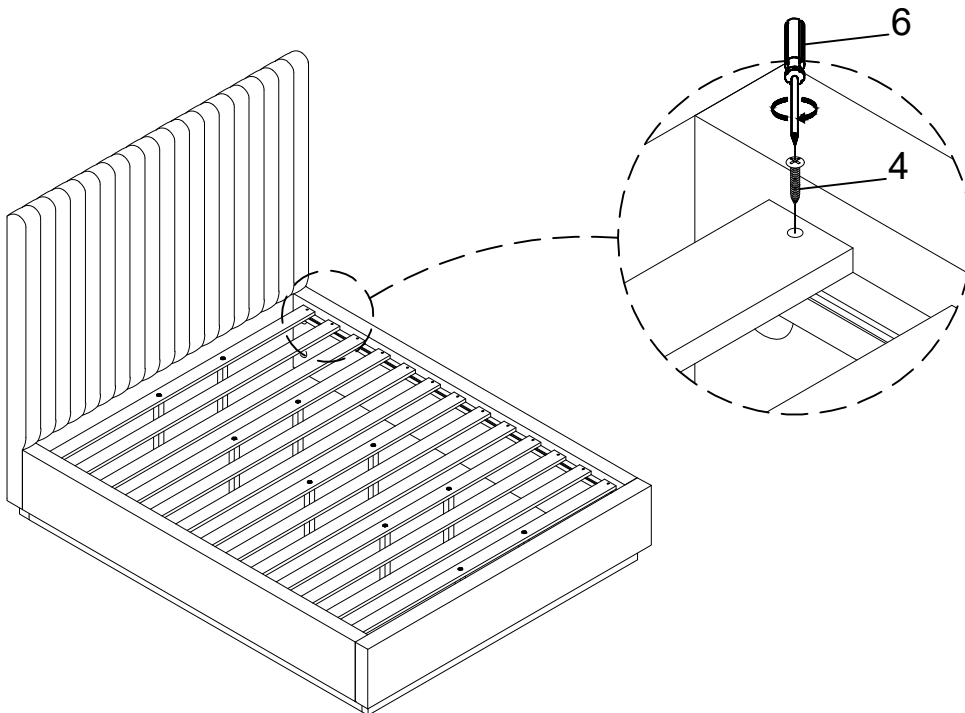
# ASSEMBLING INSTRUCTIONS

ITEM NO.: 2320K-1 California/Eastern King Headboard  
2320K-3EK Eastern King Footboard with Rails & Slats

## STEP 3:



## STEP 4:



# ASSEMBLING INSTRUCTIONS

ITEM NO.: 2320K-1 California/Eastern King Headboard  
2320K-3EK Eastern King Footboard with Rails & Slats

COMPLETED

