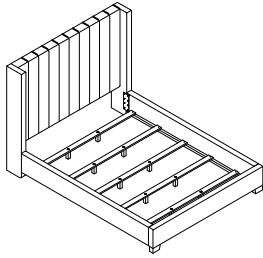



ASSEMBLING INSTRUCTIONS

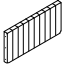


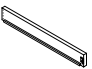
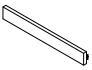
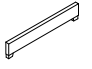


ITEM NO.: 2399F-1 Full Bed
 2399-1 Queen Bed
 2399K-1EK EK Bed
 2399K-1CK CK Bed






Thank you for purchasing this product. Please take time to read and follow the instructions below. Check that you have all parts and hardware before assembly. Parts apparently missing are often found in the packing materials. If you do not have all the parts listed, have your dealer contact us and they be sent to you immediately.

 It is recommended to install protective pads under all legs and support to avoid damage or scratches when placing furniture on a wood floor or other hard surface, and to limit indentation and prevent discoloration if placing on carpet.

2399F-1 / 2399-1 / 2398K-1EK / 2399K-1CK PARTS LISTS / LISTE DE PIECES

NO.	SKETCH	DESCRIPTION	QTY
A		Headboard	1 PC
B		LSF Post Leg	1 PC
C		RSF Post Leg	1 PC
D		RSF Side Rail	1 PC
E		LSF Side Rail	1 PC
F		Footboard	1 PC
G		Slat Support Leg	10 PCS
H		Slat	5 PCS

HARDWARE LISTS / LISTES DE MATÉRIEL

NO.	SKETCH	DESCRIPTION	SIZE	QTY
1		Metal Plate	8-1/2" x 3"	2 PCS
2		Bolt	Ø5/16" x 2-1/2"	6 PCS
3		Bolt	Ø5/16" x 1-3/4"	16 PCS
4		Spring Washer	Ø5/16"	22 PCS
5		Flat Washer	Ø5/16"	22 PCS
6		Screw	#4 x 1-3/16"	10 PCS
7		Allen Key	#4	1 PC



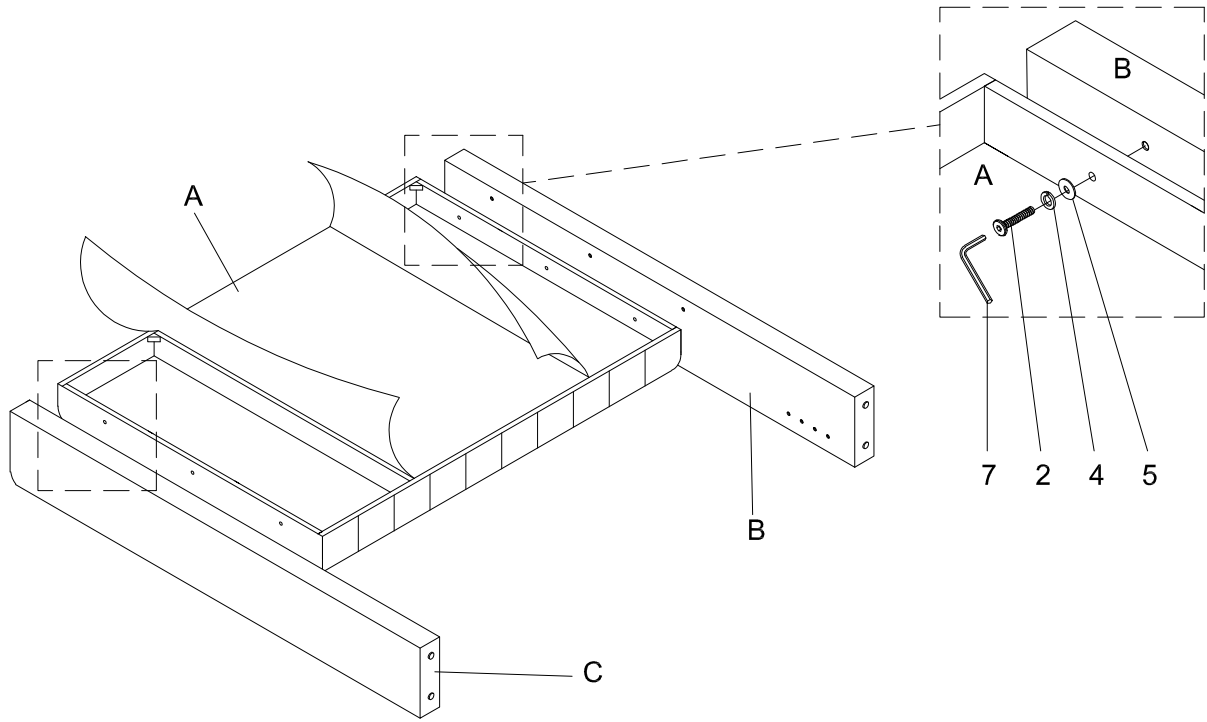
Screwdriver
(Not Provided)

* DO NOT TIGHTEN BOLTS UNTIL COMPLETELY ASSEMBLED

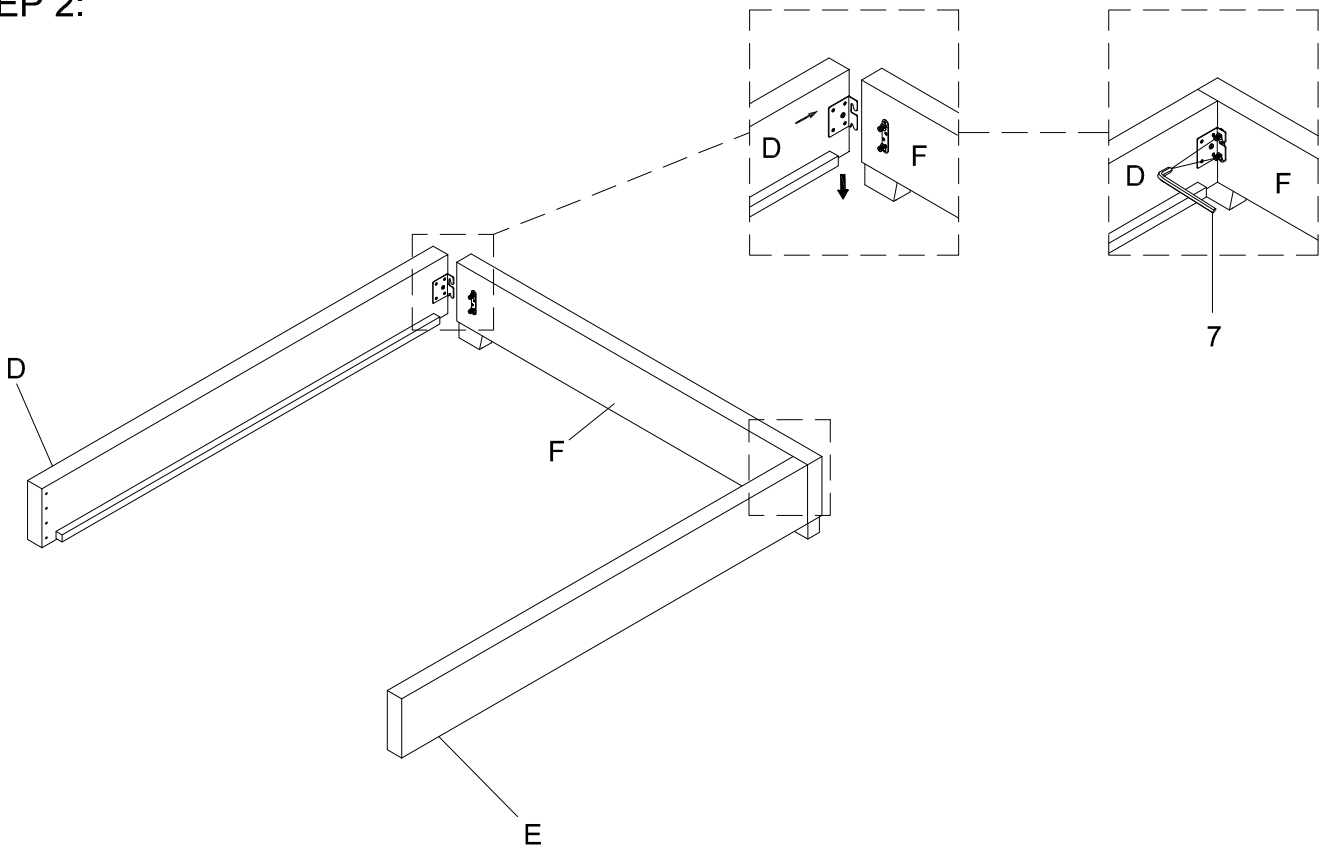
ASSEMBLING INSTRUCTIONS

ITEM NO.: 2399F-1 Full Bed
 2399-1 Queen Bed
 2399K-1EK EK Bed
 2399K-1CK CK Bed

STEP 1:



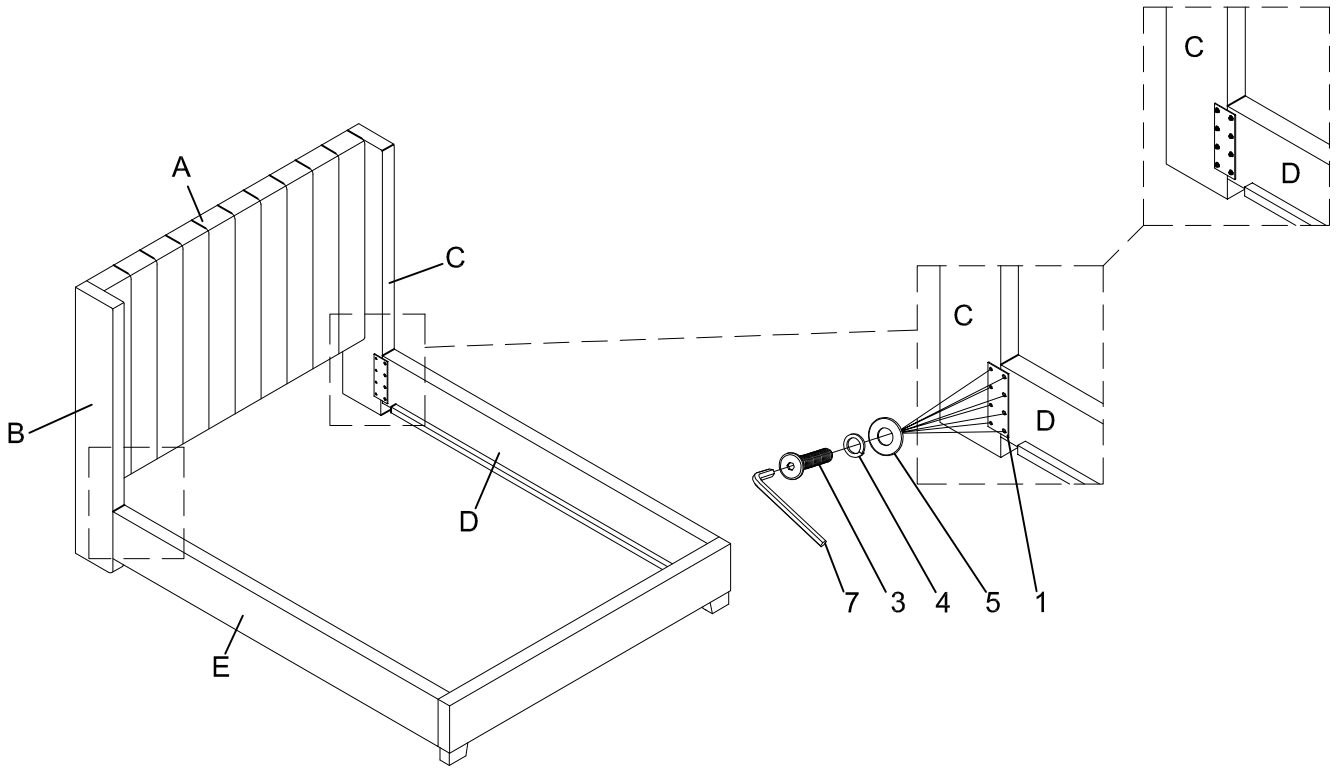
STEP 2:



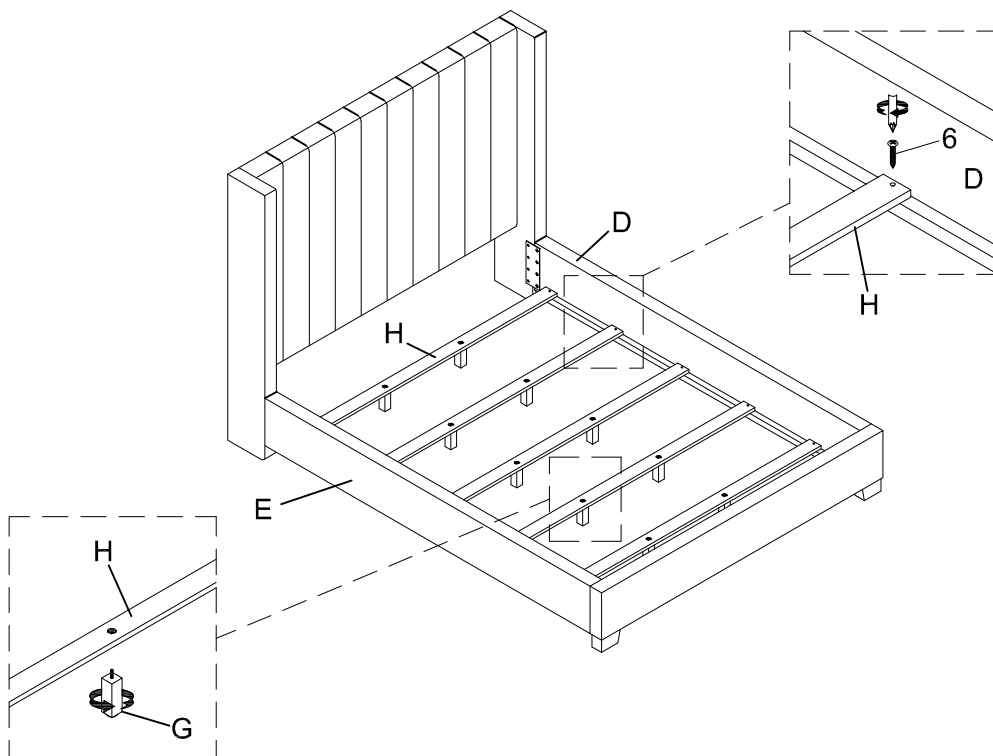
ASSEMBLING INSTRUCTIONS

ITEM NO.: 2399F-1 Full Bed
 2399-1 Queen Bed
 2399K-1EK EK Bed
 2399K-1CK CK Bed

STEP 3:



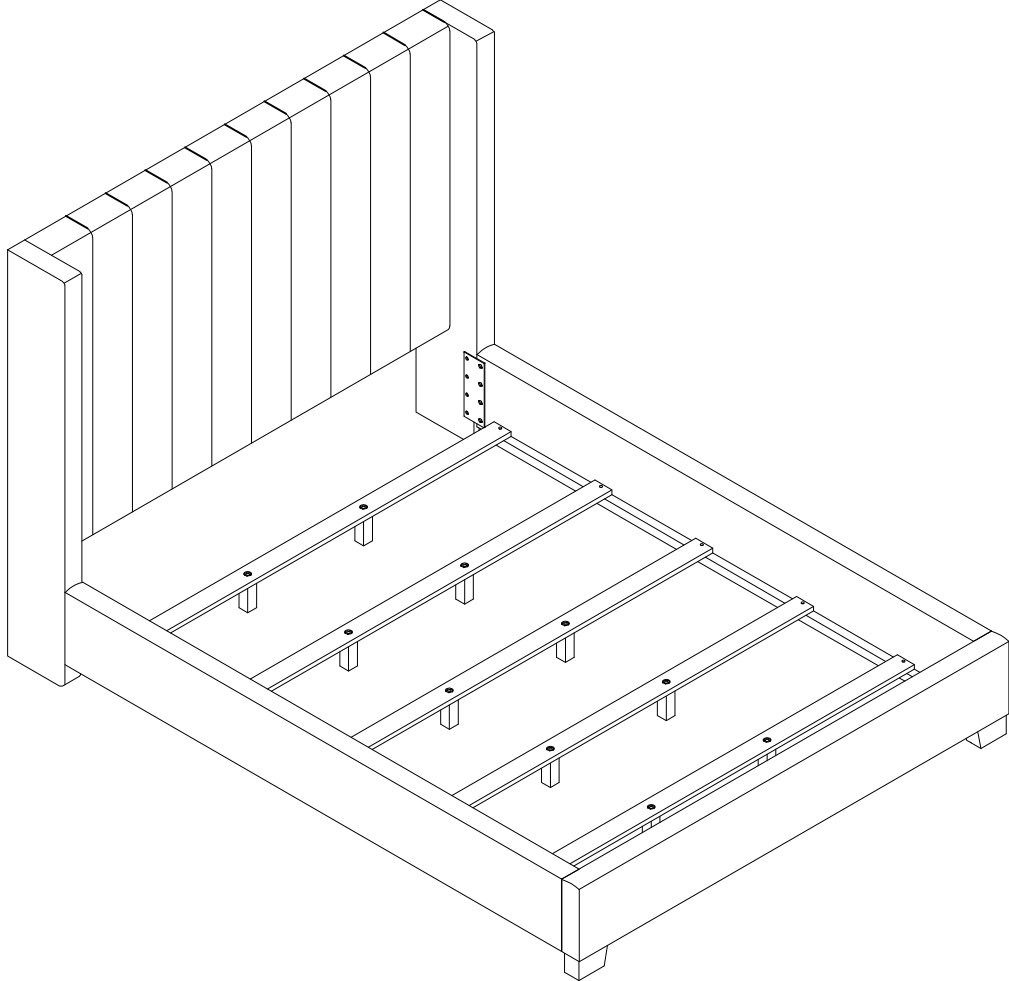
STEP 4:



ASSEMBLING INSTRUCTIONS

ITEM NO.: 2399F-1 Full Bed
2399-1 Queen Bed
2399K-1EK EK Bed
2399K-1CK CK Bed


COMPLETE



Care Instruction for Textured Fabric Furniture

In order to maintain the original appearance of your Textured Fabric furniture, please follow below simple care procedures:

- Avoid exposing furniture directly to sunlight or heating and air conditioning outlets. Sunlight and or exposure to heating and air conditioning outlets will fade / damage Textured Fabric.
- Vacuum or wipe with a soft cloth to remove dust.
- Hardware may loosen over time. Periodically check to make sure all connection are tight, Re-tighten if necessary

 For item use on wooden floor,hard surfaces or carpets,it is recommended to install protective pads under all legs and supports to avoid/prevent from damages/scratches and discoloration.