



# ASSEMBLY INSTRUCTION

## ITEM NO:8315DBR/BLK-2LCNSPW

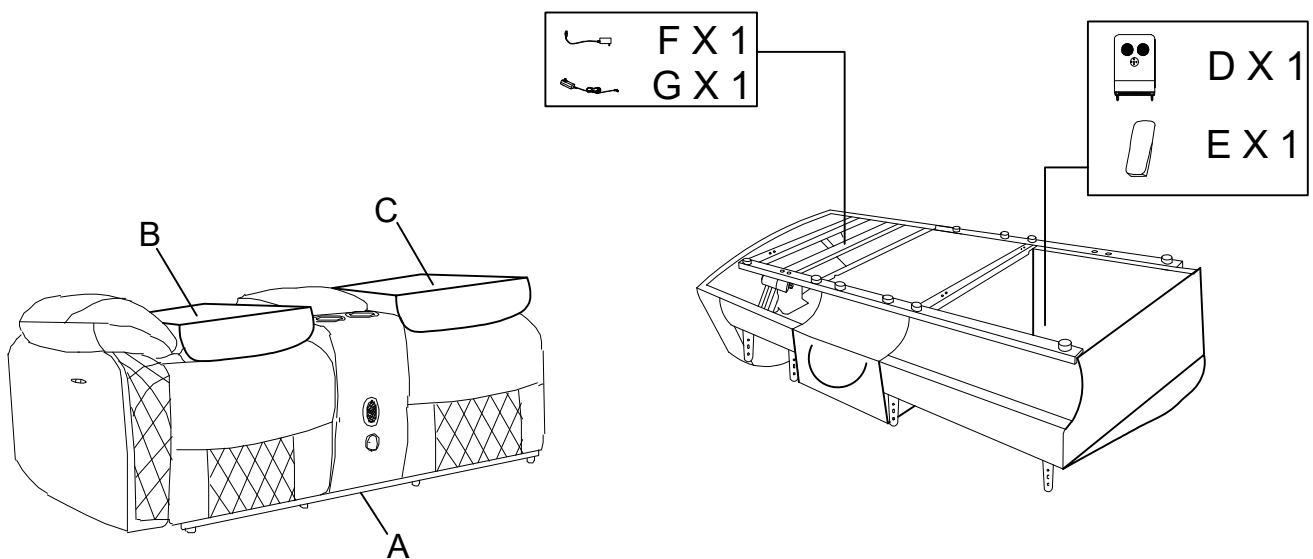
(1/3) Left Side Power Reclining Love Seat with Center Console, Speakers, Subwoofer, LED Lighting and Charging Port



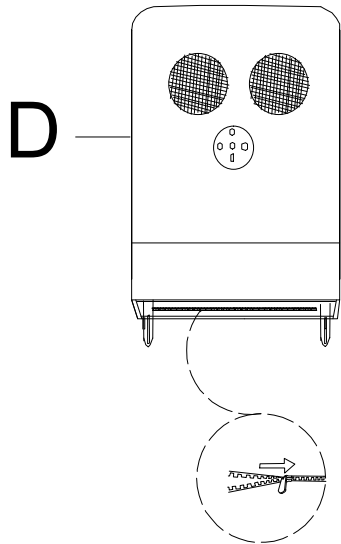
**NOTE:** Do not use power tools for assembly. Power tools increase the risk of over tightening which lead to splitting or cracking the wood.

### PART LISTS

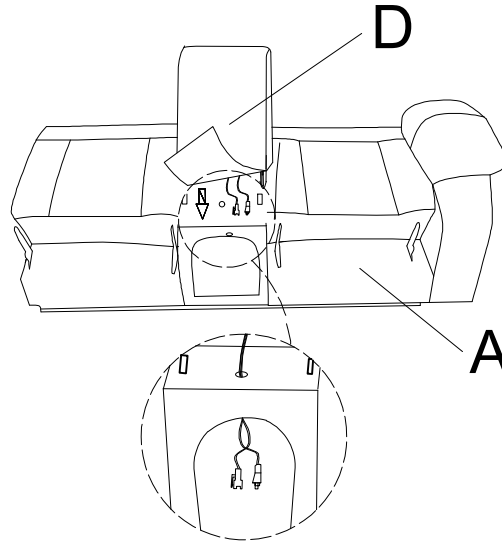
NO.	DRAWING	DESCRIPTION	QTY	NO.	DRAWING	DESCRIPTION	QTY
A		SEATING	1 PC	D		CONSOLE BACKREST	1 PC
B		LSF BACKREST	1 PC	E		LSF EAR	1 PC
C		RSF BACKREST	1 PC	F		SPEAKER ADAPTER	1 PC
				G		CHAIR ADAPTER	1 PC



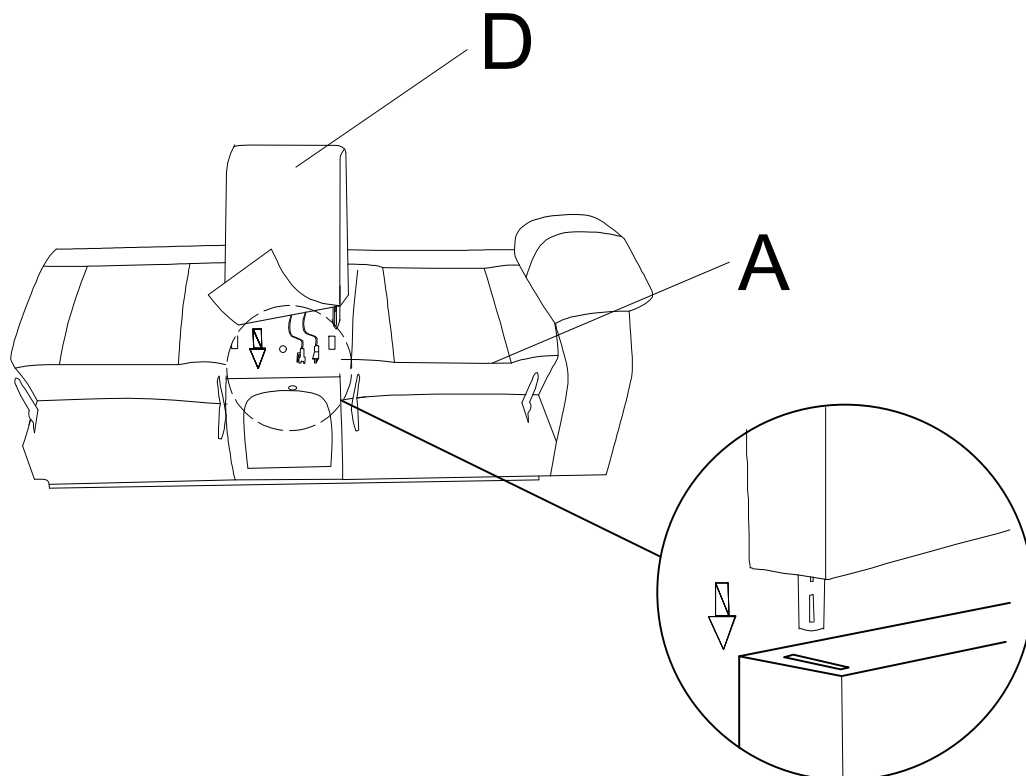
**STEP 1:** Take out the cords in the console backrest bottom by zipper



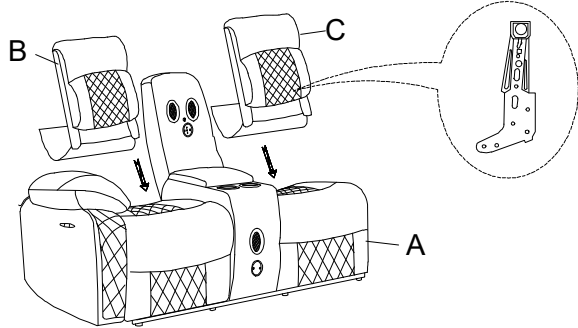
**STEP 2:** Pull the cords go through the console backrest hole from the top and plug them each other.



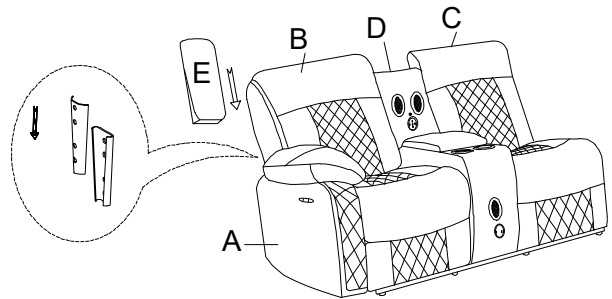
**STEP 3:** Insert the console backrest in the holes



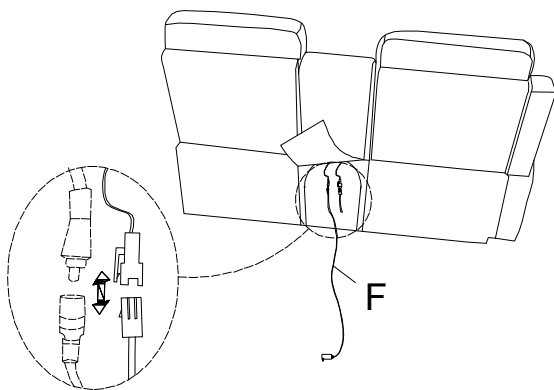
**STEP 4 : Insert LSF & RSF backrest**



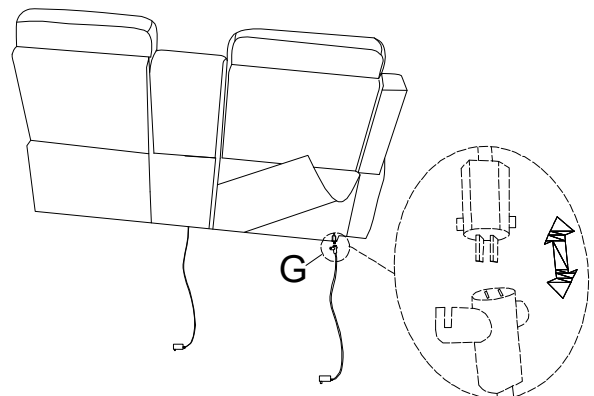
**STEP 5 : Insert the LSF ear in the LSF backrest side by metal bracket**



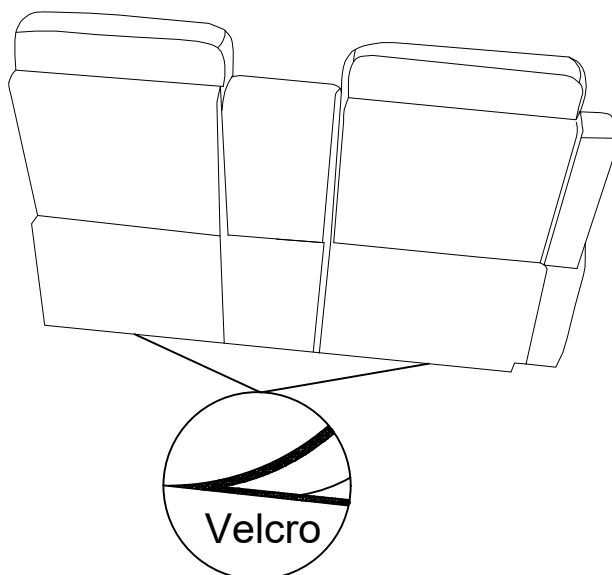
**STEP 6: Plug the cord with Speaker Adaptor**

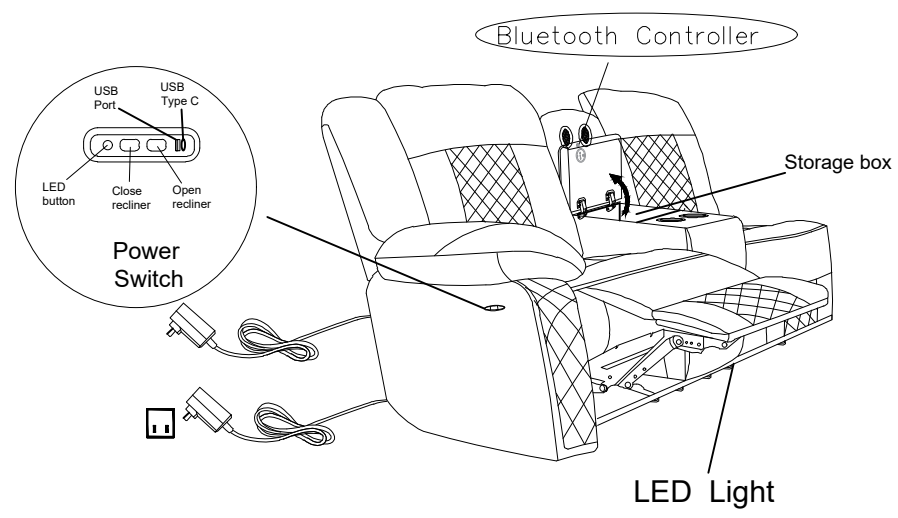
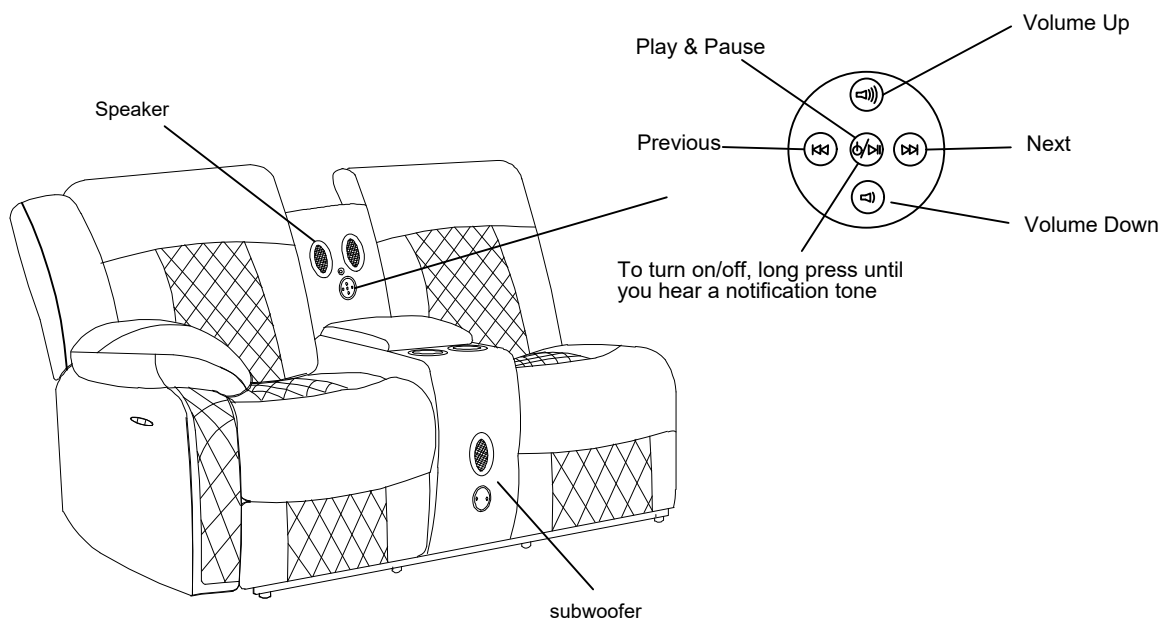


**STEP 7: Plug the cord with Mechanism Adaptor**



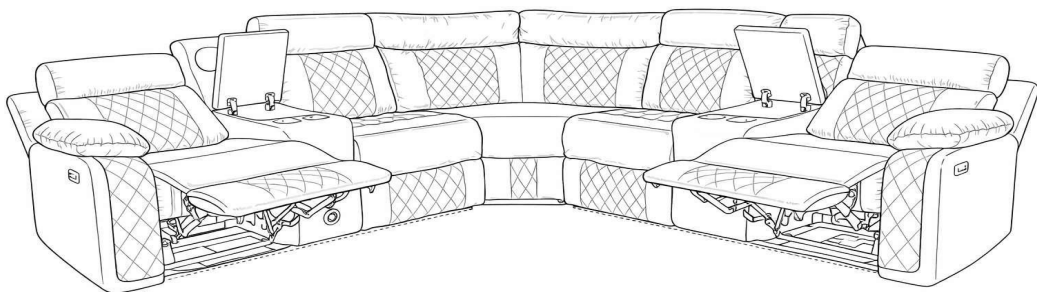
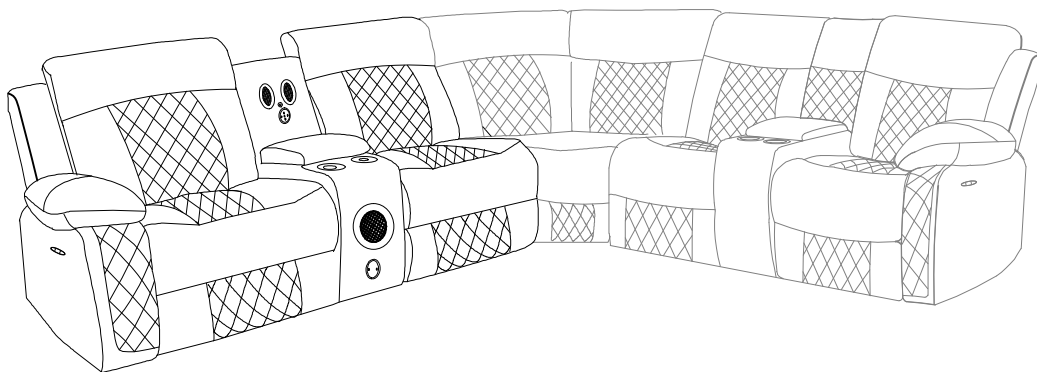
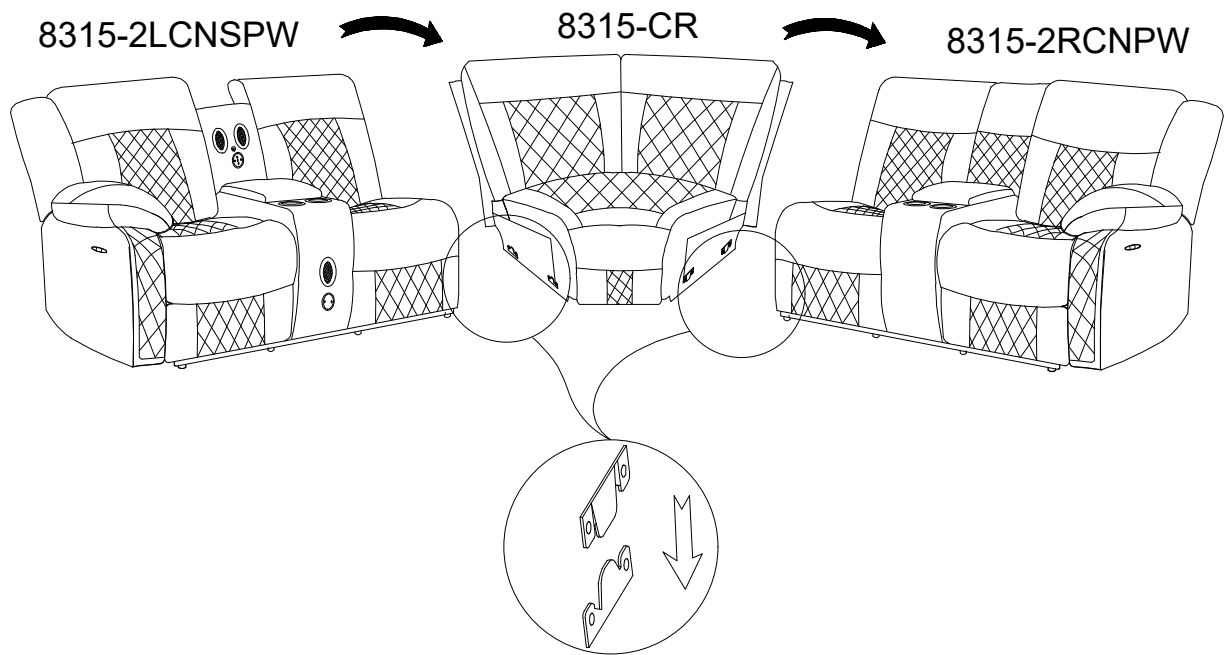
**STEP 8:**



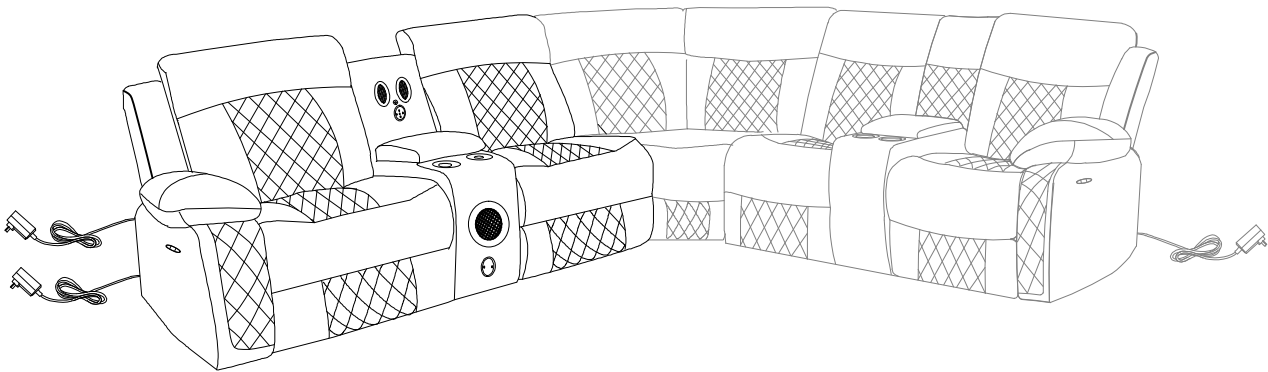


Thank you for using REMO1 Bluetooth sound system.  
 Before using this unit please read the instruction carefully.  
 This audio system is for indoor use only.  
 Do not attempt to modify, repair it, please contact store or customer service if you have any issue.  
 Trying to remove panels or repairing the unit could result electric shock, property damage and injury.  
 Please connect the unit directly to wall outlet, do not use extension cord.  
 As for how to pair Bluetooth speaker, please refer to the Instruction Manual

SECTIONAL



COMPLETED



### Care Instruction for Premium Faux Leather Furniture:

In order to maintain the original appearance of your Premium Faux Leather please follow below simple care procedures:

- . Avoid exposing furniture directly to sunlight or heating and air conditioning outlets. Sunlight and or exposure to heating and air conditioning outlets will fade/damage Premium Faux Leather.
- . Vacuum or wipe with a soft cloth to remove dust.
- . Hardware may loosen over time. Periodically check to make sure all connection are tight, Re-tighten if necessary.



For items use on wooden floor, hard surfaces or carpets, it is recommended to Install protective pads under all legs and supports to avoid/prevent from damages/scratches and discoloration.