



ASSEMBLY INSTRUCTION

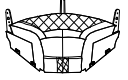


ITEM NO:8315DBR/BLK-CR

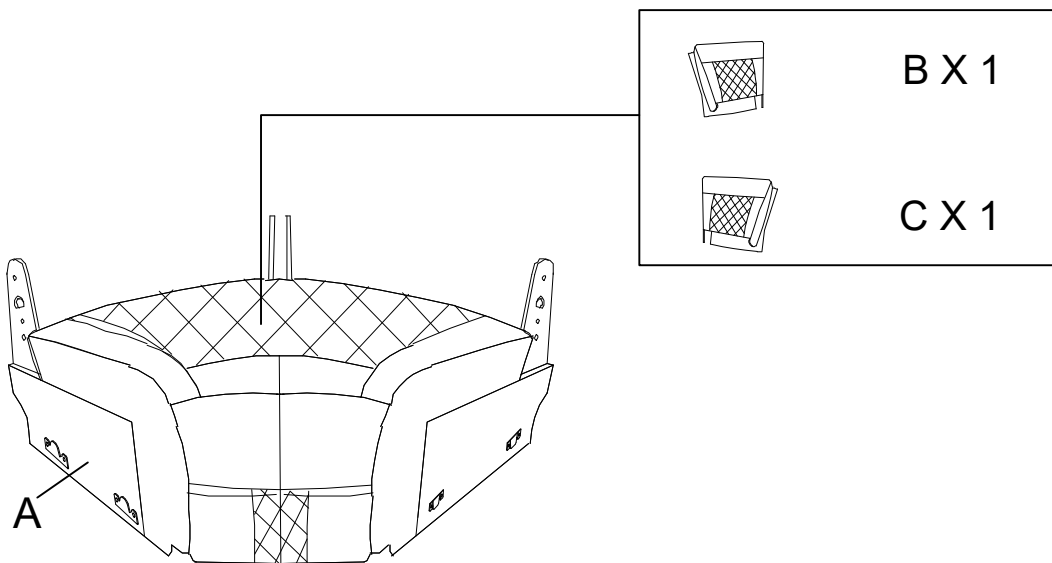
(2/3)Corner Seat



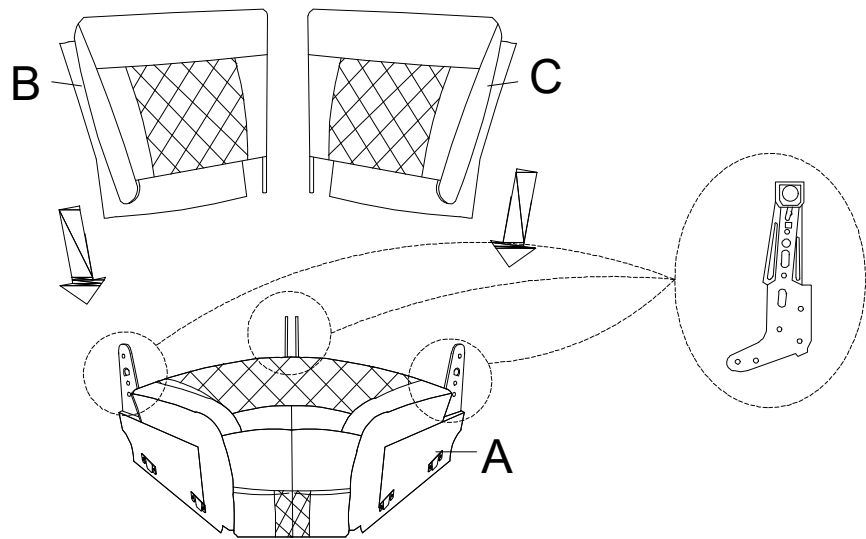
NOTE:Do not use power tools for assembly. Power tools increase the risk of over tightening which lead to splitting or cracking the wood.

PART LISTS

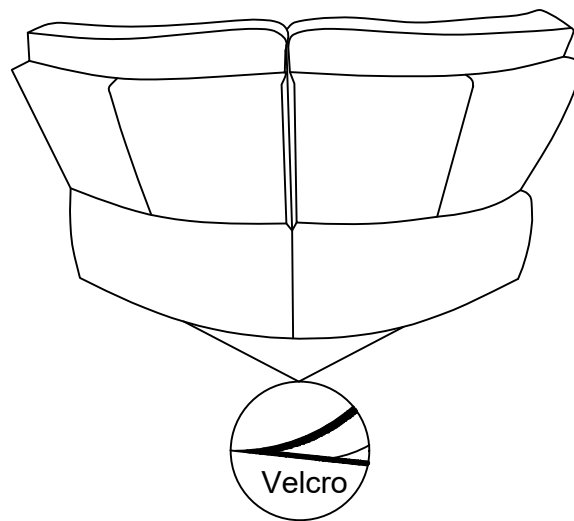
| NO. | DRAWING | DESCRIPTION | QTY | NO. | DRAWING | DESCRIPTION | QTY |
|-----|---|-----------------------|------|-----|--|------------------------|------|
| A |  | CORNER SEAT | 1 PC | C |  | CORNER RIGHT BACK REST | 1 PC |
| B |  | CORNER LEFT BACK REST | 1 PC | | | | |



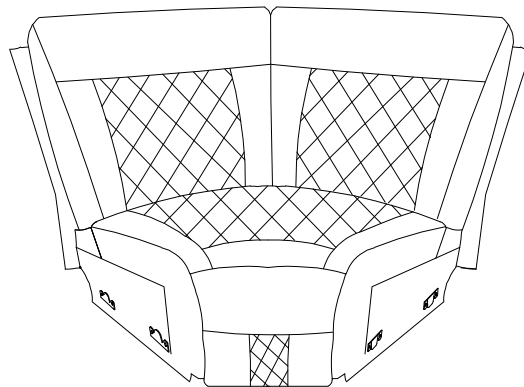
STEP 1 :



STEP 2 :



STEP 3:

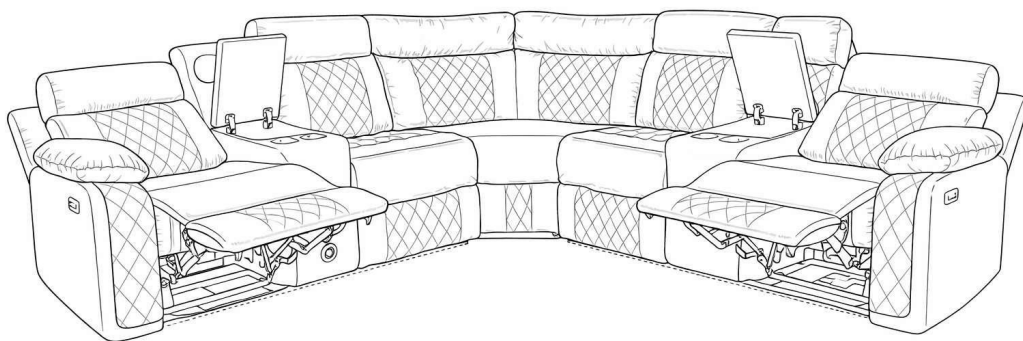
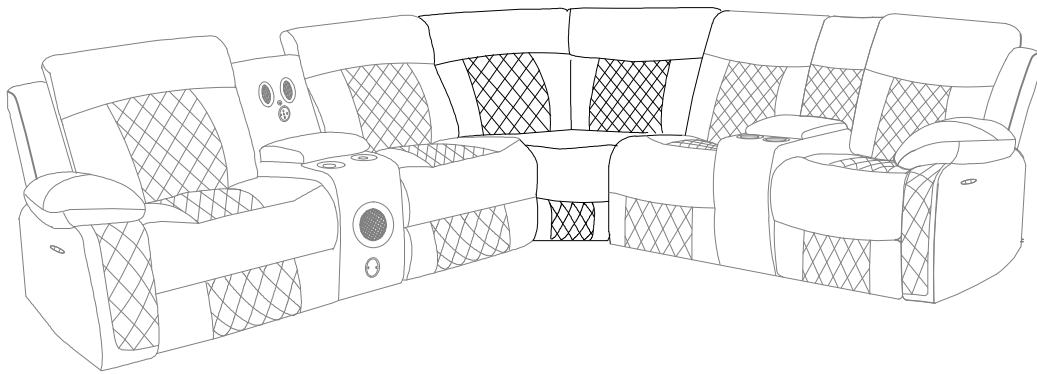
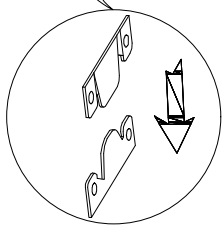
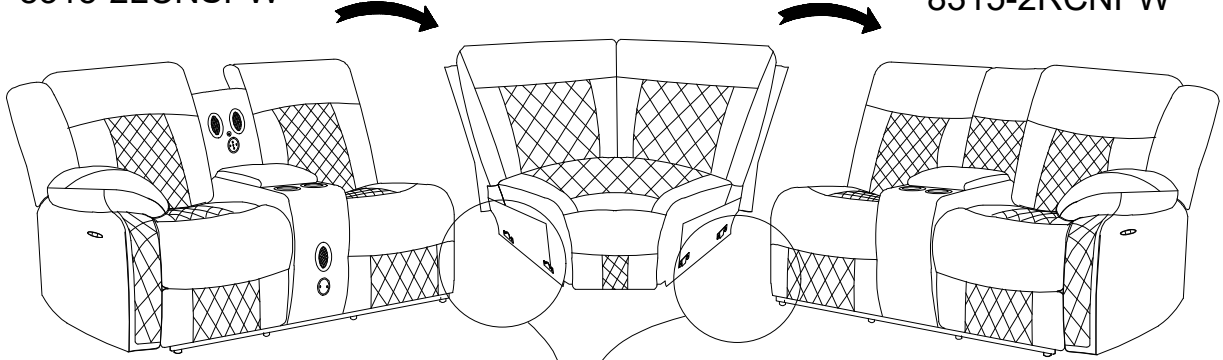


SECTIONAL

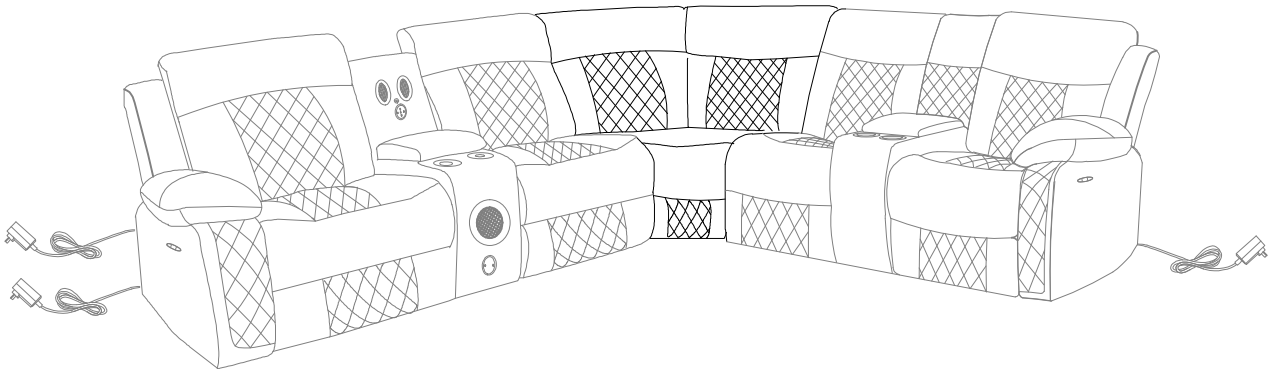
8315-2LCNSPW

8315-CR

8315-2RCNPW



COMPLETED



Care Instruction for Premium Faux Leather Furniture:

In order to maintain the original appearance of your Premium Faux Leather, please follow below simple care procedures:

- . Avoid exposing furniture directly to sunlight or heating and air conditioning outlets. Sunlight and or exposure to heating and air conditioning outlets will fade/damage Premium Faux Leather.
- . Vacuum or wipe with a soft cloth to remove dust.
- . Hardware may loosen over time. Periodically check to make sure all connection are tight, Re-tighten if necessary.



For items use on wooden floor, hard surfaces or carpets, it is recommended to Install protective pads under all legs and supports to avoid/prevent from damages/scratches and discoloration.