



ASSEMBLY INSTRUCTION

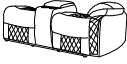



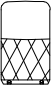

ITEM NO:8315DBR/BLK-2RCNPW

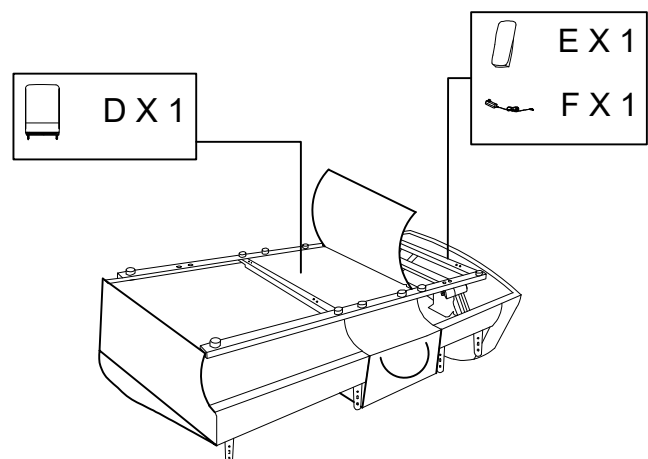
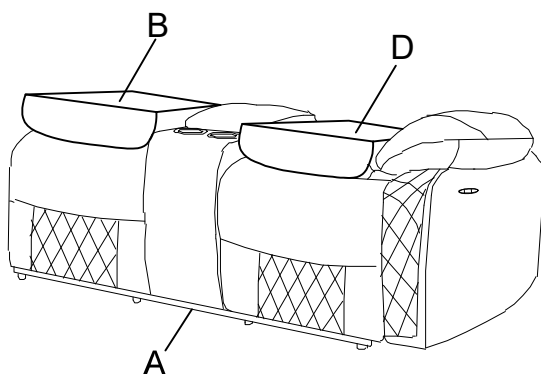
(3/3)Right Side Power Reclining Love Seat with Center Console, LED lighting and Charging Ports



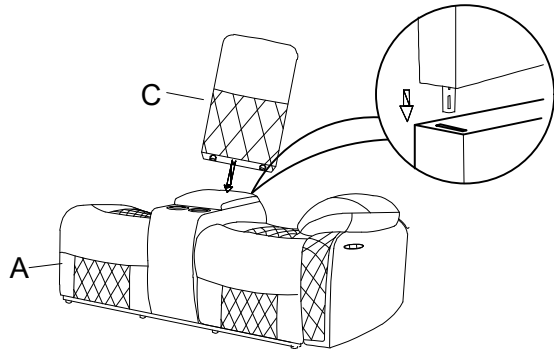
NOTE:Do not use power tools for assembly. Power tools increase the risk of over tightening which lead to splitting or cracking the wood.

PART LISTS

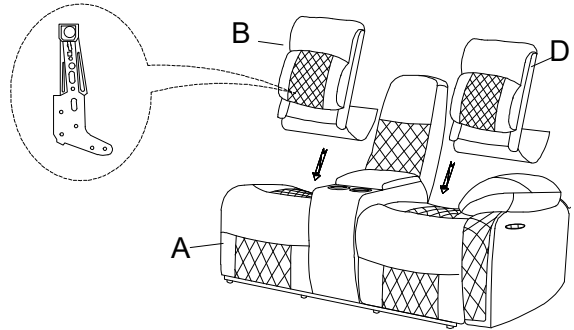
NO.	DRAWING	DESCRIPTION	QTY	NO.	DRAWING	DESCRIPTION	QTY
A		SEAT	1 PC	D		RSF BACK REST	1 PC
B		LSF BACK REST	1 PC	E		RSF EAR	1 PC
C		MIDDLE CONSOLE BACK REST	1 PC	F		CHAIR ADAPTER	1 PC



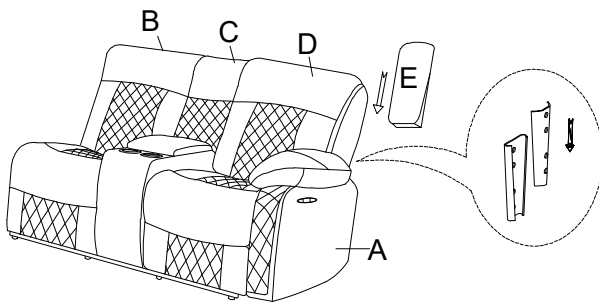
STEP 1 : Align the insert bracket with the holes



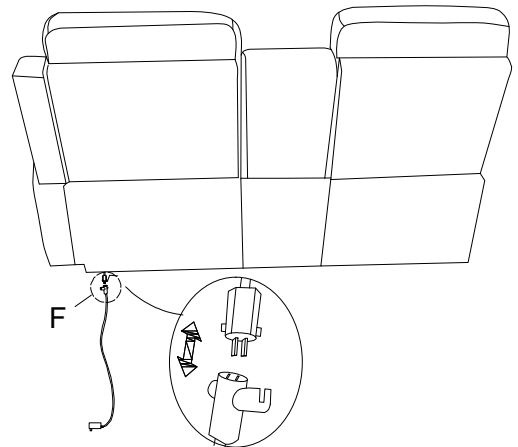
STEP 2 : Insert LSF & RSF backrest



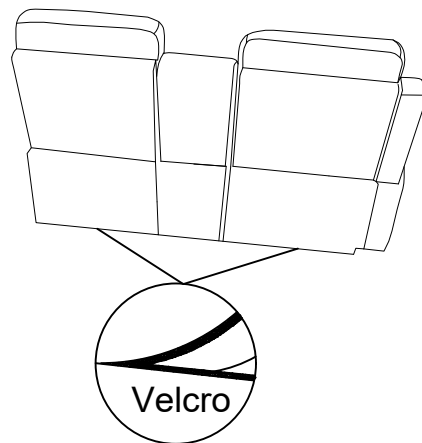
STEP 3 : Insert the RSF ear in the RSF backrest side by metal bracket



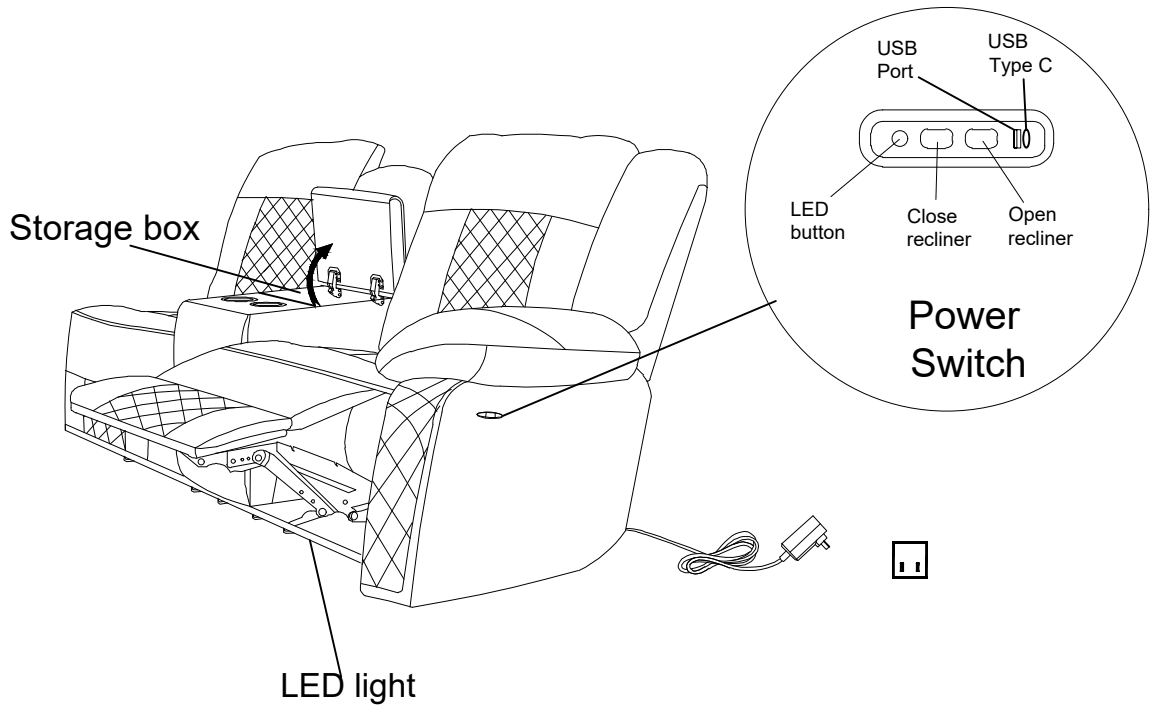
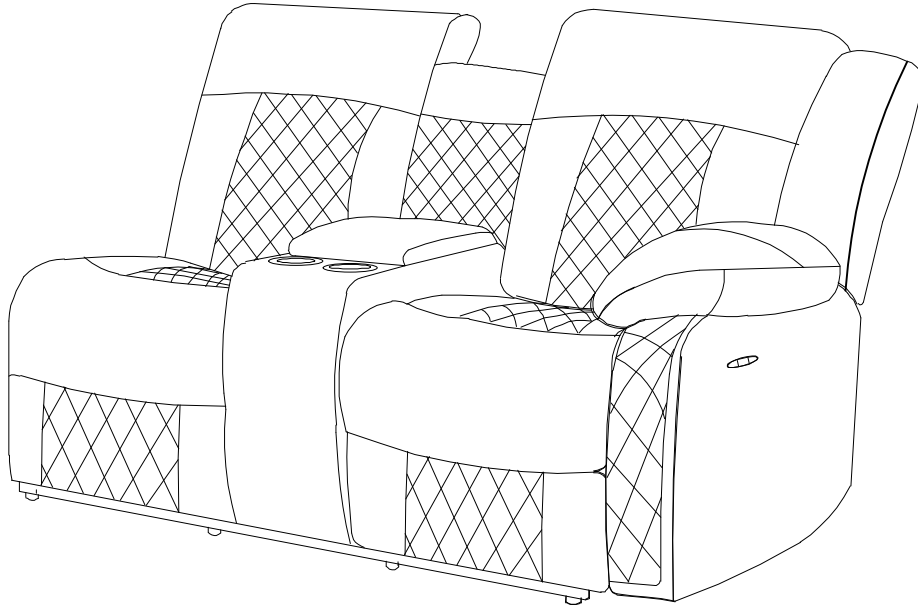
STEP 4 : Plug the Mechanism Adaptor



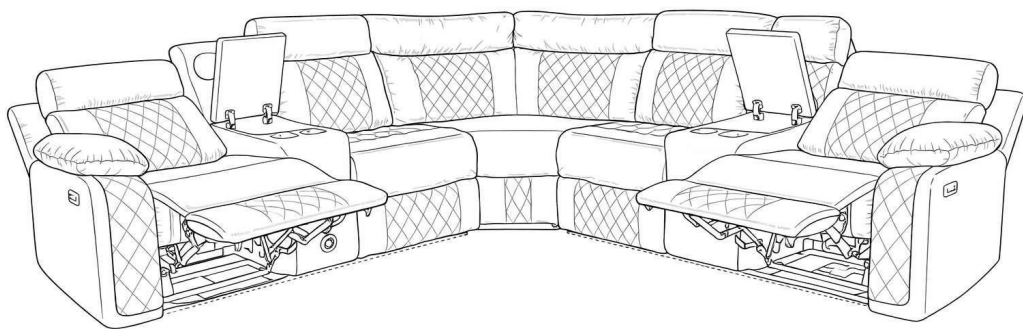
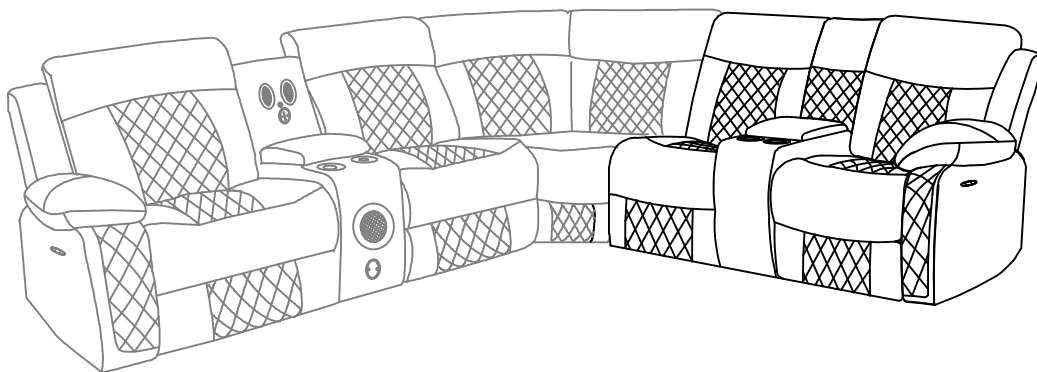
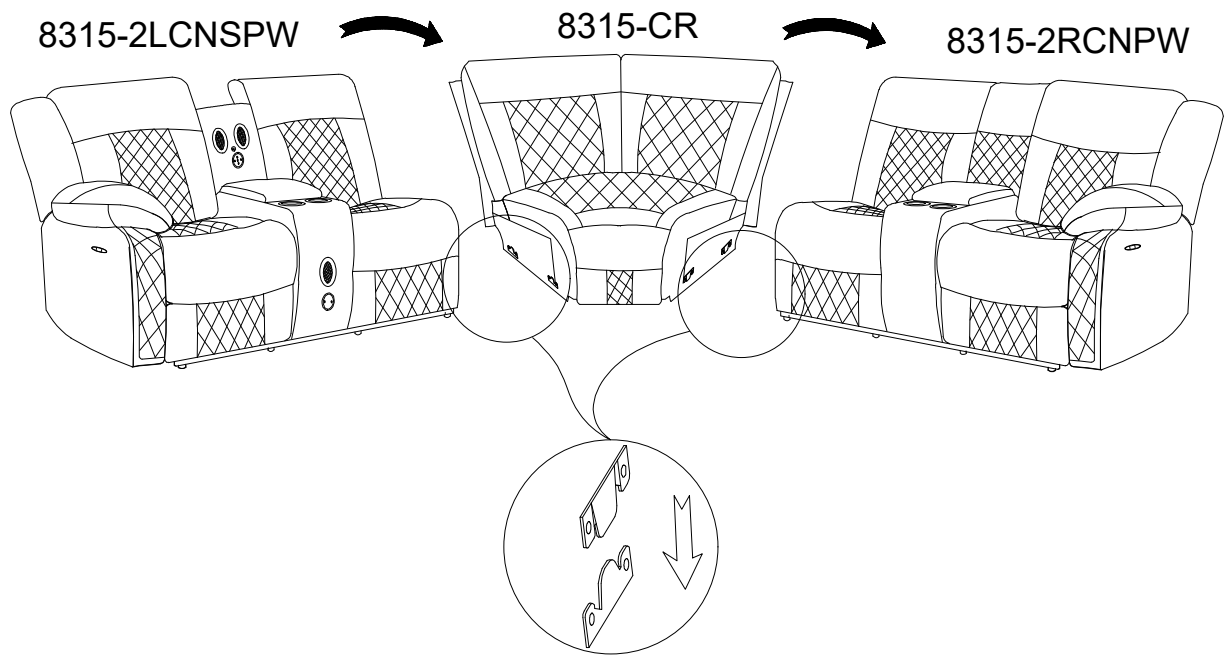
STEP 5 :



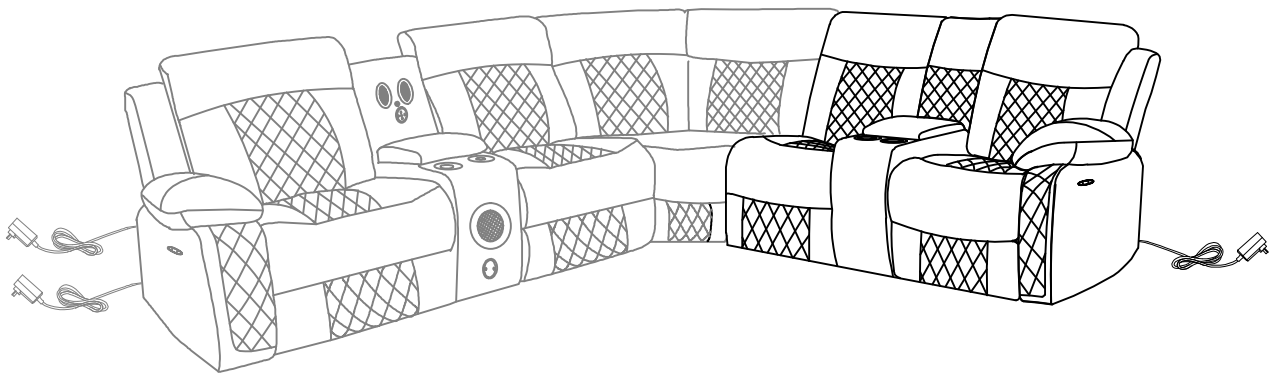
STEP 6:



SECTIONAL



COMPLETED



Care Instruction for Premium Faux Leather Furniture:

In order to maintain the original appearance of your Premium Faux Leather please follow below simple care procedures:

- . Avoid exposing furniture directly to sunlight or heating and air conditioning outlets. Sunlight and or exposure to heating and air conditioning outlets will fade/damage Premium Faux Leather.
- . Vacuum or wipe with a soft cloth to remove dust.
- . Hardware may loosen over time. Periodically check to make sure all connection are tight, Re-tighten if necessary.



For items use on wooden floor, hard surfaces or carpets, it is recommended to Install protective pads under all legs and supports to avoid/prevent from damages/scratches and discoloration.