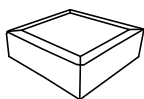


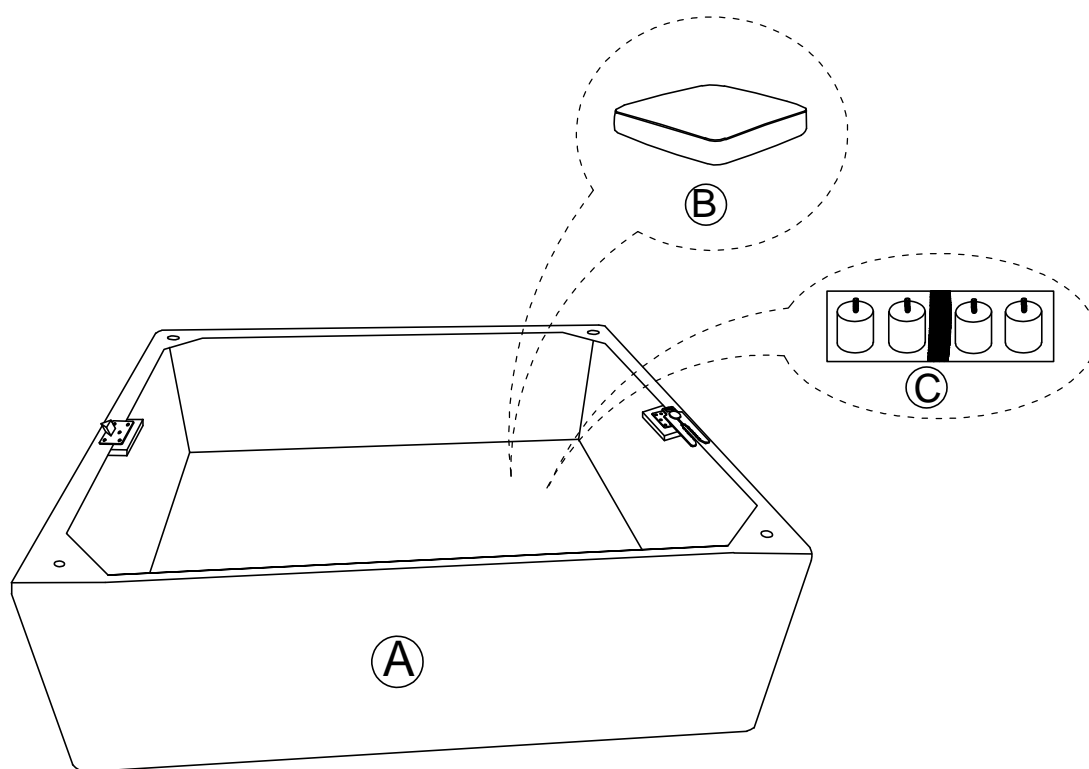


ASSEMBLY INSTRUCTION

ITEM NO: 8338BE-4/ 8338TG-4 OTTOMAN

NO.	PARTS LIST	QTY	DESCRIPTION
A		1	Seat Frame
B		1	Seat Cushion
C		4	Wooden Leg

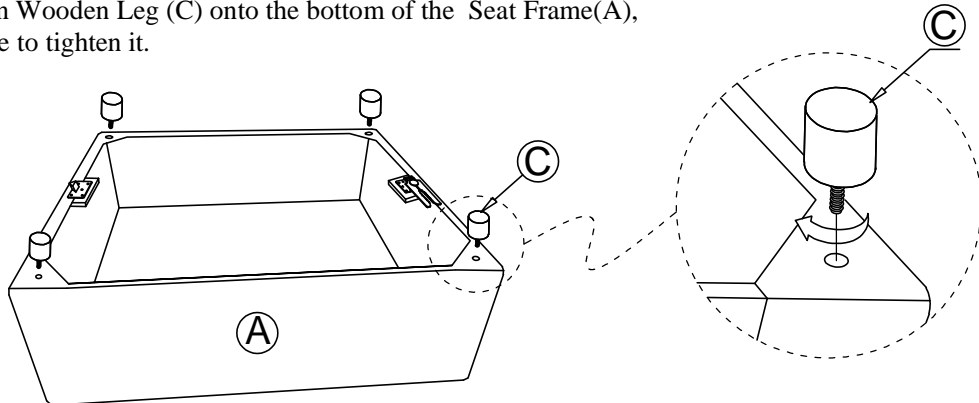
STEP 1: Take out Seat Cushion(B), Wooden Leg(C).



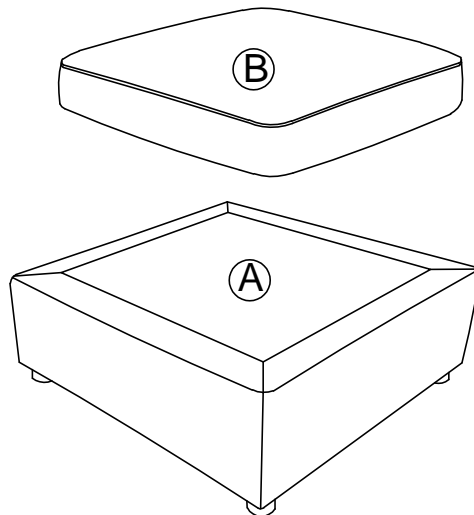
ASSEMBLY INSTRUCTION

ITEM NO: 8338BE-4/ 8338TG-4 OTTOMAN

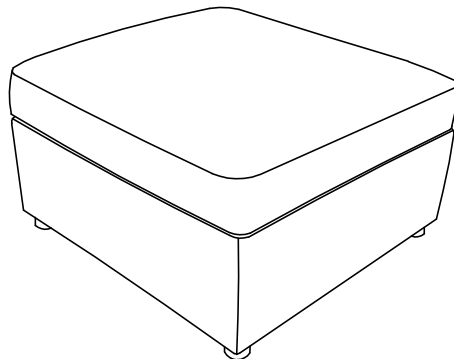
STEP 2: Align Wooden Leg (C) onto the bottom of the Seat Frame(A), rotate to tighten it.



STEP 3: Put Seat Cushion(B) on the Seat Frame(A).



STEP 4: Completed



CARE INSTRUCTION FOR FABRIC FURNITURE

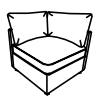


In order to maintain the original appearance of your fabric furniture, please follow below simple care procedures.

°Avoid exposing furniture directly to sunlight or heating and air conditioning outlets. Exposure to sunlight or heating and air conditioning outlets will fade/damage fabric.

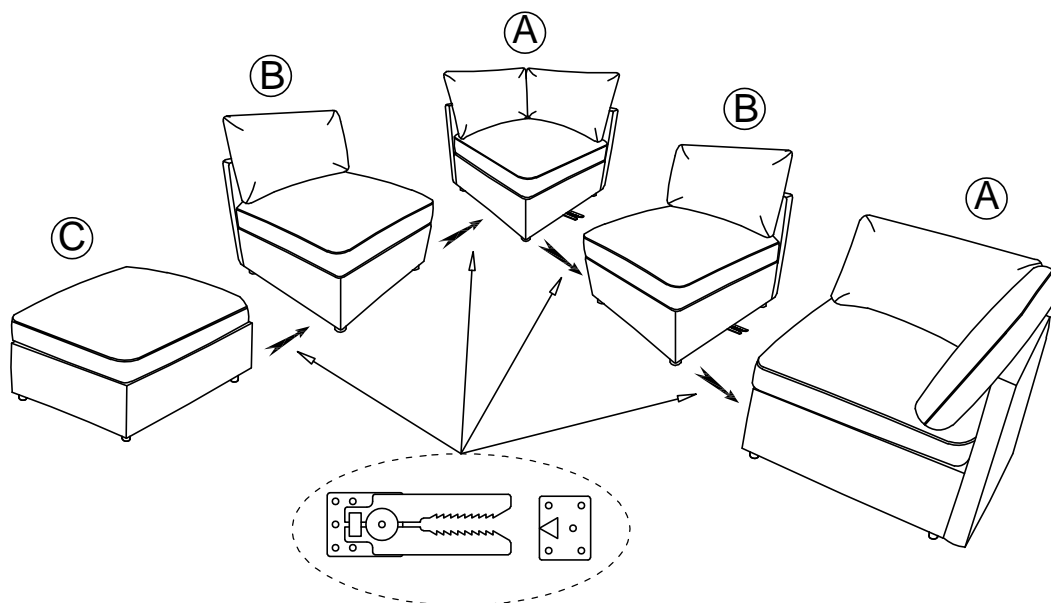
°Wipe gently with a damp soft cloth to remove dust, dirt and any grime build up.

ASSEMBLY INSTRUCTION

ITEM NO: 8338BE-4/ 8338TG-4 OTTOMAN

NO.	PARTS LIST	QTY	DESCRIPTION
A		2	CR-Corner Seat
B		2	AC-Armless Chair
C		1	4-Ottoman

STEP 5: Sectional connection by placing (B) into piece (A) Continue sectional connection with piece (C) and (B) the same method.



STEP 6: Completed

