



ASSEMBLY INSTRUCTIONS

ITEM NO:8390-1 CHAIR, 1 PILLOW

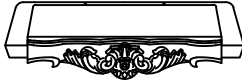
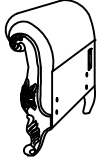
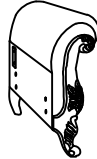

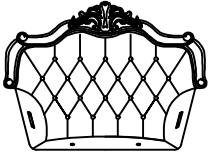
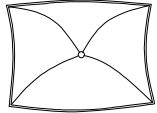
Thank you for being our valued customer. Be sure to check all packing materials carefully for small parts which may have come loose inside the carton during shipment. Identify and count all items and compare them with the parts list below.

CAUTION: Read the Instructions carefully before assembly.




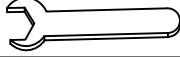



1. We recommend that you assemble this product with the assistance of another person to eliminate the risk of injury to the product during assembly.

2. When you want to reposition the product, please always "LIFT & MOVE".

NOTE: Do not use power tools for assembly. Power tools increase the risk of over tightening which leads to splitting or cracking the wood.

PARTS LIST			
NO.	DESCRIPTION	SKETCH	Q"TY(PC)
1	SEAT FRAME		1
2	LEFT ARM		1
3	RIGHT ARM		1
4	SEAT CUSHION		1
5	BACKREST (43½" x 34¼" x 9")		1
6	PILLOW (18½" x 18½" x 5¼")		1

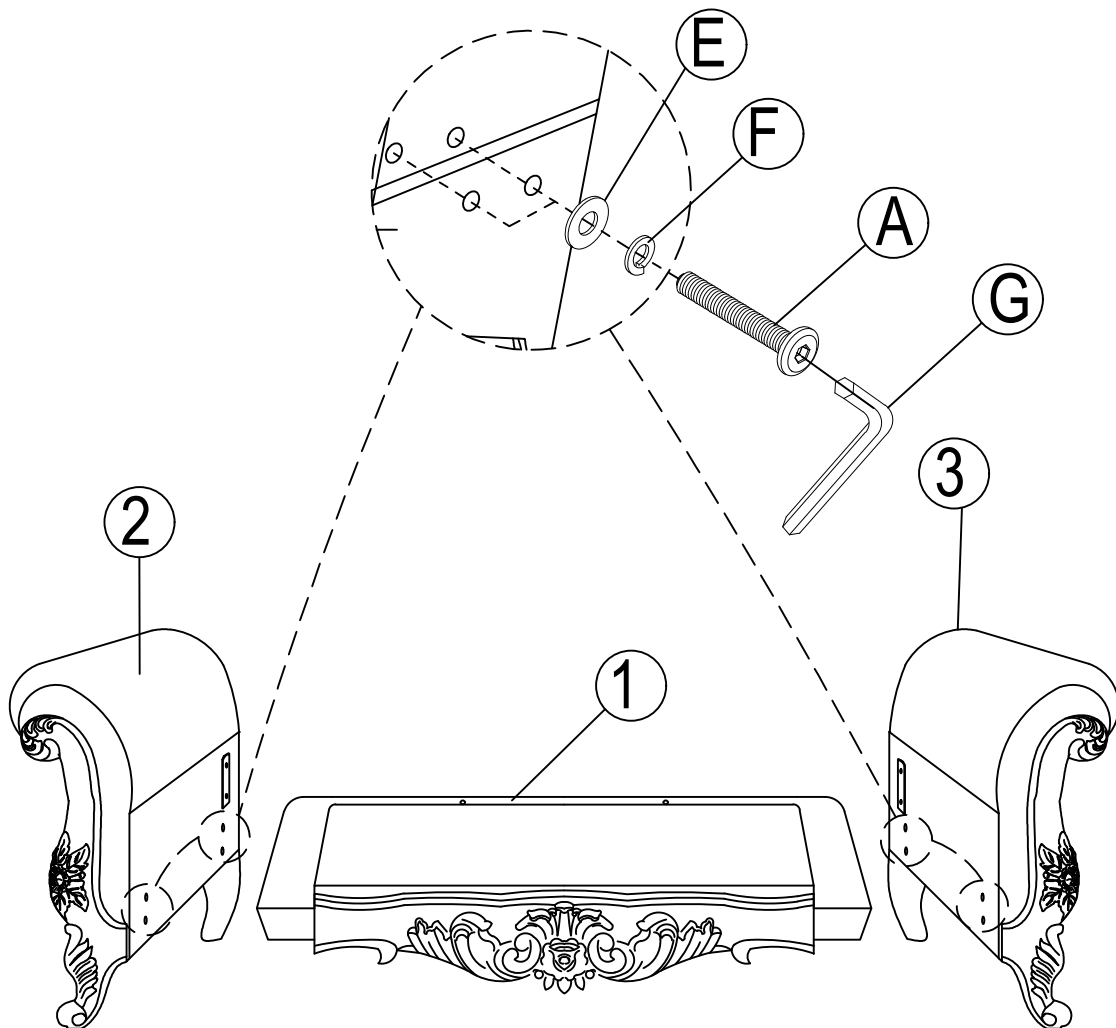
HARDWARE LIST

NO.	PART NAME	SKETCH	Q"TY(PC)
Ⓐ	BOLT Ø5/16x2 "		8
Ⓑ	THREAD BOLT Ø5/16x3¼"		2
Ⓒ	HEX NUT Ø5/16x½"		2
Ⓓ	WRENCH 1/2 x 3½		1
Ⓔ	FLAT WASHER Ø5/16"x7/8"		10
Ⓕ	LOCK WASHER Ø5/16"x1/2"		10
Ⓖ	ALLEN KEY Ø5 x16"		1

How to assemble:

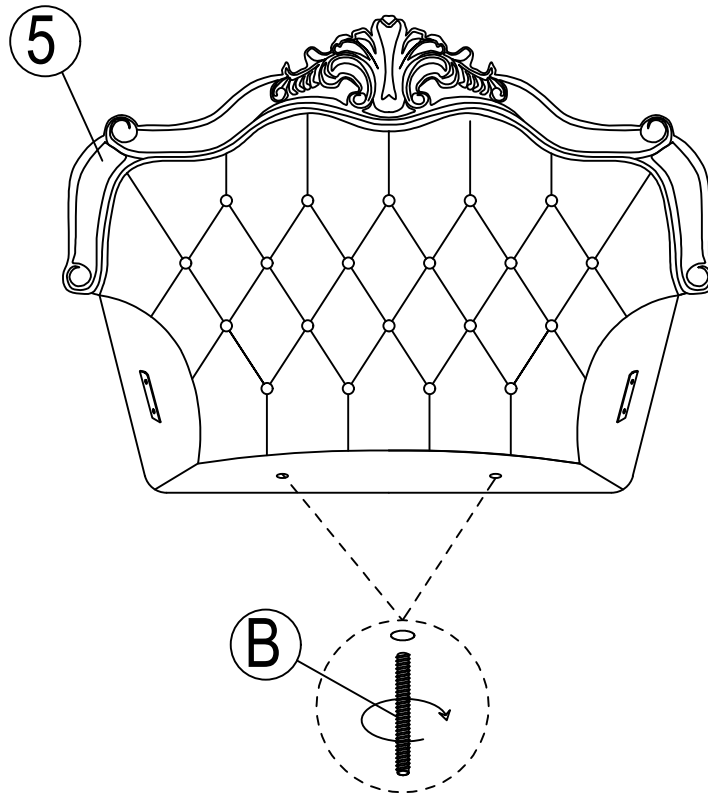
STEP 1:

Lay the seat frame (1) on its side to reach the holes to secure the bolts for the arms. Align and assemble the Left arm (2) and Right arm (3) to the seat frame (1) by using the Allen Key (G) with hardware A, E, and F.



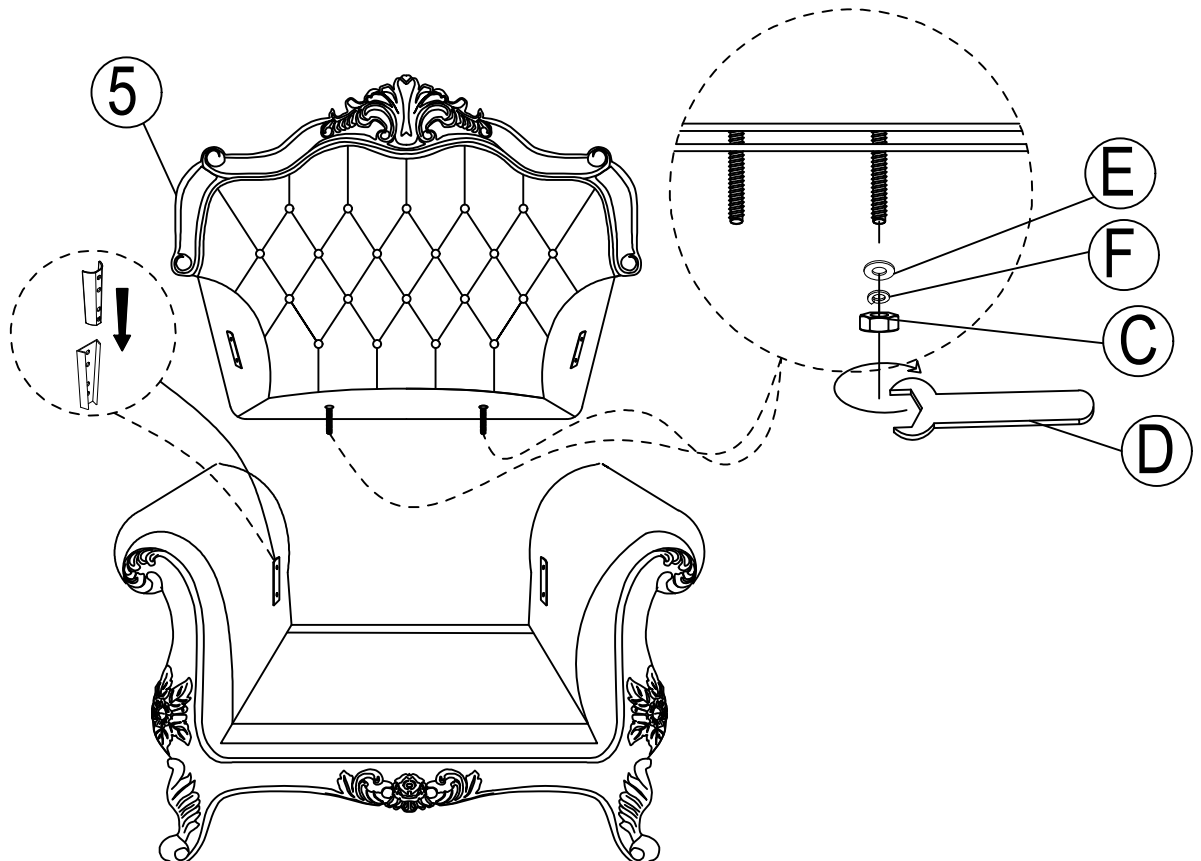
STEP 2:

Place the backrest (5). Install the thread bolt (B) into the hole on the bottom of the backrest (E) by using your hands to rotate the bolt about 25 mm into the backrest (5).



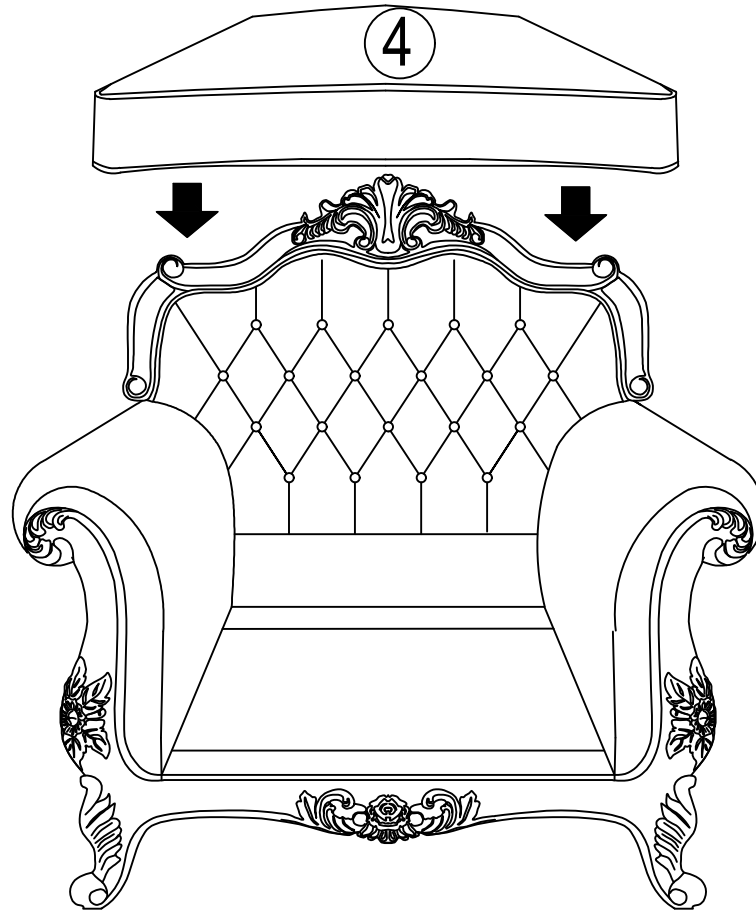
STEP 3:

Attach backrest (5) to the Left arm (2) and Right arm (3) by sliding in the backrest all the way until it is secured and using bolt (B) with washer (F) and flat washer (E) and hex nut (C) securing with wrench (D).

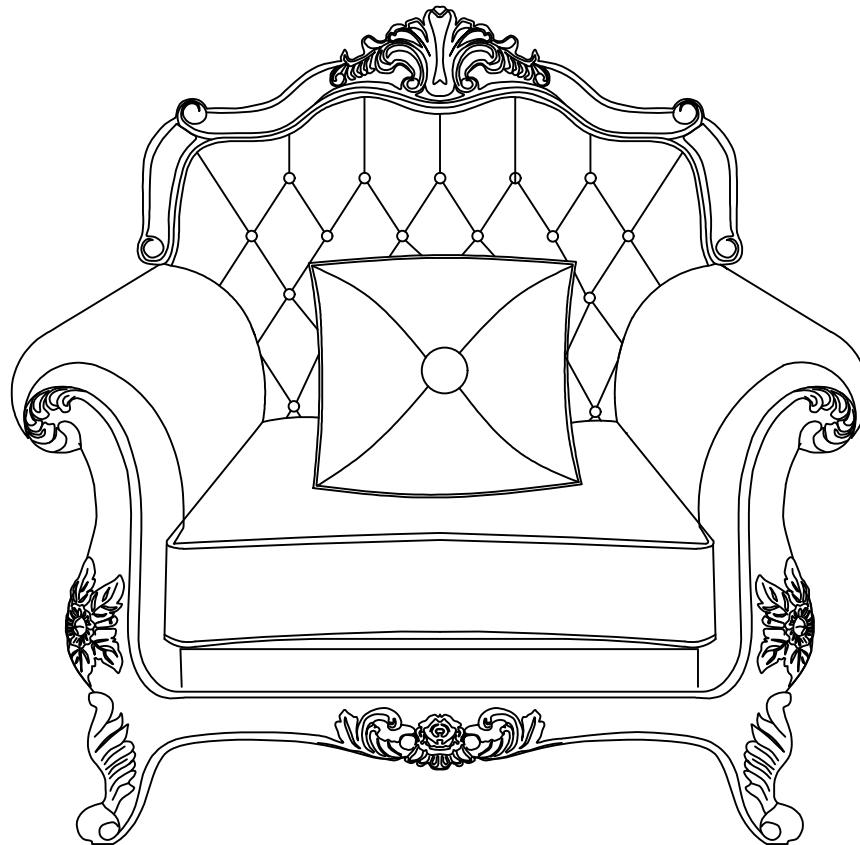


STEP 4:

Place the seat cushion (4) on to the seat frame (1).



COMPLETE :



CARE INSTRUCTION FOR POLYESTER:

In order to maintain the original appearance of your polyester furniture, please follow below simple care procedure:

- Avoid exposing furniture directly to sunlight or heating and air conditioning outlets. Exposure to sunlight or heating and air conditioning outlets will fade/damage polyester.
- Wipe gently with a damp soft cloth to remove dust, dirt and any grime build up.
- Hardware may loosen over time. Periodically check to make sure all connections are tight. Re-tighten if necessary.