

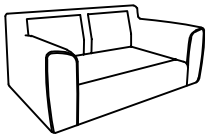

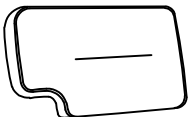
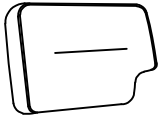
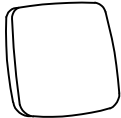

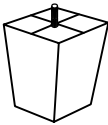


Assembly Instruction

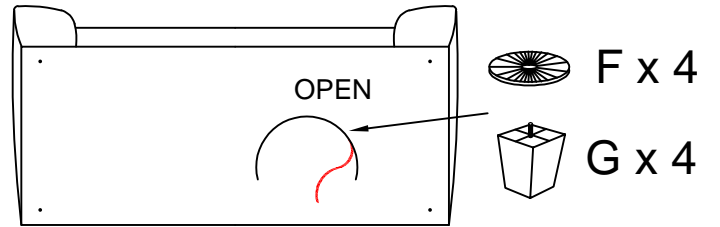
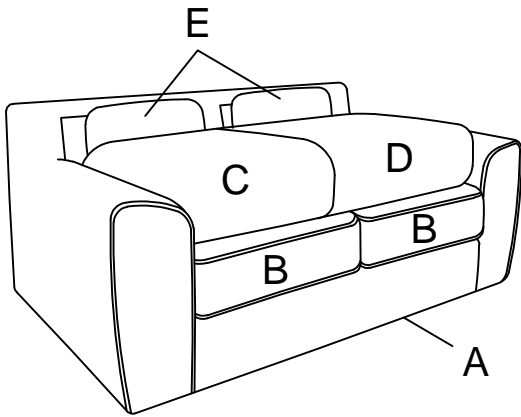
ITEM NO.: 8416BU/GY-2
Love Seat (With 2 Pillows)

Note: Do not use power tools for assembly. Power tools increase the risk of over tightening which lead to splitting or cracking the wood.

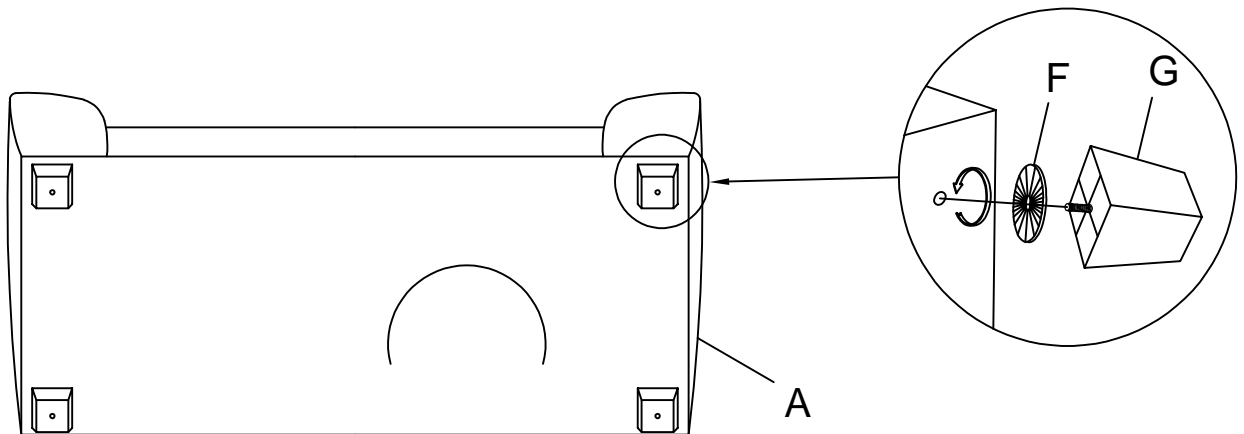
Component list

No		Qty	Description
A		1	SEAT
B		2	SEAT CUSHION
C		1	LSF BACK CUSHION
D		1	RSF BACK CUSHION
E		2	PILLOW (18"x18")
F		4	PLASTIC GASKET
G		4	WOONDEN LEG (100*100*110mm)

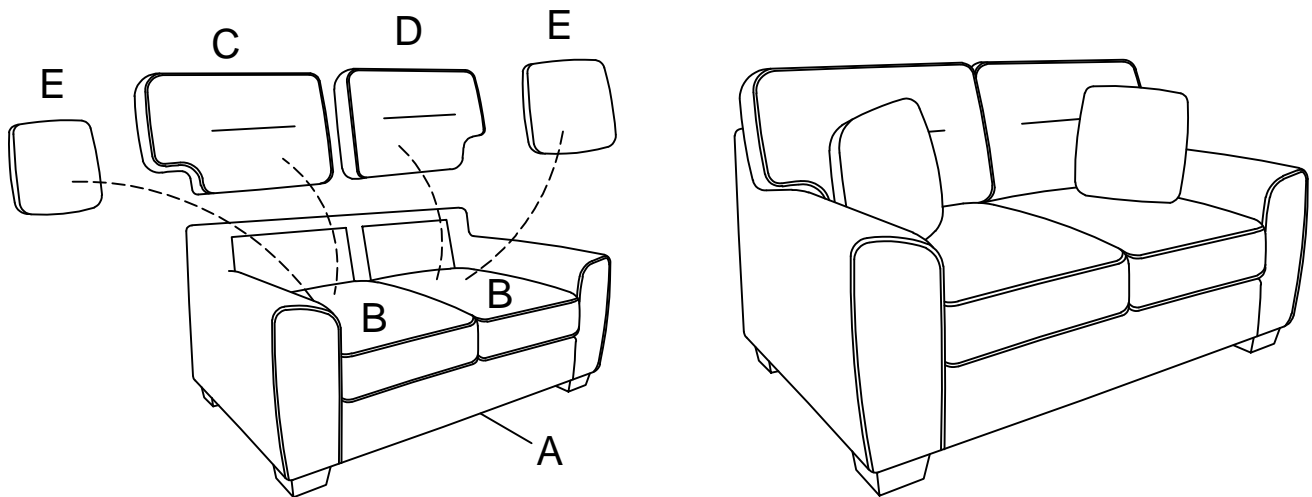
Step #1



Step #2



Step #3



Care Instruction for Chenille Furniture:

In order to maintain the original appearance of your Chenille Furniture, please follow below simple care procedures:

- Avoid exposing furniture directly to sunlight or heating and air conditioning outlets. Sunlight and or exposure to heating and air conditioning outlets will fade/damage Chenille.
- Vacuum or wipe with a soft cloth to remove dust.
- Hardware may loosen over time. Periodically check to make sure all connection are tight, Re-tighten if necessary.



For items use on wooden floor, hard surfaces or carpets, it is recommended to Install protective pads under all legs and supports to avoid/prevent from damages/scratches and discoloration.