

H O M E L E G A N C E

ASSEMBLY INSTRUCTION

ITEM NO.: 8477BEG-A

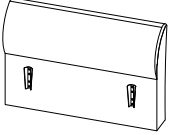
Two Arms






Legs and hardware are stored in chaise storage, please take out for assembly.

Note: Do not use power tools for assembly. Power tools increase the risk of over tightening which lead to Splitting or cracking the wood.

COMPONENT LIST

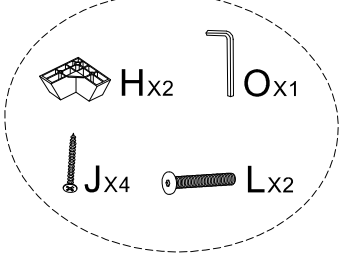
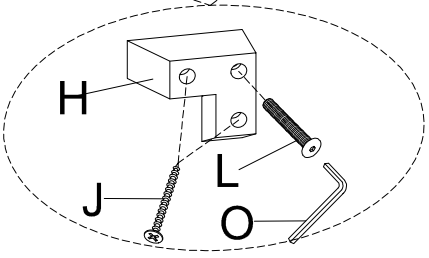
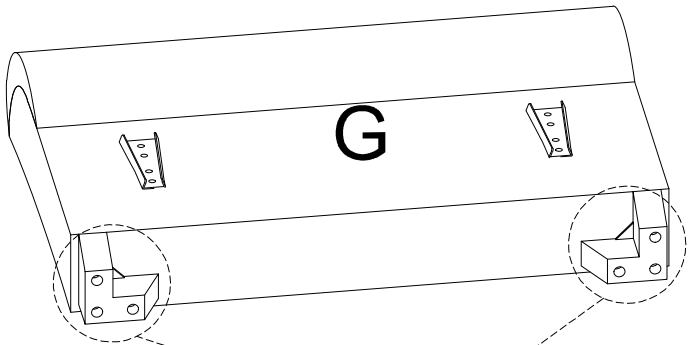
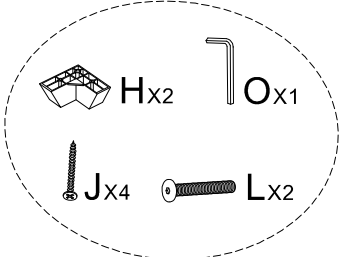
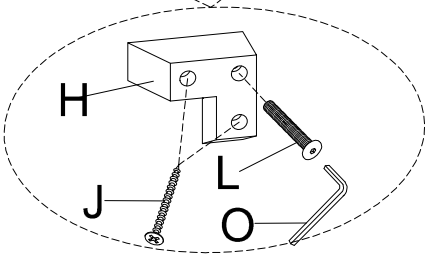
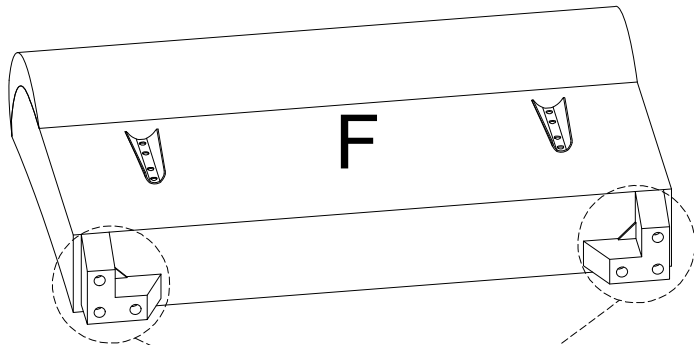
No	Drawing	Qty	Description
F		1	R RSF ARM
G		1	L LSF ARM
H		4	Plastic LEGS 4"x4"x2" (PACKED IN 8477-VC)

HARDWARE LIST (PACKED IN 8477BEG-VC)

No	Drawing	Qty	Description
J		8	SCREW Ø1/5*2"
L		4	BOLT 5/16"*2 3/8"
O		1	ALLEN KEY

ASSEMBLY INSTRUCTION

ITEM NO.: 8477BEG-A



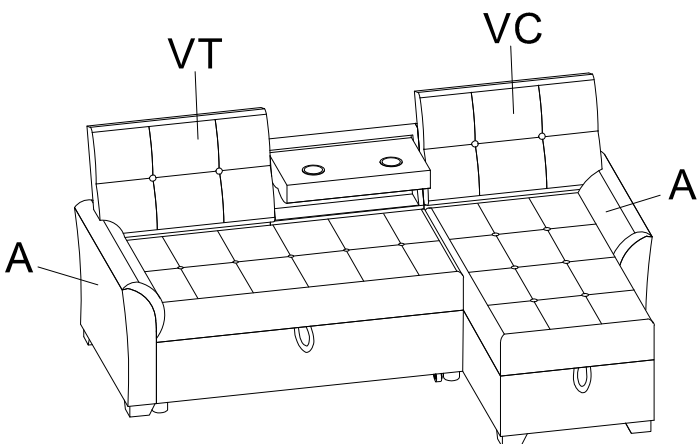
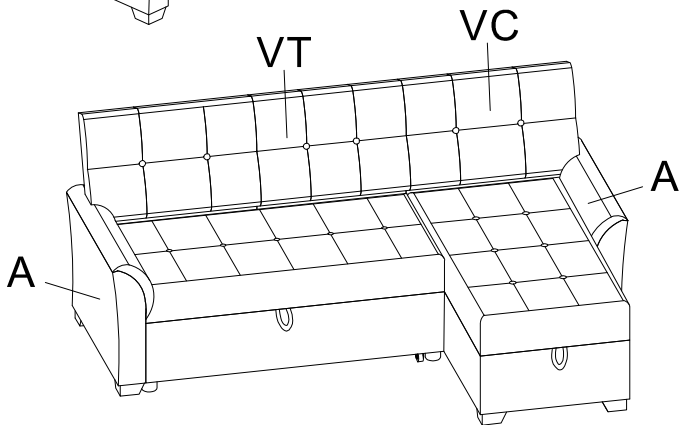
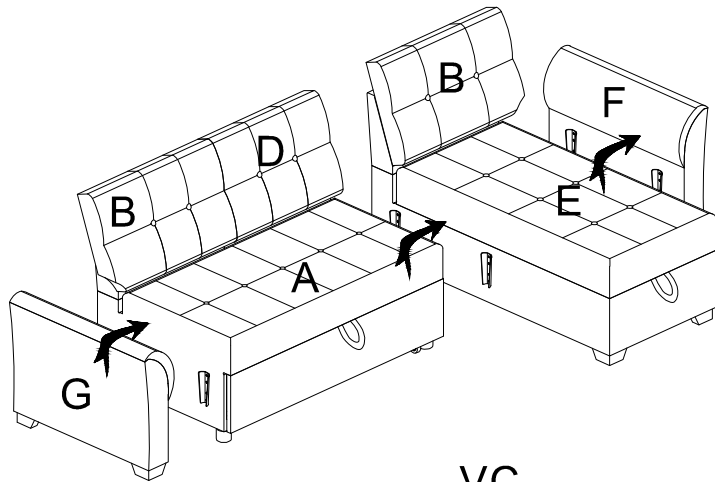
ASSEMBLY INSTRUCTION

ITEM NO.: 8477BEG-A

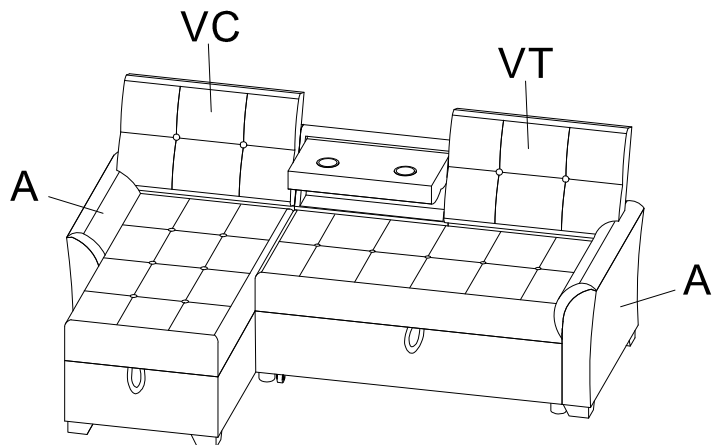
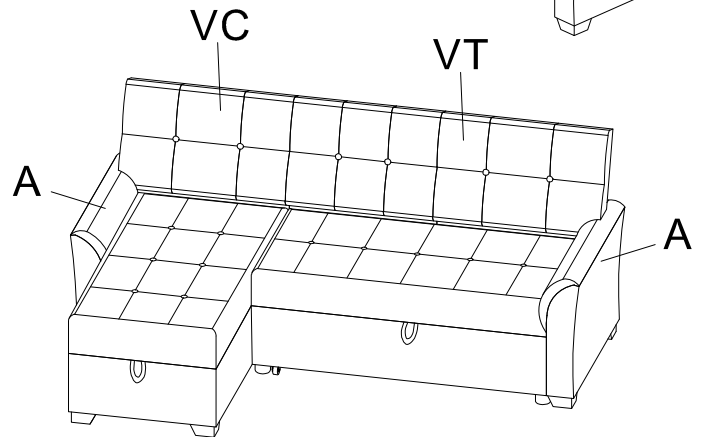
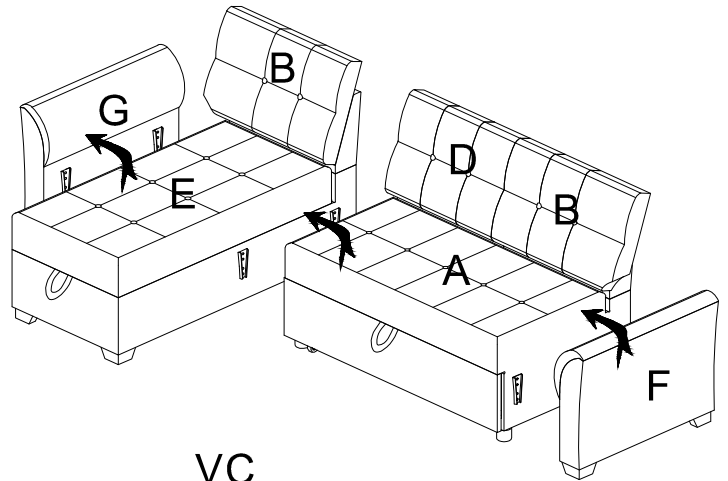
8477BEG-A+8477BEG-VT+8477BEG-VC SECTIONAL SET UP

From this step, it is divided into two columns. The left and right columns correspond to Option A and Option B respectively. You can choose according to your needs.

Option A



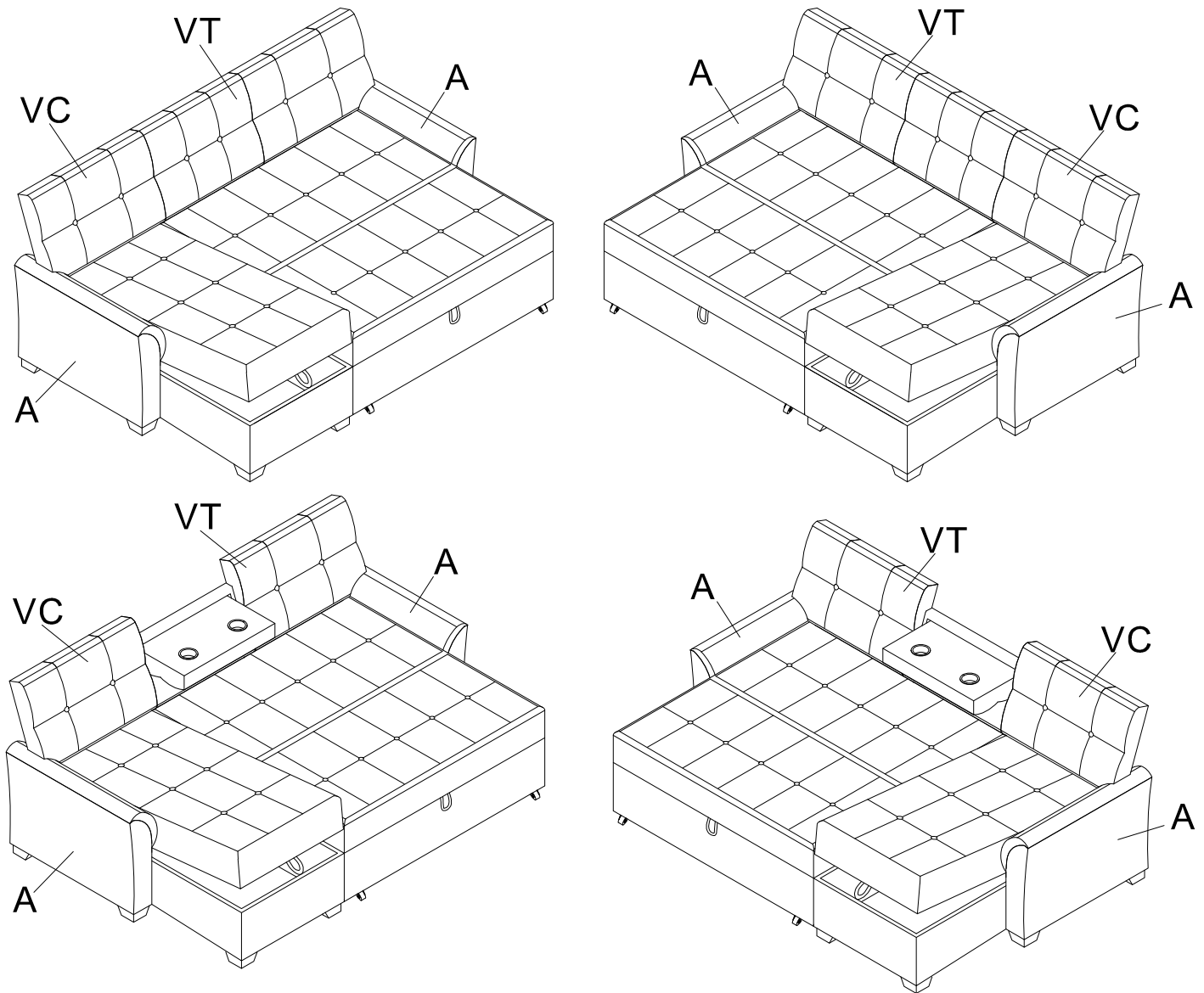
Option B



ASSEMBLY INSTRUCTION

ITEM NO.: 8477BEG-A

8477BEG-A+8477BEG-VT+8477BEG-VC SECTIONAL SET UP



Care Instruction for Fabric Furniture:

In order to maintain the original appearance of your fabric Furniture, please follow below simple care procedures:

- Avoid exposing furniture directly to sunlight or heating and air conditioning outlets. Sunlight and or exposure to heating and air conditioning outlets will fade/damage Fabric.
- Vacuum or wipe with a soft cloth to remove dust.



For items use on wooden floor, hard surfaces or carpets, it is recommended to install protective pads under all legs and supports to avoid/prevent from damages/scratches and discoloration.