



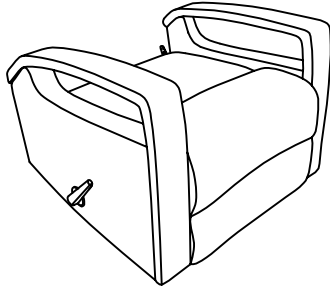
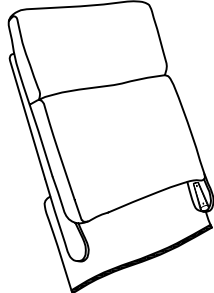
# Assembly Instruction

## Swivel Glider Reclining Chair

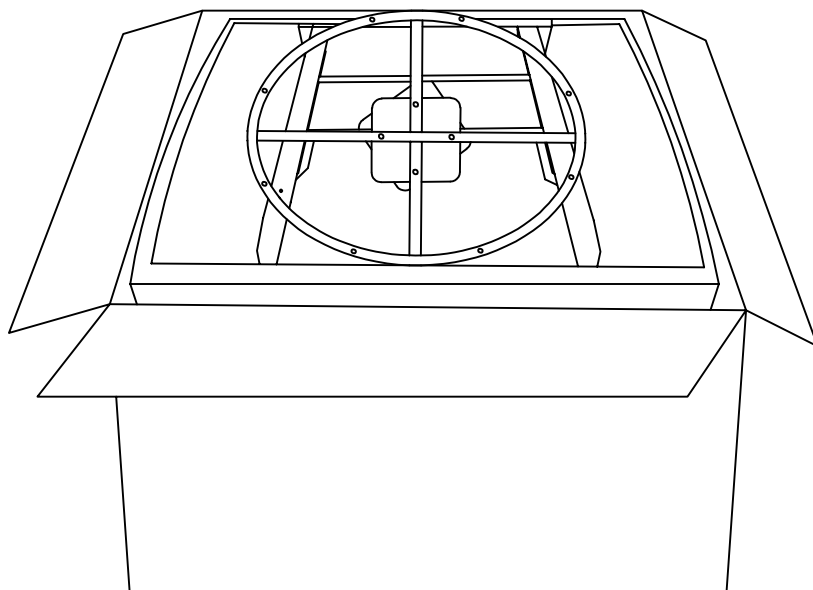
ITEM NO.: 9659GRY-1 / 9659CAM-1

Note: Do not use power tools for assembly. Power tools increase the risk of over tightening which lead to splitting or cracking the wood.

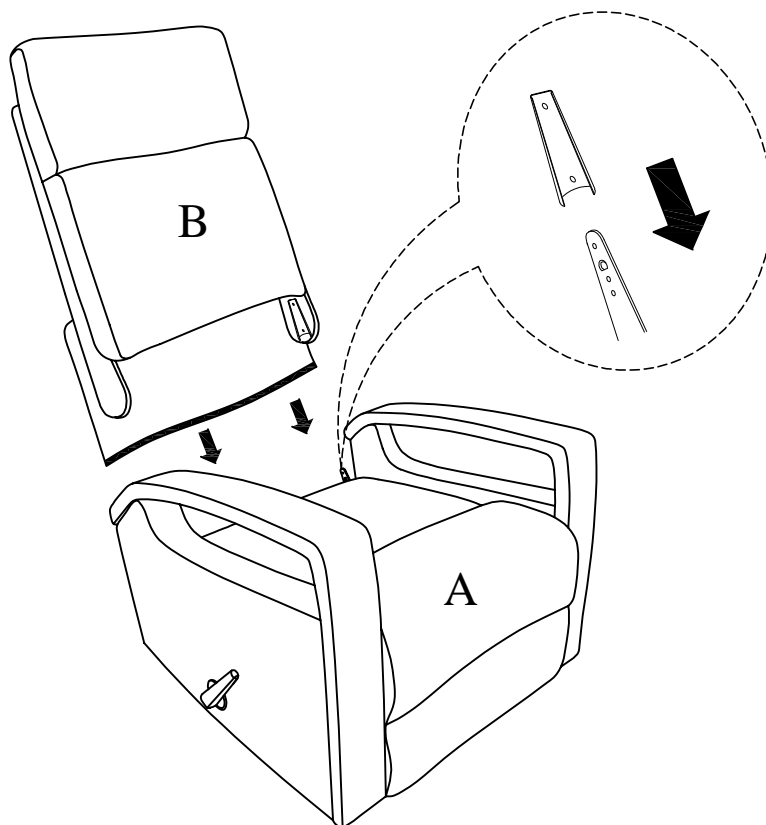
### Component list

No	Drawing	Qty	Description
A	 A line drawing of the chair seat, showing the front, side, and backrest area. It has a curved front edge and a small latch or fastener on the left side.	1	SEAT
B	 A line drawing of the chair backrest, showing the top and side panels. It has a curved top edge and a small latch or fastener on the right side.	1	BACKREST

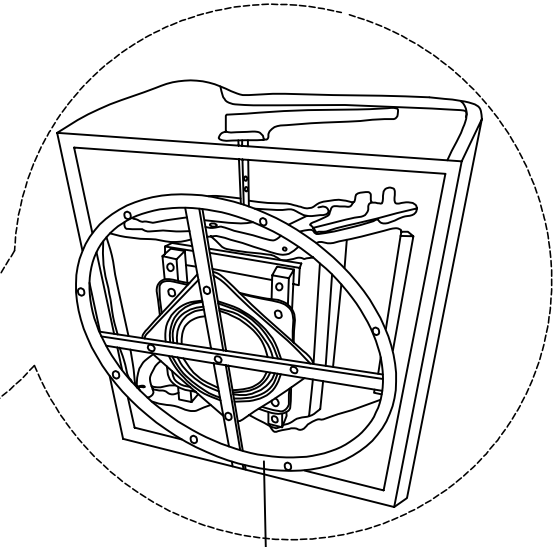
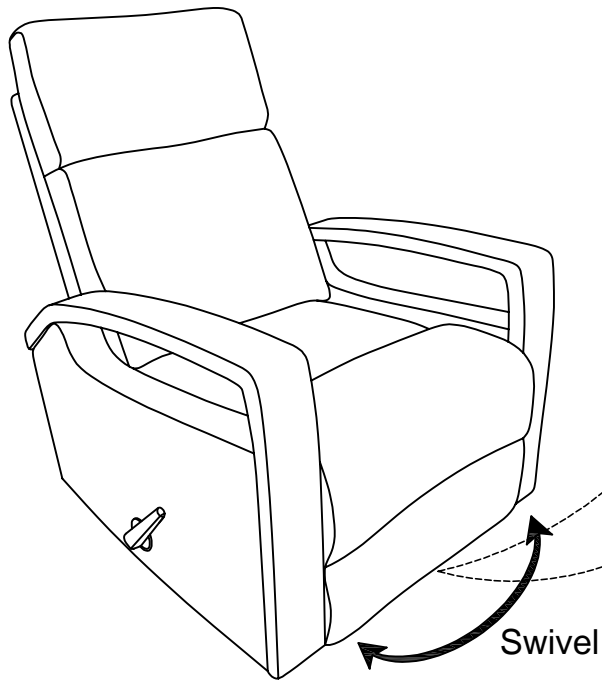
Step #1



Step #2

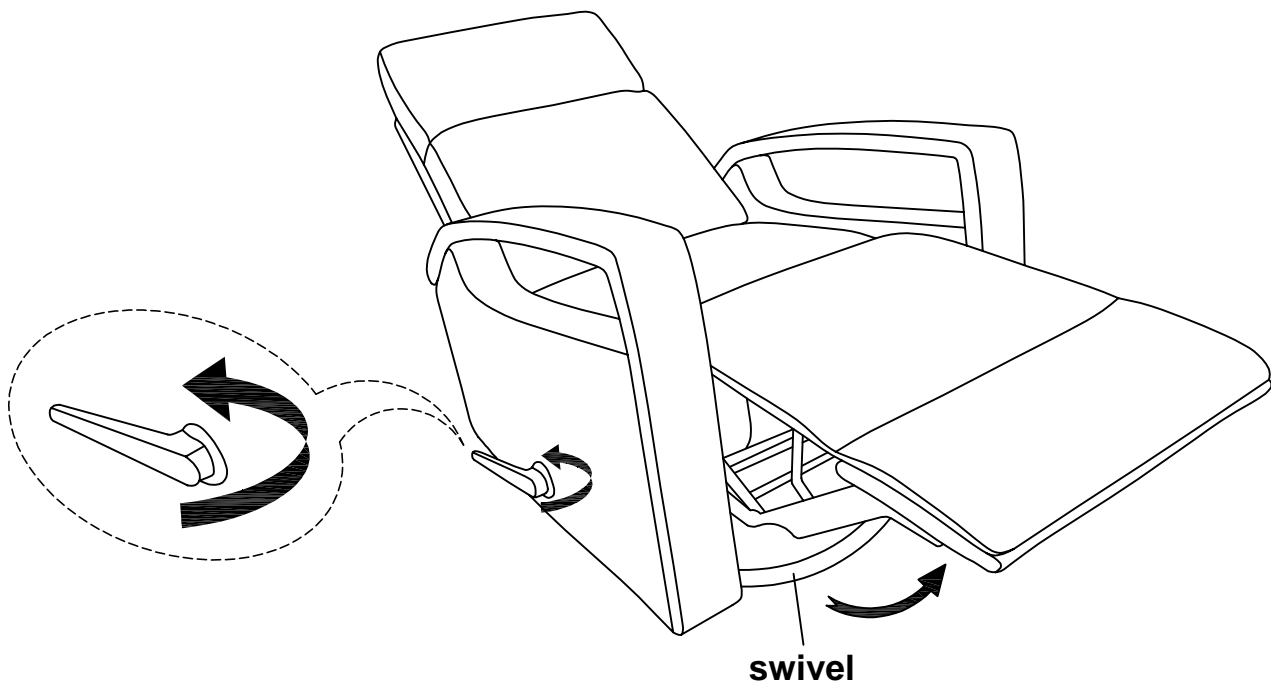


Step #3



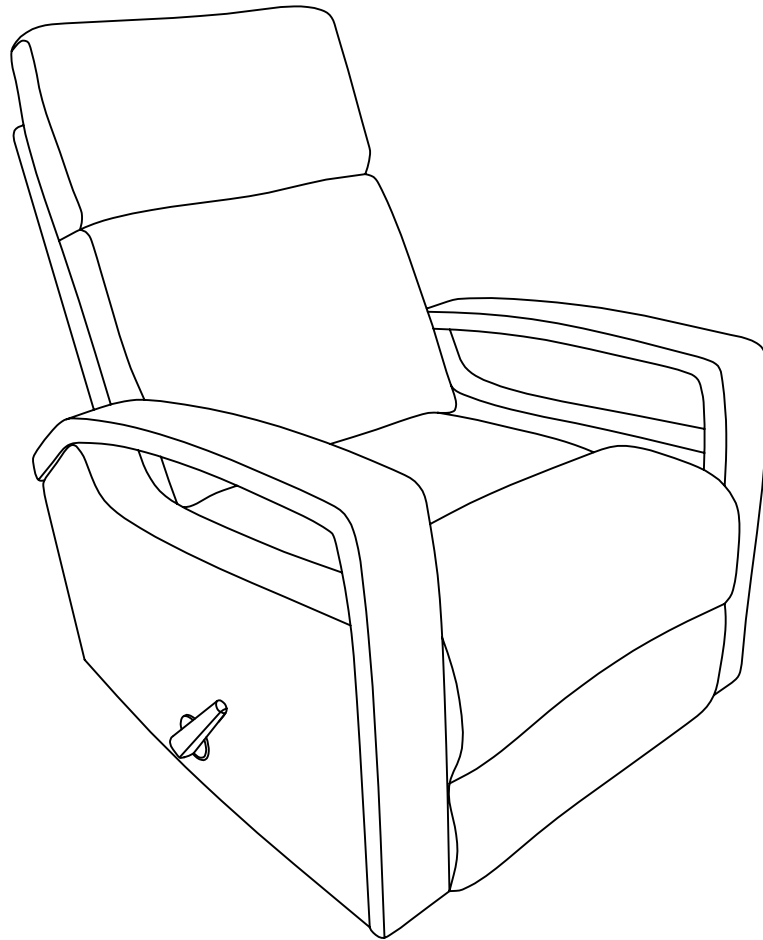
Note: Swivel Chair

Step #4



## Step #5

Assembly completed.



## Care Instruction for Boucle / Leather Air Furniture:

In order to maintain the original appearance of your boucle / leather air, please follow below simple care procedures:

- Avoid exposing furniture directly to sunlight or heating and air conditioning outlets. Sunlight and/or exposure to heating and air conditioning outlets will fade/damage boucle / leather Air. Do not place your upholstered furniture too close to windows, radiators, or vents, and be sure to use windows, radiators, or vents.
- Vacuum or wipe with a soft cloth to remove dust.
- Hardware may loosen over time. Periodically check to make sure all connections are tight. Re-tighten if necessary.



For items use on wooden floor, hard surfaces or carpets, it is recommended to Install protective pads under all legs and supports to avoid/prevent from damages/scratches and discoloration.