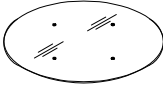

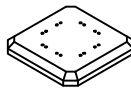



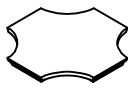



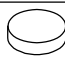



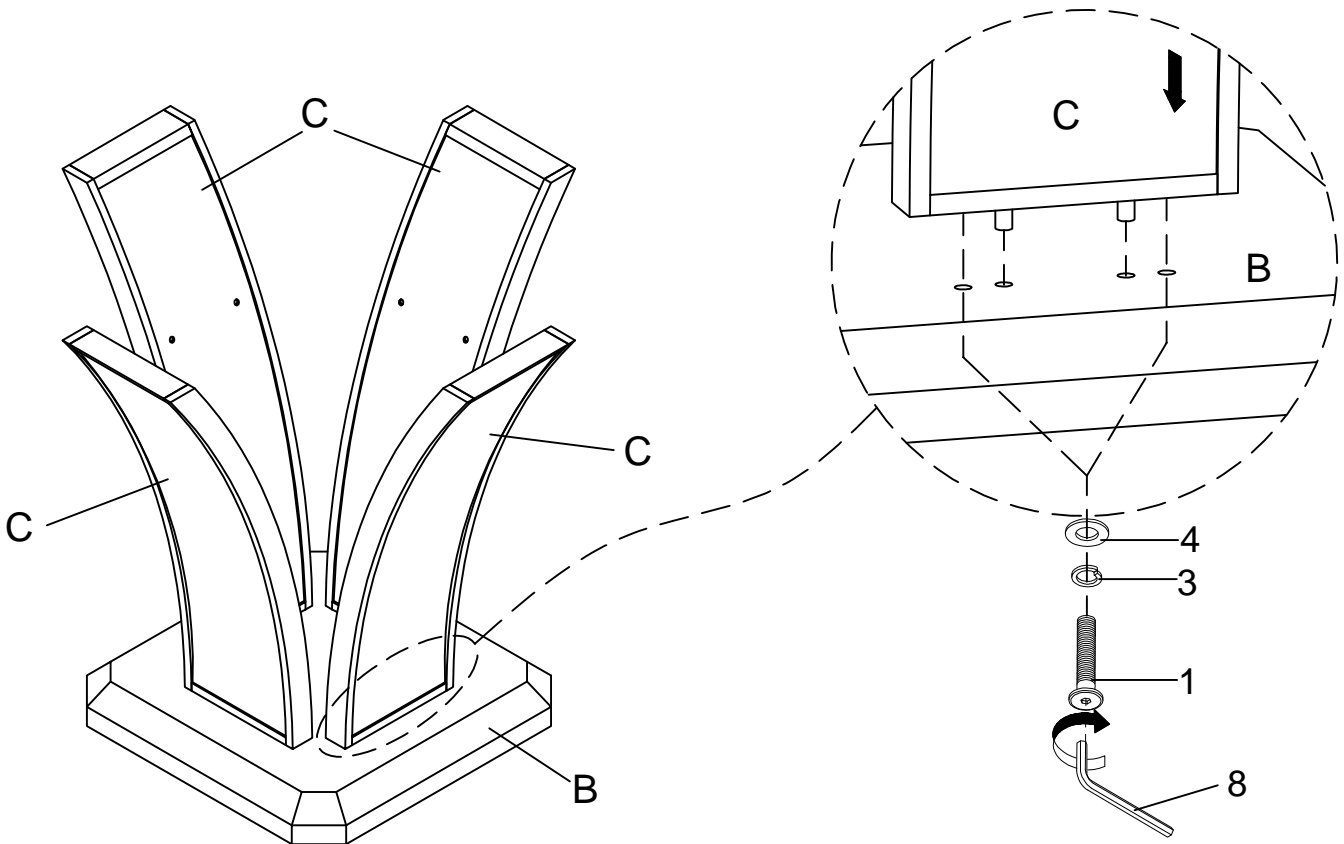
ASSEMBLY INSTRUCTION

ITEM NO: SH1182-36 (1/2) 52" ROUND GLASS TOP
SH1182-36B (2/2) COUNTER HEIGHT TABLE BASE

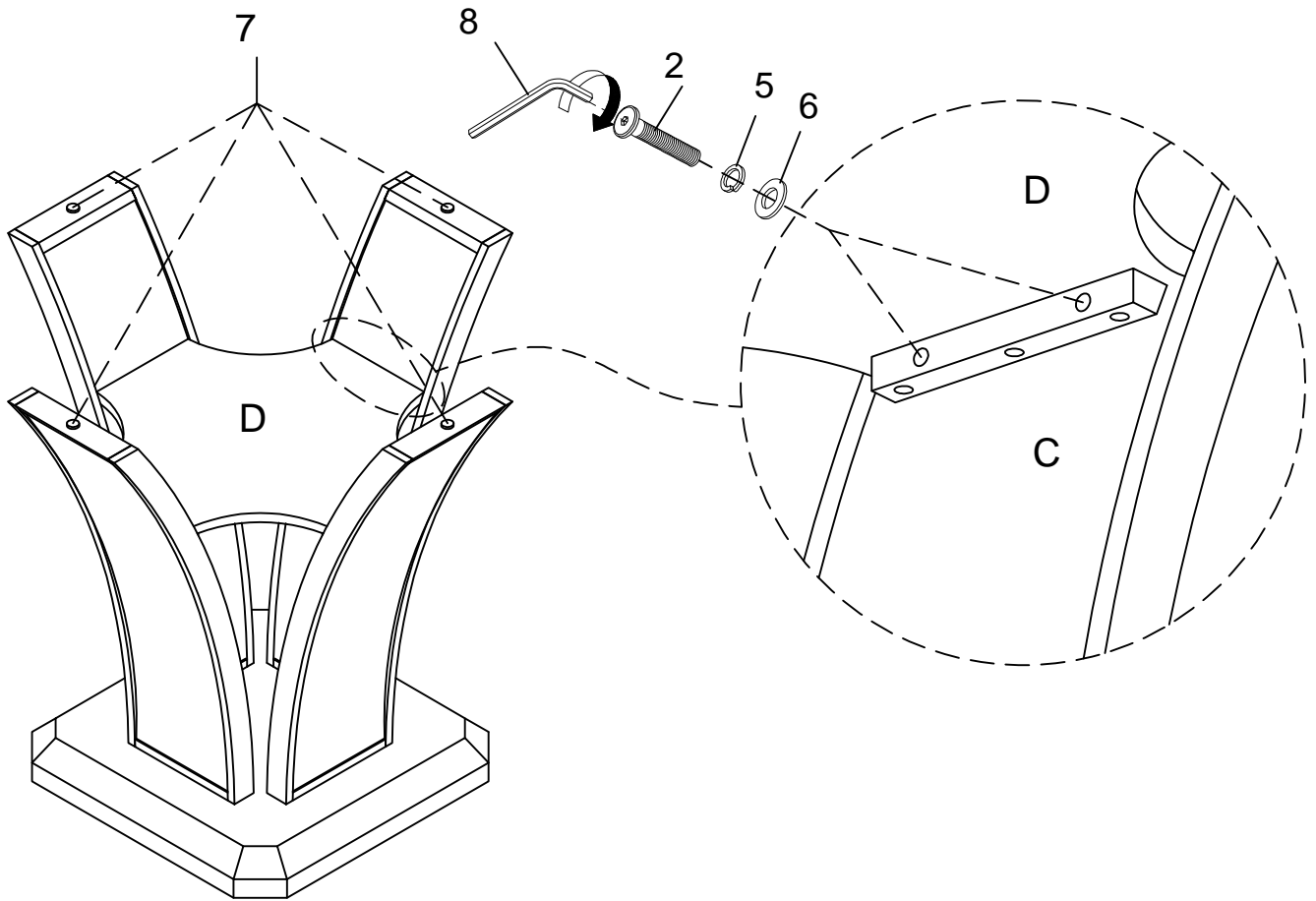
Thank you for purchasing this quality product. Be sure to check all packing material carefully for small parts that may have come loose inside the carton during shipment.

PARTS LIST				HARDWARE LIST				
NO.	Description	Sketch	Q'ty	NO.	Description	Sketch	Size	Q'ty
A	GLASS TOP		1 PC	1	BOLT		5/16"-20 x 1 1/2"	8 PCS
B	PEDESTAL BASE		1 PC	2	BOLT		1/4"-20 x 1 7/9"	8 PCS
C	TABLE LEGS		4 PCS	3	SPRING WASHER		5/16"ID x 3/8"OD x 1/16"TK	8 PCS
D	BOTTOM SHELF		1 PC	4	FLAT WASHER		5/16"ID x 3/4"OD x 1/16"TK	8 PCS
				5	SPRING WASHER		1/4"ID x 3/8"OD x 1/16"TK	8 PCS
				6	FLAT WASHER		1/4"ID x 3/4"OD x 1/16"TK	8 PCS
				7	RUBBER BUMPER		Ø20 *3mm	4 PCS
				8	ALLEN KEY		1/6"	1 PC

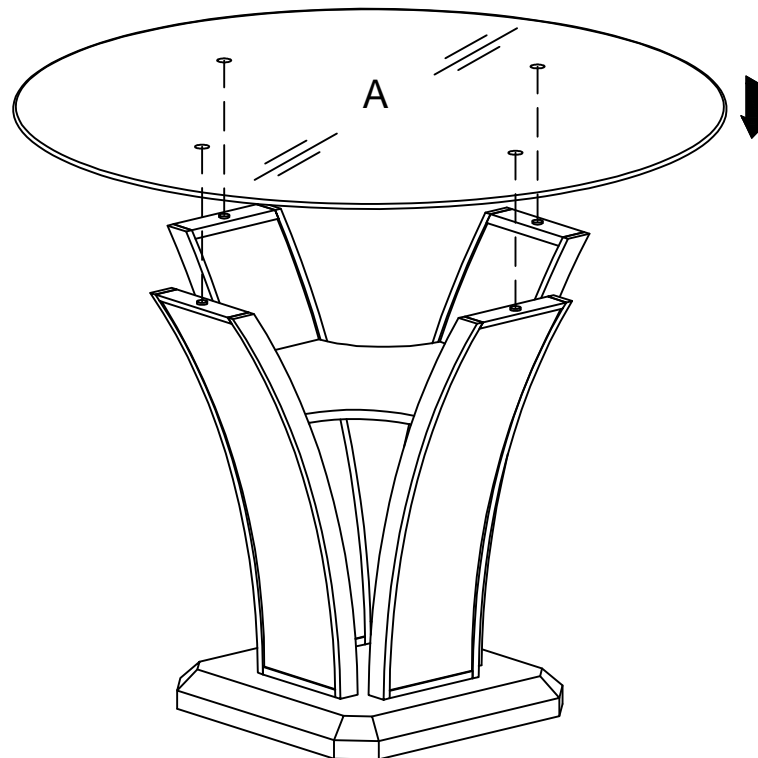
STEP 1



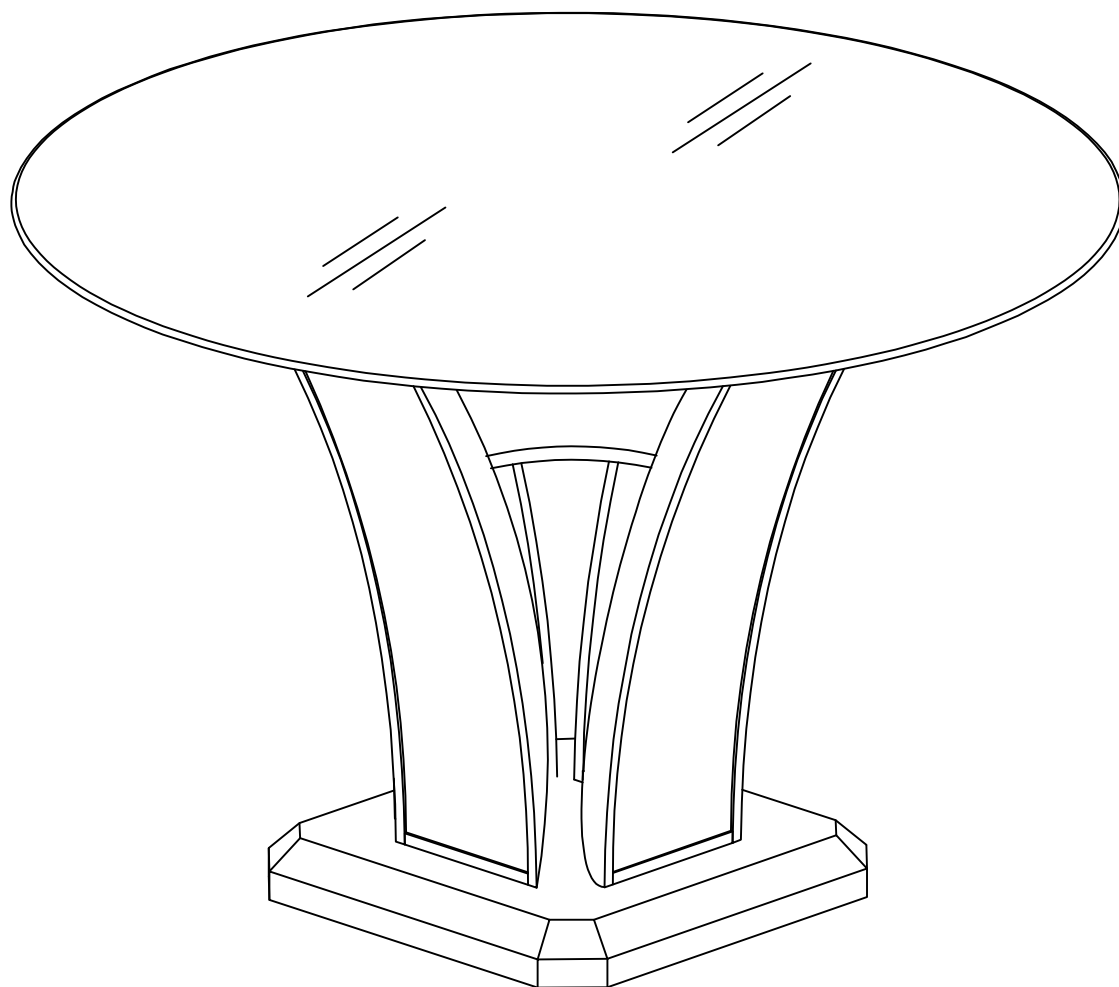
STEP 2



STEP 3



COMPLETED



DO NOT TIGHTEN BOLTS UNTIL COMPLETELY ASSEMBLED.



It is recommended to install protective pads under all legs and supports to avoid damage or scratches when placing furniture on a wood floor or other hard surface, and to limit indentation and prevent discoloration if placing on carpet.