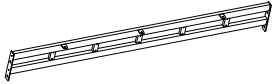


# ASSEMBLY INSTRUCTION

## SH1158-48 DINNG TABLE

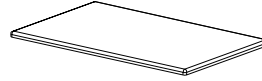
### PART LIST:



A: Long Table Apron  
2PCS



B: Short Table Apron  
2PC



C: Table Top  
1PC



D: Table Leg  
4PCS

### HARDWARE LIST:



1 : Bolt  
1/4"-20X 16mm  
16PCS



2 : Bolt  
M5 X 20mm  
10PCS



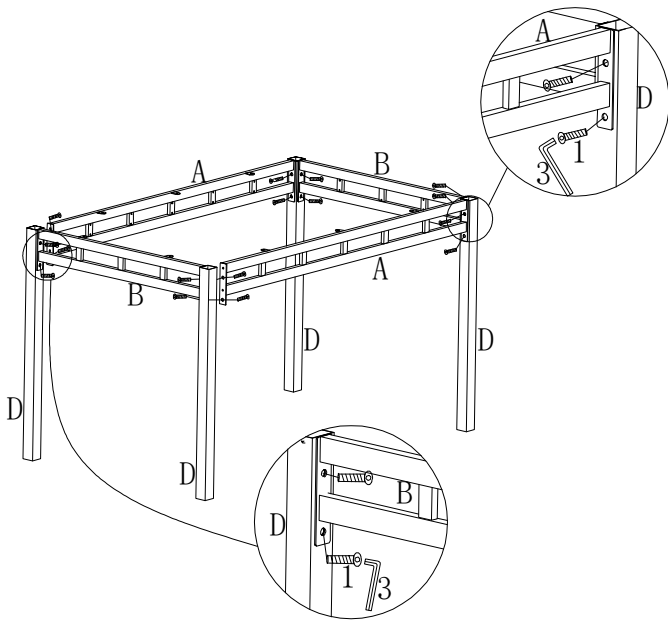
3 : 4mm  
1PC



4 : Not Provide

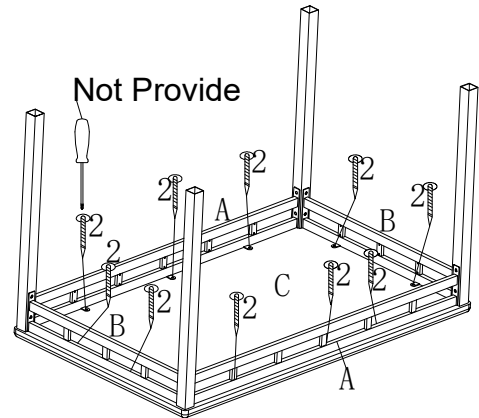
NOTE: PLEASE DO NOT TIGHTEN ALL BOLTS UNTIL THE BED IS ASSEMBLED COMPLETELY.

## STEP 1:



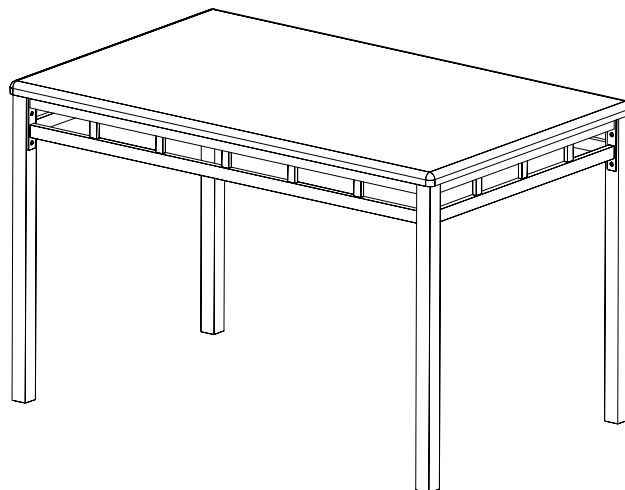
Hardware 1: 16 pcs


## STEP 2:



Hardware 1: 10 pcs

## COMPLETED:



 For items use on wooden floor, hard surfaces or carpets, it is recommended to install protective pads under all legs and supports to avoid/prevent from damages/scratches and discoloration.