
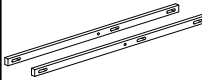
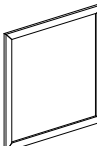


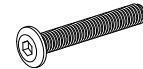



ASSEMBLY INSTRUCTIONS

SH2105-6 MIRROR

Thank you for purchasing this product. Please take time to read and follow the instructions below. Check that you have all parts and hardware before assembly. Parts apparently missing are often found in the packing materials. If you do not have all the parts listed, have your dealer contact us and they will be sent to you immediately.

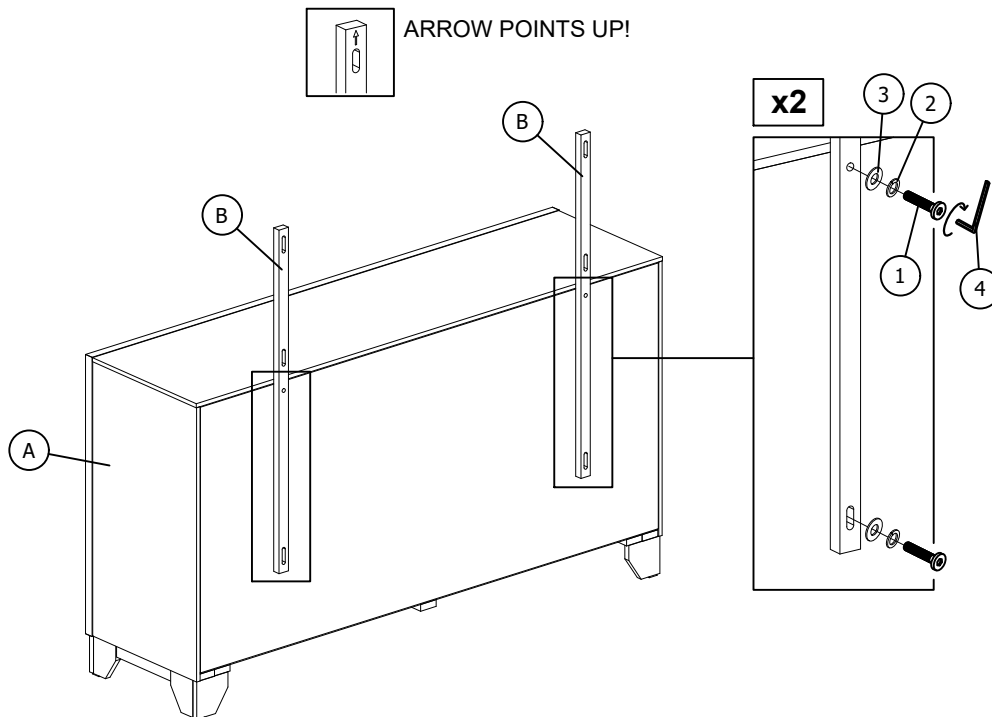
⚠ It is recommended to install protective pads under all legs and supports to avoid damage or scratches when placing furniture on a wood floor or other hard surface, and to limit indentation and prevent discoloration if placing on carpet.

PART LIST			
ITEM	DESCRIPTION	SKETCH	QTY
A	DRESSER (FROM DRESSER BOX)		1
B	MIRROR SUPPORT RAIL		2
C	MIRROR		1

HARDWARE LIST			
ITEM	DESCRIPTION	SKETCH	QTY
1	JCBC SCREW M6 x 40MM		8
2	SPRING WASHER M6 x 13MM		8
3	FLAT WASHER M6 x 19MM		8
4	ALLEN KEY M4		1

(SH2105-6 MR) ASSEMBLE STEP

STEP 1



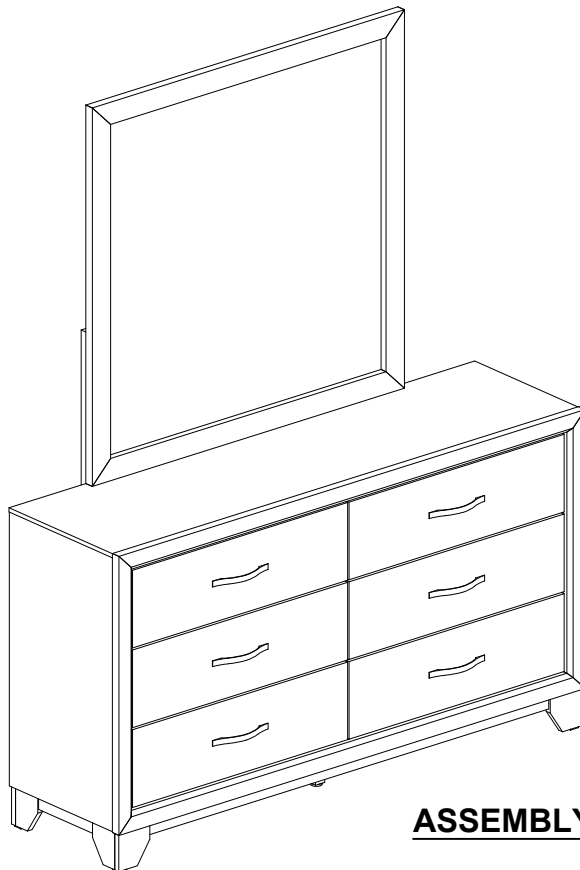
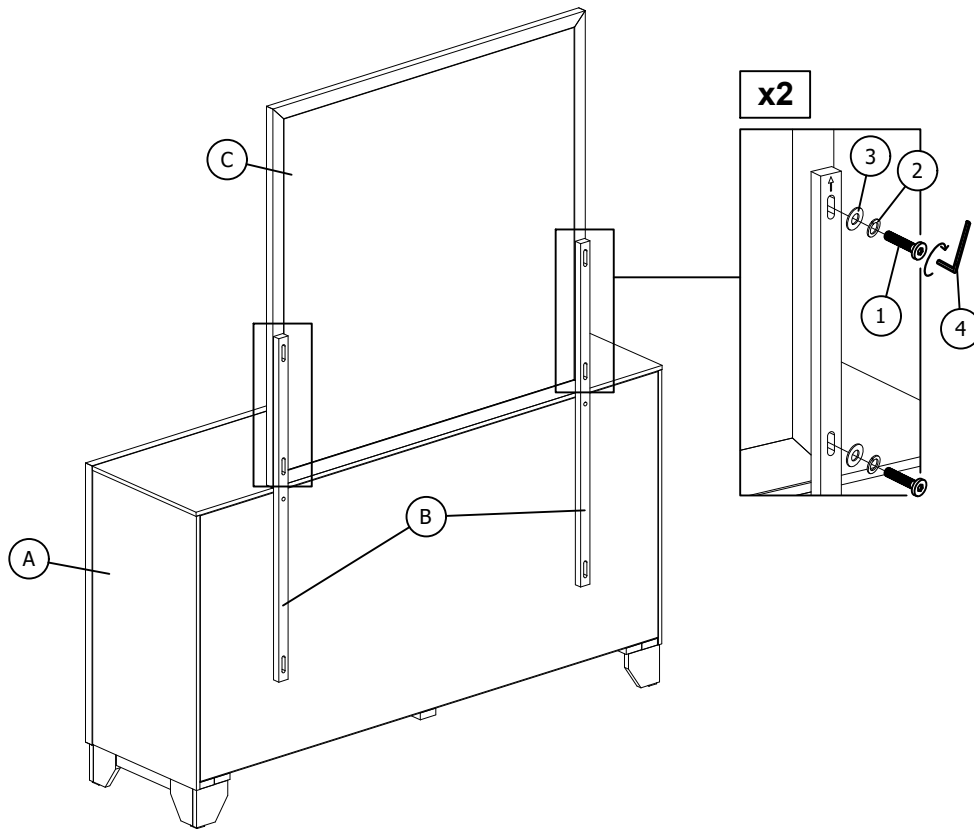
MADE IN MALAYSIA

**DO NOT TIGHTEN BOLTS UNTIL COMPLETELY ASSEMBLED

ASSEMBLY INSTRUCTIONS

SH2105-6 MIRROR

STEP 2



ASSEMBLY COMPLETED

MADE IN MALAYSIA

**DO NOT TIGHTEN BOLTS UNTIL COMPLETELY ASSEMBLED