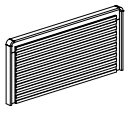
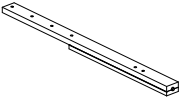
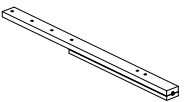
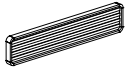

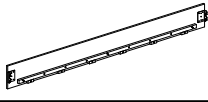
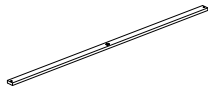
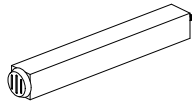


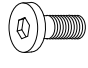
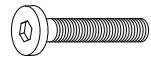
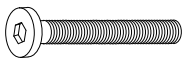
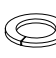
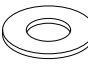
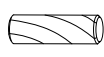
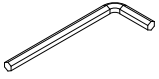


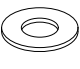
ASSEMBLY INSTRUCTIONS

SH2300-1 QUEEN BED

Thank you for purchasing this product. Please take time to read and follow the instructions below. Check that you have all parts and hardware before assembly. Parts apparently missing are often found in the packing materials. If you do not have all the parts listed, have your dealer contact us and they will be sent to you immediately.

 **It is recommended to install protective pads under all legs and supports to avoid damage or scratches when placing furniture on a wood floor or other hard surface, and to limit indentation and prevent discoloration if placing on carpet.**

PART LIST			
ITEM	DESCRIPTION	SKETCH	QTY
A	HEADBOARD		1
B	HEADBOARD LEG (L)		1
C	HEADBOARD LEG (R)		1
D	FOOTBOARD		1
E	FOOTBOARD LEG		2
F	SIDE RAIL		2
G	SLAT		4
H	SLAT SUPPORT LEG		4

HARDWARE LIST			
ITEM	DESCRIPTION	SKETCH	QTY
1	JCBB BOLT SCREW M8 X 16MM		8
2	JCBB BOLT SCREW M8 x 40MM		8
3	JCBB BOLT SCREW M8 x 60MM		2
4	SPRING WASHER M8 x 14MM		10
5	FLAT WASHER M8 x 22MM		8
6	WOOD DOWEL Ø8 x 30MM		2
7	ALLEN KEY M5		1
8	CSK C/B SCREW M4 x 32MM		8
9	ADAPTOR		1
10	FLAT WASHER M8 x 16MM		2

MADE IN MALAYSIA

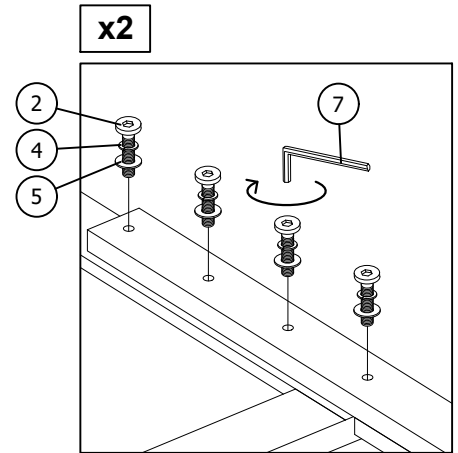
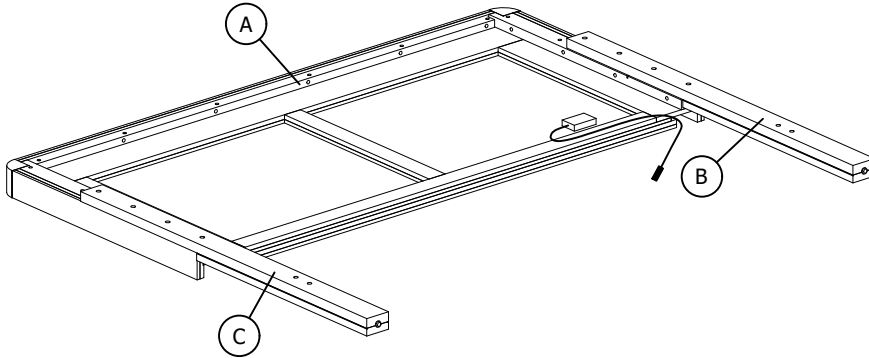
**DO NOT TIGHTEN BOLTS UNTIL COMPLETELY ASSEMBLED

ASSEMBLY INSTRUCTIONS

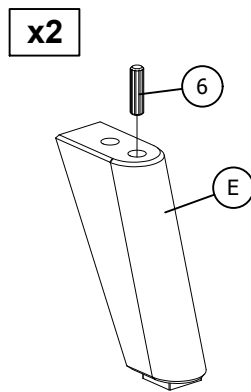
SH2300-1 QUEEN BED

(SH2319-1 QB) ASSEMBLE STEP

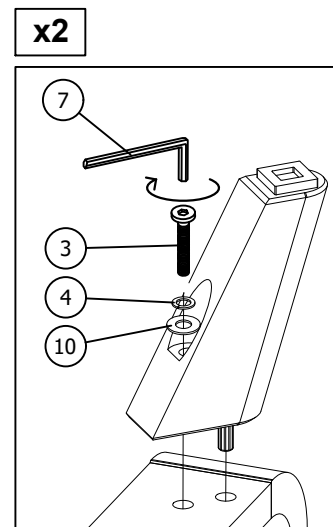
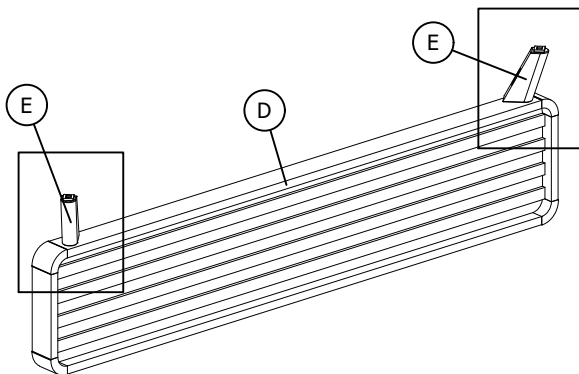
STEP 1



STEP 2



STEP 3



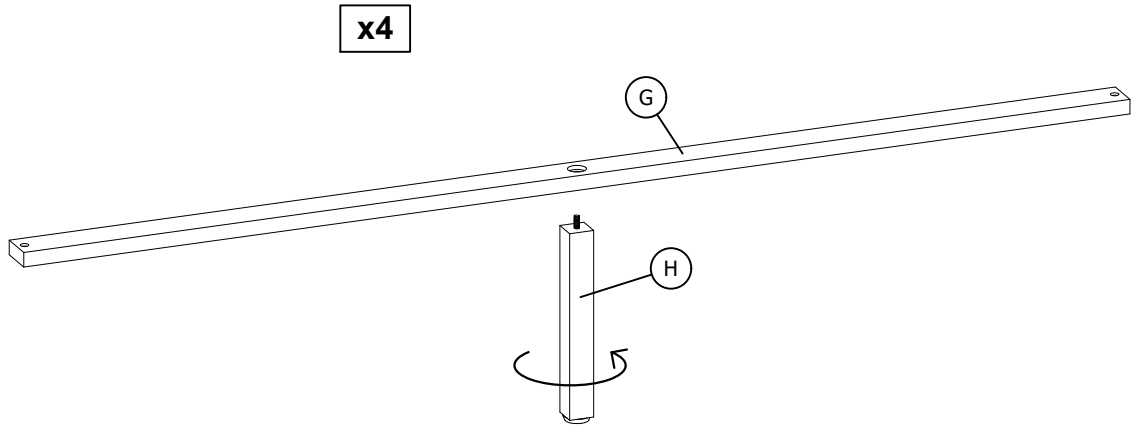
MADE IN MALAYSIA

**DO NOT TIGHTEN BOLTS UNTIL COMPLETELY ASSEMBLED

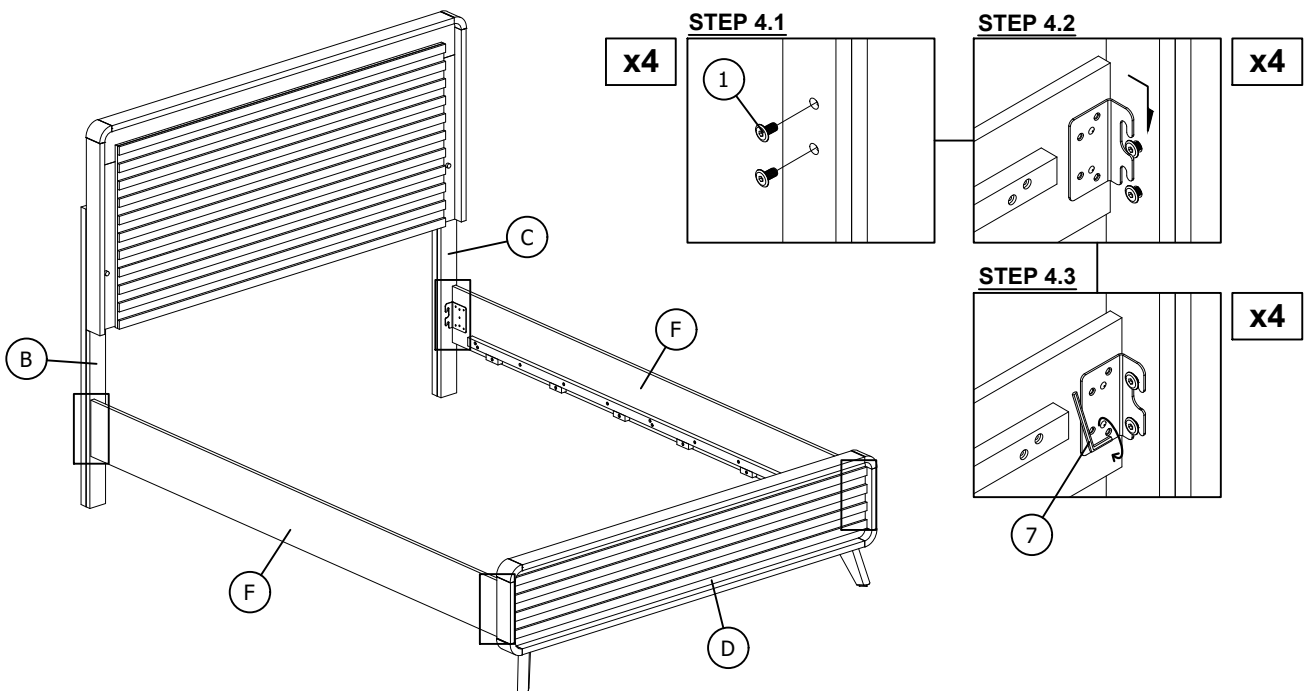
ASSEMBLY INSTRUCTIONS

SH2300-1 QUEEN BED

STEP 4



STEP 5



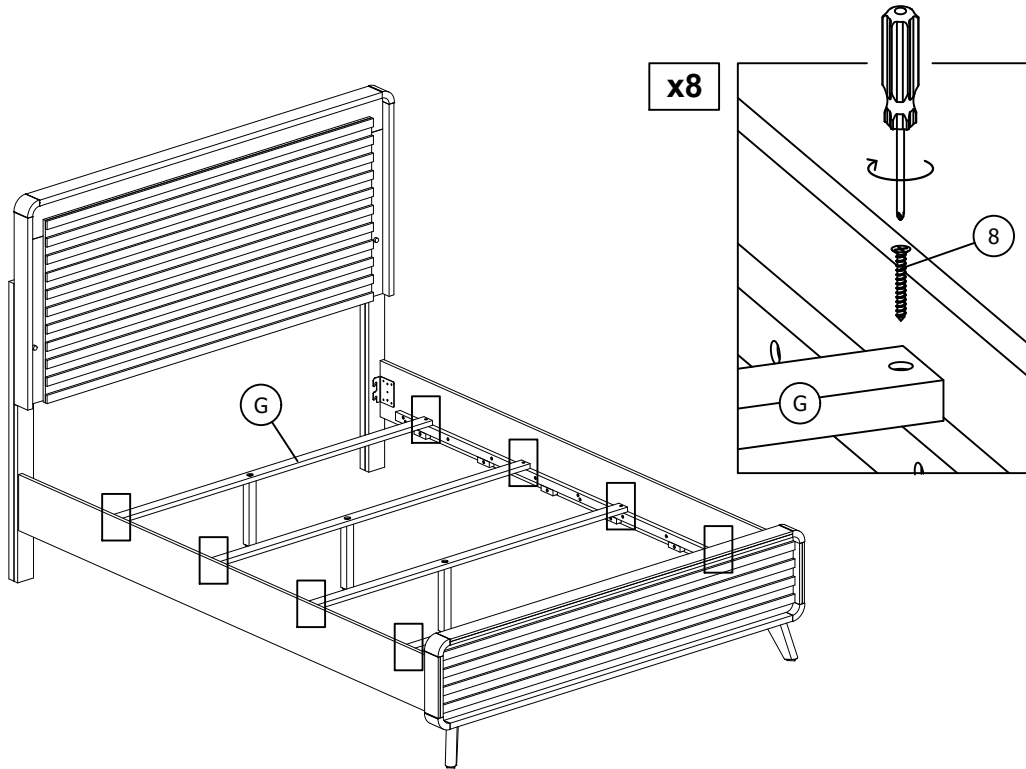
MADE IN MALAYSIA

**DO NOT TIGHTEN BOLTS UNTIL COMPLETELY ASSEMBLED

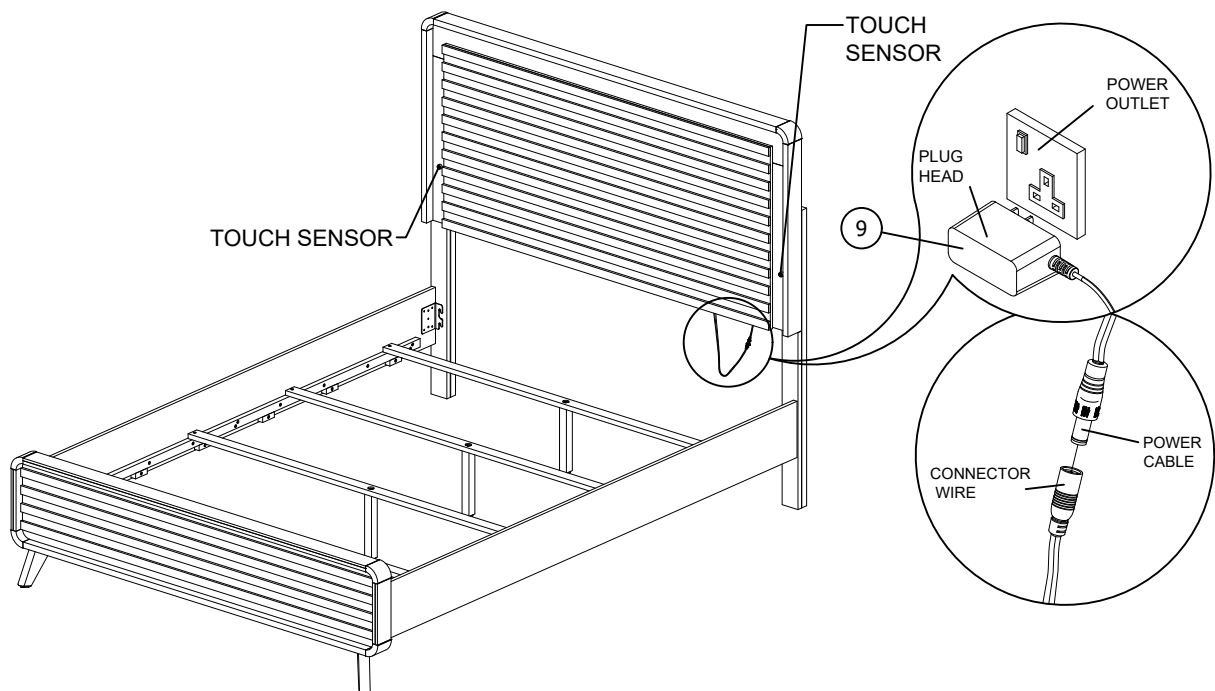
ASSEMBLY INSTRUCTIONS

SH2300-1 QUEEN BED

STEP 6



STEP 7



ASSEMBLY COMPLETED

MADE IN MALAYSIA

**DO NOT TIGHTEN BOLTS UNTIL COMPLETELY ASSEMBLED