
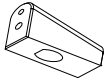



ASSEMBLY INSTRUCTIONS

SH2300-9 CHEST

Thank you for purchasing this product. Please take time to read and follow the instructions below. Check that you have all parts and hardware before assembly. Parts apparently missing are often found in the packing materials. If you do not have all the parts listed, have your dealer contact us and they will be sent to you immediately.

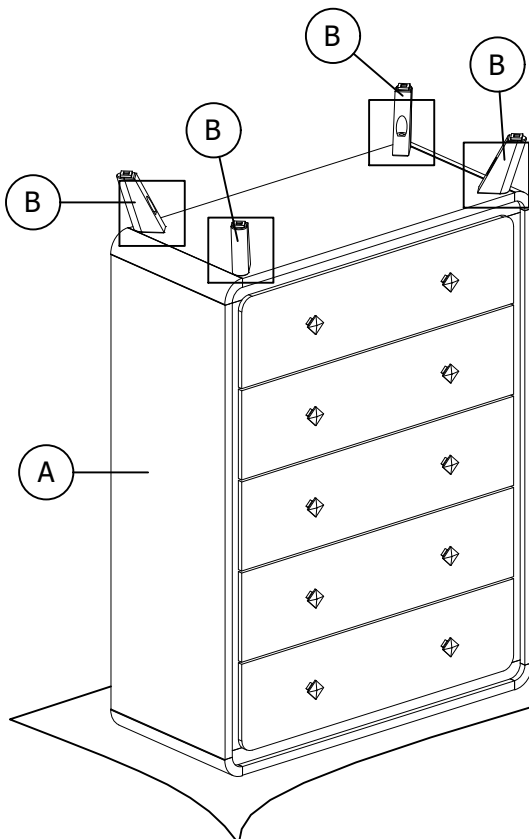
⚠ It is recommended to install protective pads under all legs and supports to avoid damage or scratches when placing furniture on a wood floor or other hard surface, and to limit indentation and prevent discoloration if placing on carpet.

| PART LIST | | | |
|-----------|-------------|---|-----|
| ITEM | DESCRIPTION | SKETCH | QTY |
| A | CHEST |  | 1 |
| B | LEG |  | 4 |

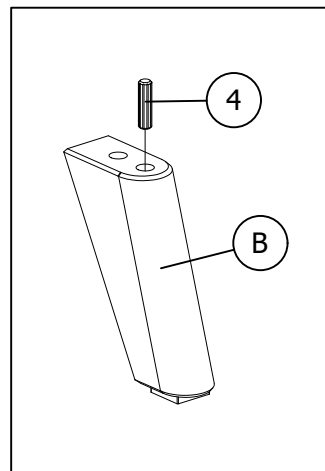
| HARDWARE LIST | | | |
|---------------|---|--|-----|
| ITEM | DESCRIPTION | SKETCH | QTY |
| 1 | JCBB BOLT SCREW M8 x 60MM |  | 4 |
| 2 | SPRING WASHER M8 x 14MM |  | 4 |
| 3 | FLAT WASHER M8 x 16MM |  | 4 |
| 4 | WOOD DOWEL Ø8 x 30MM |  | 4 |
| 5 | ALLEN KEY M5 |  | 1 |
| 6 | TIPPING RESTRAINT (Packed in SH2300-9 for assembly) |  | 1 |

(SH2300-9 CH) ASSEMBLE STEP

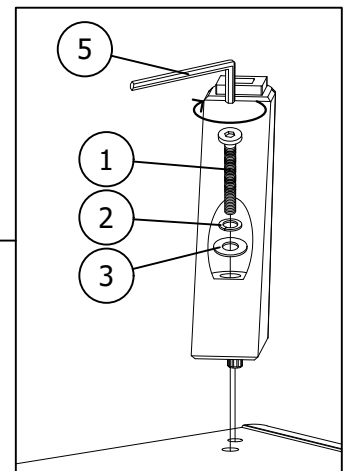
STEP 1



x4



x4



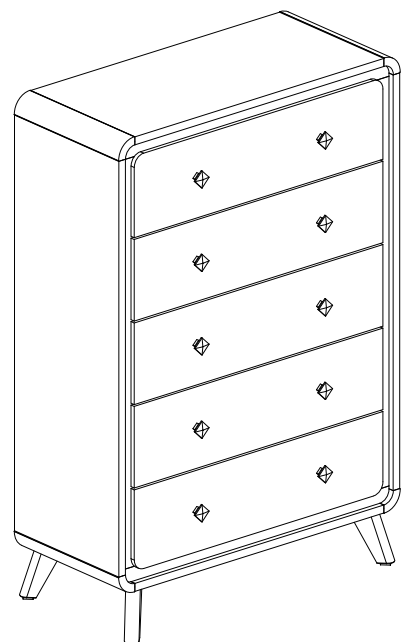
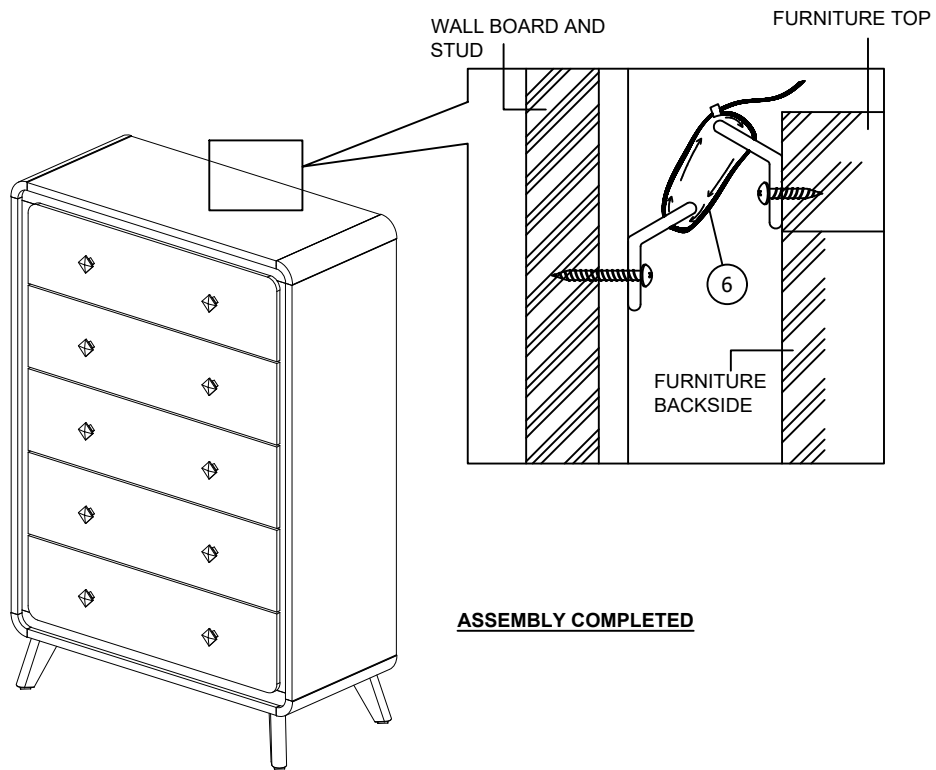
MADE IN MALAYSIA

****DO NOT TIGHTEN BOLTS UNTIL COMPLETELY ASSEMBLED**

ASSEMBLY INSTRUCTIONS

SH2300-9 CHEST

STEP 2



MADE IN MALAYSIA

**DO NOT TIGHTEN BOLTS UNTIL COMPLETELY ASSEMBLED