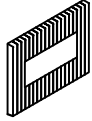






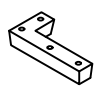
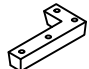
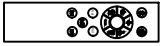









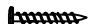


ASSEMBLY INSTRUCTION

ITEM NO: SH297BLKK-1EK/SH297BRWK-1EK
SH297BLK-1/SH297BRW-1

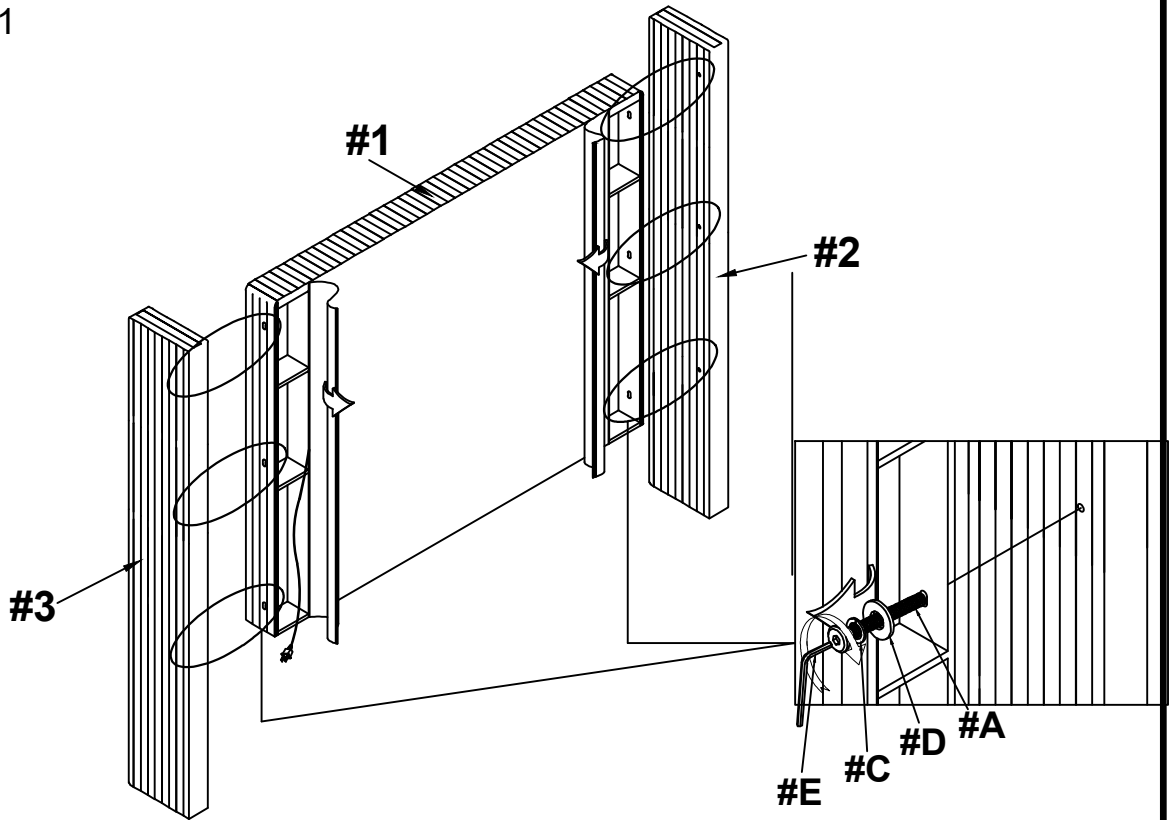
KING BED
QUEEN BED

Thank you for purchasing this quality product. Be sure to check all packing material carefully for small parts that may have come loose inside the carton during shipment.

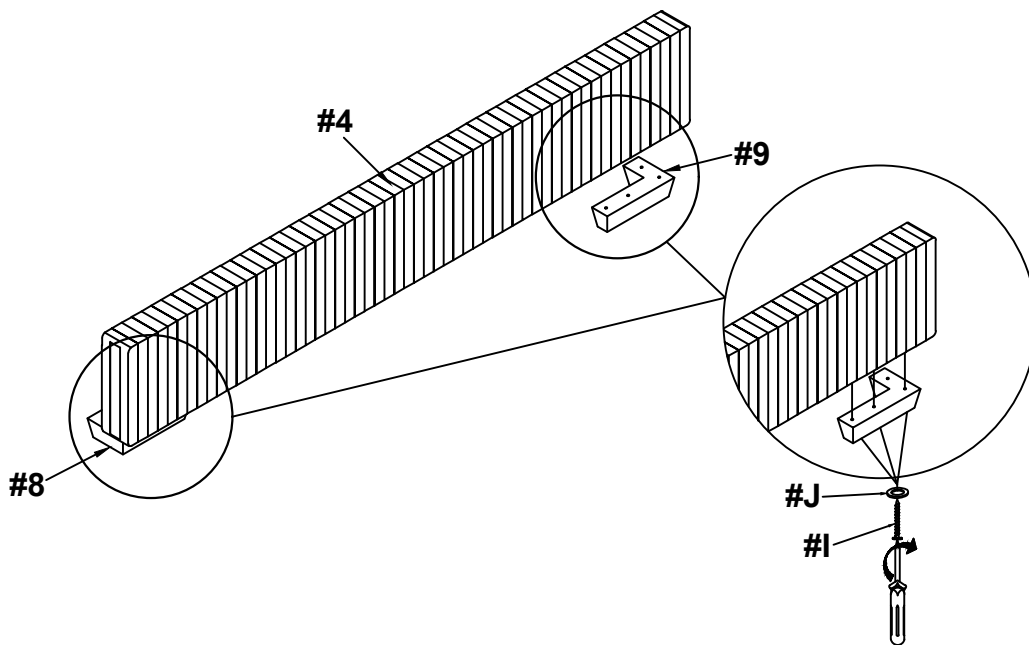
PART LIST			
NO.	Description	Sketch	Q'ty
1	HEADBOARD W/T FIREPLACE DECOR		1PC
2	LSF HEADBOARD WING		1PC
3	RSF HEADBOARD WING		1PC
4	FOOTBOARD		1PC
5	LSF/RSF SIDE RAILS		2PCS
6	SLATS		4PCS
7	SUPPORT LEG WITH LEVELER		8PCS
8	LSF L FEET		1PC
9	RSF L FEET		1PC
10	REMOTE CONTROL		1PC

HARDWARE LIST				
NO.	Description	Sketch	Size	Q'ty
A	BOLT		Ø5/16" x 60MM	6PCS
B	THREADED BOLT		Ø5/16" x 90MM	8PCS
C	SPRING WASHER		Ø5/16"	14PCS
D	FLAT WASHER		Ø5/16" 25mm	14PCS
E	ALLEN WRENCH		5MM	1PC
F	HEX NUT		16x13x13MM	8PCS
G	WRENCH		95x25x3MM	1PC
H	SHORT SCREWS		M4x30MM	8PCS
I	LONG SCREWS		M4x50MM	8PCS
J	SMALL FLAT WASHER		Ø1/4" 13MM	8PCS

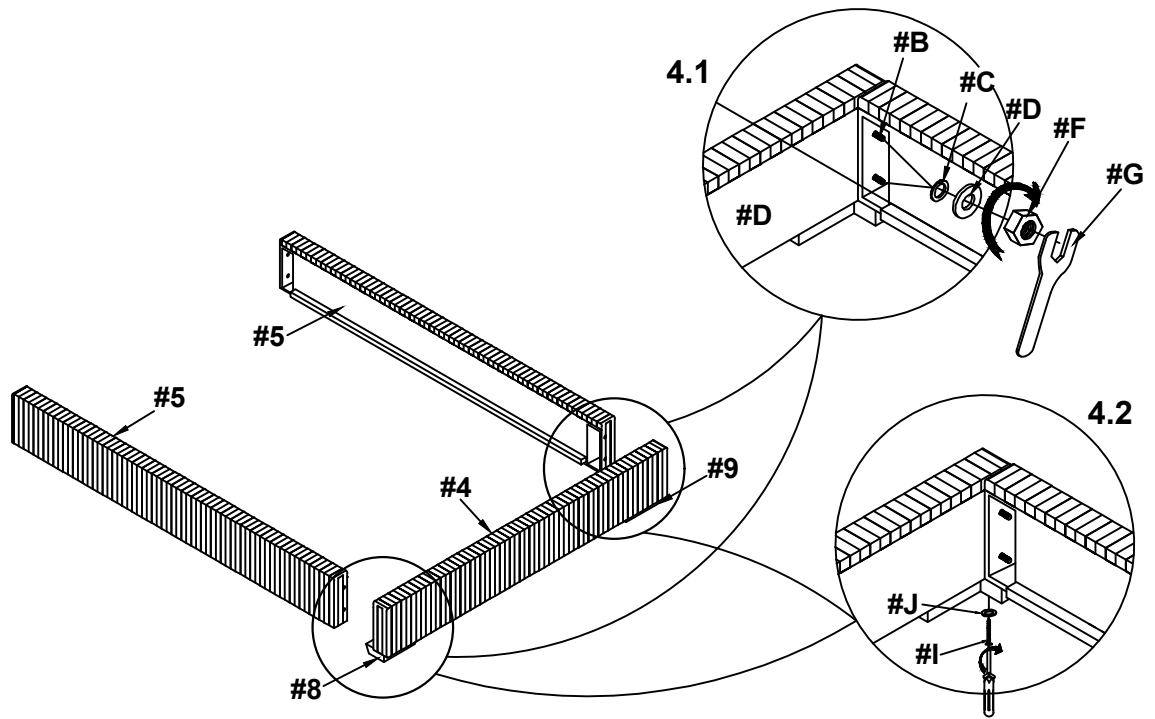
STEP 1



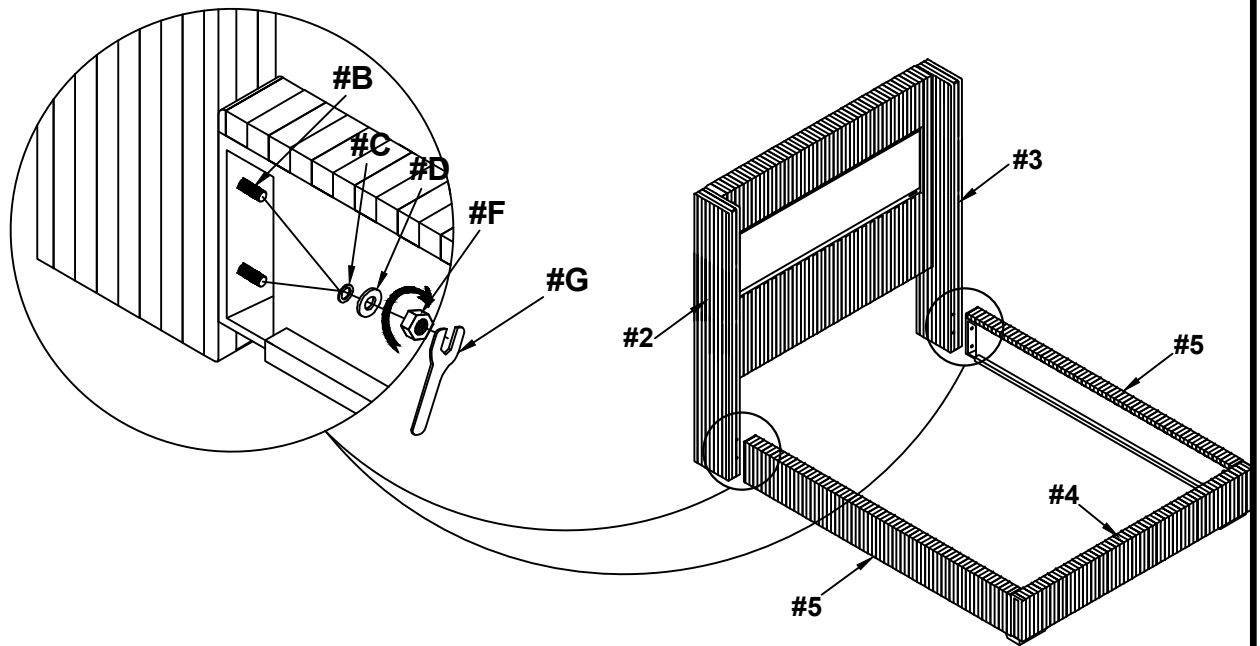
STEP 2



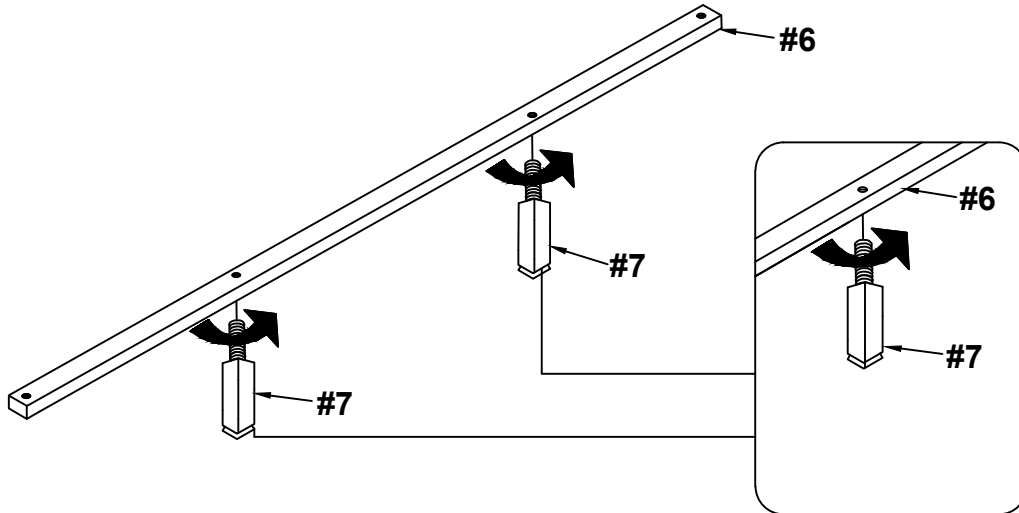
STEP 3



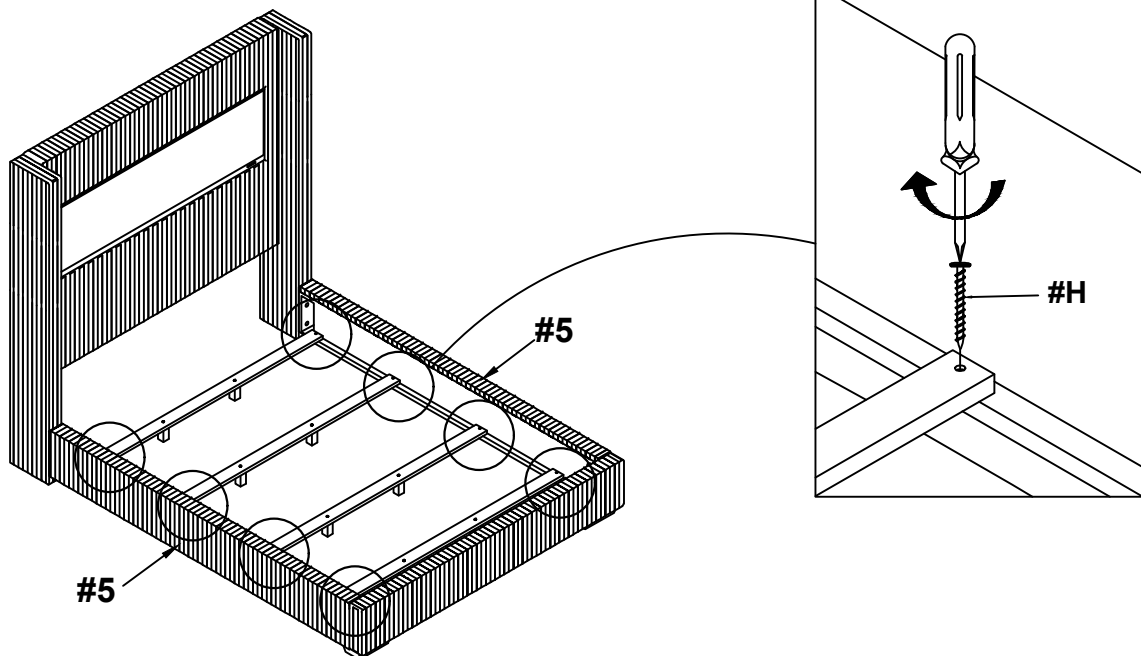
STEP 4



STEP 5

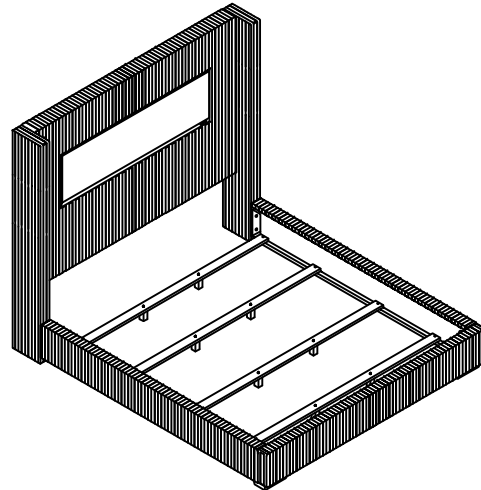


STEP 6

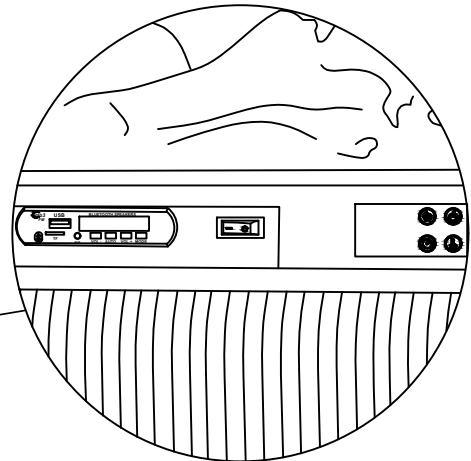
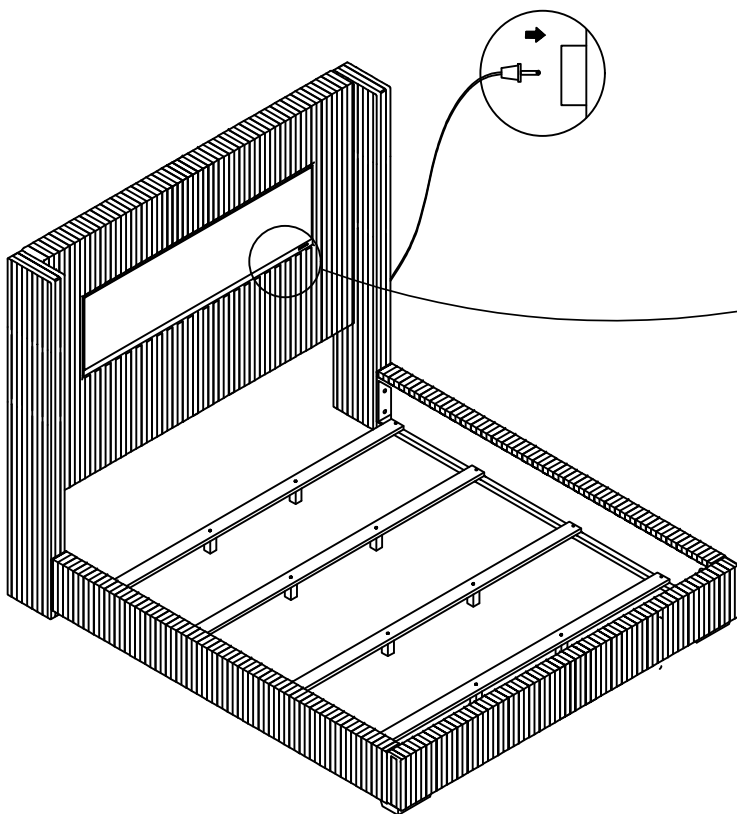


It is recommended to install protective pads under all legs and supports to avoid damage or scratches when placing furniture on a wood floor or other hard surface, and to limit indentation and prevent discoloration if placing on carpet.

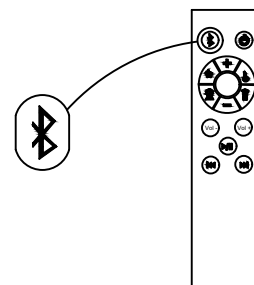
COMPLETED



Connect power



Bluetooth RS01



REMOTE CONTROL

CARE INSTRUCTION FOR POLYESTER:

In order to maintain the original appearance of your polyester furniture, please follow below simple care procedure:

- Avoid exposing furniture directly to sunlight or heating and air conditioning outlets. Exposure to sunlight or heating and air conditioning outlets will fade/damage polyester.
- Wipe gently with a damp soft cloth to remove dust, dirt and any grime build up.
- Hardware may loosen over time. Periodically check to make sure all connections are tight. Re-tighten if necessary.
- Do not tighten bolts until completely assembled.

MADE IN VIETNAM
PAGE 5 OF 5