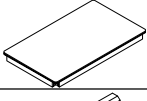
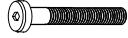






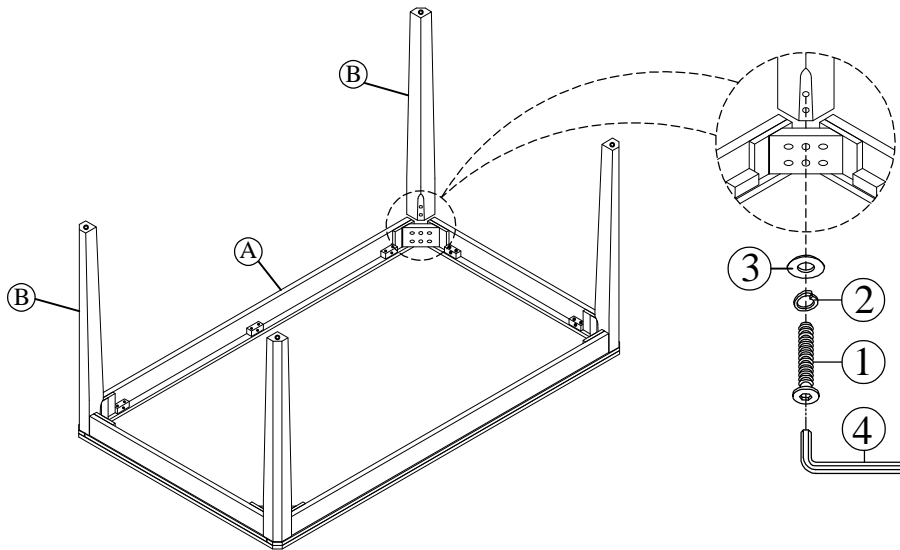
ASSEMBLY INSTRUCTION

ITEM NO: SH1186: 6-PIECES PACK DINETTE SET

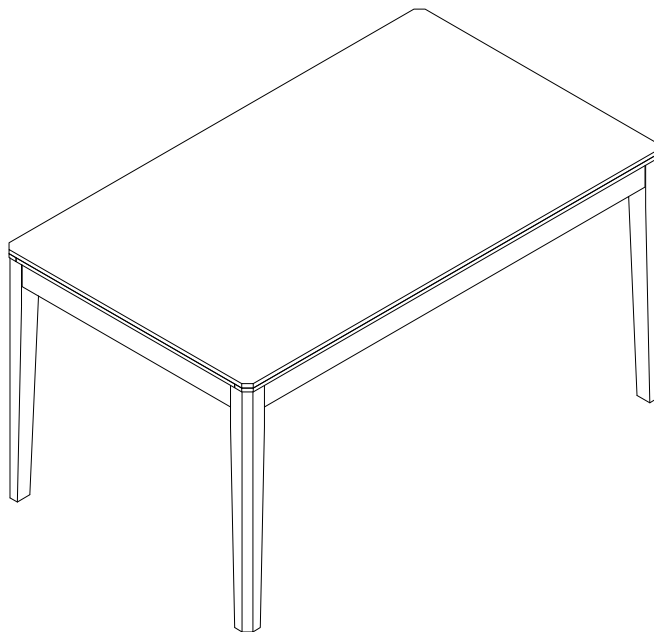
Thank you for purchasing this quality product. Be sure to check all packing material carefully for small parts that may have come loose inside the carton during shipment.

PARTS / TABLE				HARDWARE LIST / TABLE				
NO	Description	Sketch	Q'ty	NO	Description	Sketch	Size	Q'ty
A	Table Top		1PC	1	Long Bolt		Ø5/16" x 60mm	8PCS
B	Table leg		4PCS	2	Lock Washer		Ø5/16"x13D x 2mm	8PCS
				3	Flat Washer		Ø5/16"x19D x 2mm	8PCS
				4	Allen Key		4mm	1PC

Step 1



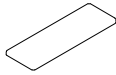
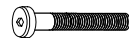


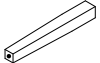


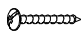
Completed



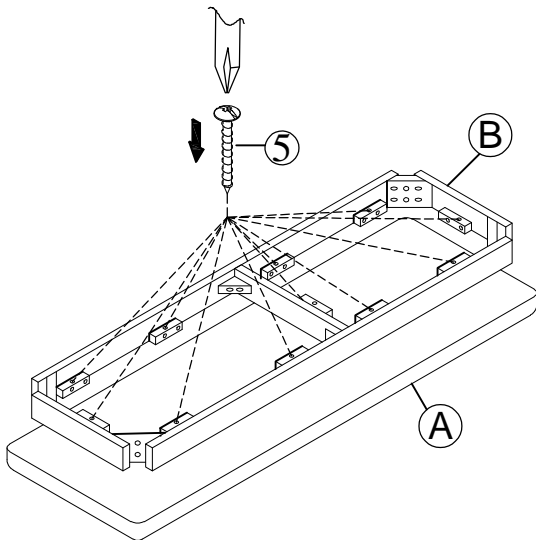
ASSEMBLY INSTRUCTION

ITEM NO: SH1186: 6-PIECES PACK DINETTE SET

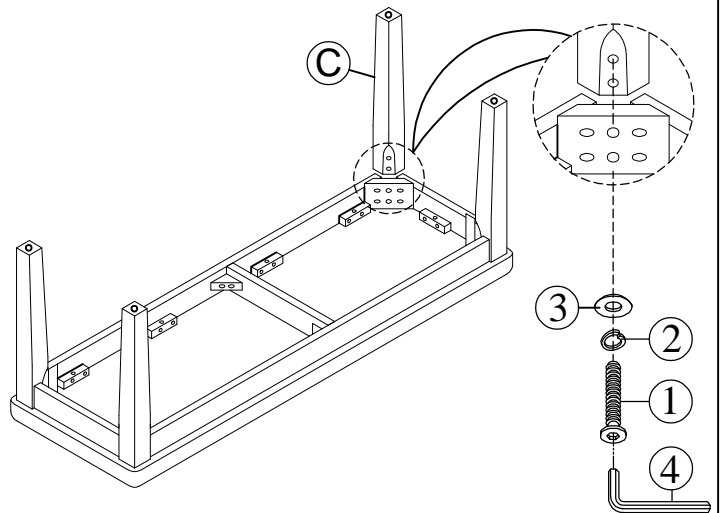
Thank you for purchasing this quality product. Be sure to check all packing material carefully for small parts that may have come loose inside the carton during shipment.

PARTS / BENCH				HARDWARE LIST / BENCH				
NO	Description	Sketch	Q'ty	NO	Description	Sketch	Size	Q'ty
A	Seat Cushion		1PC	1	Long Bolt		Ø5/16" x 60mm	8PCS
B	Seat Frame		1PC	2	Lock Washer		Ø5/16"x13D x 2mm	8PCS
C	Leg		4PCS	3	Flat Washer		Ø5/16"x19D x 2mm	8PCS
				4	Allen Key		4mm	1PC
				5	Screw		#4"x25mm	11PCS

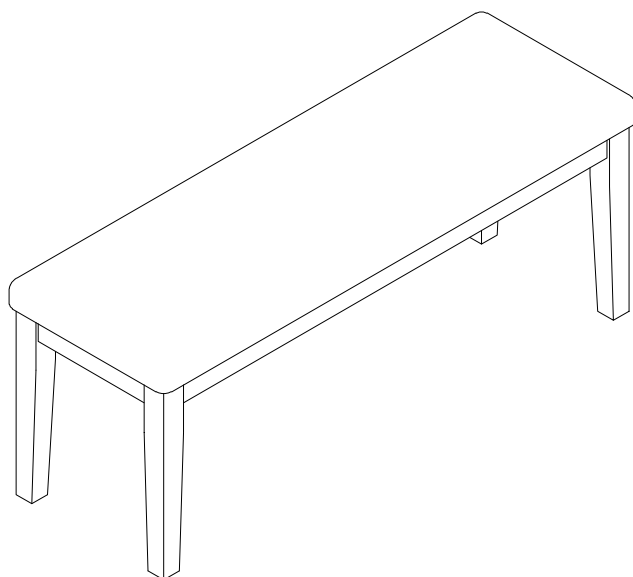
Step 1



Step 2



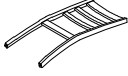

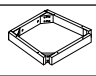
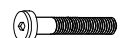

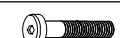
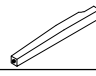



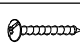
Completed

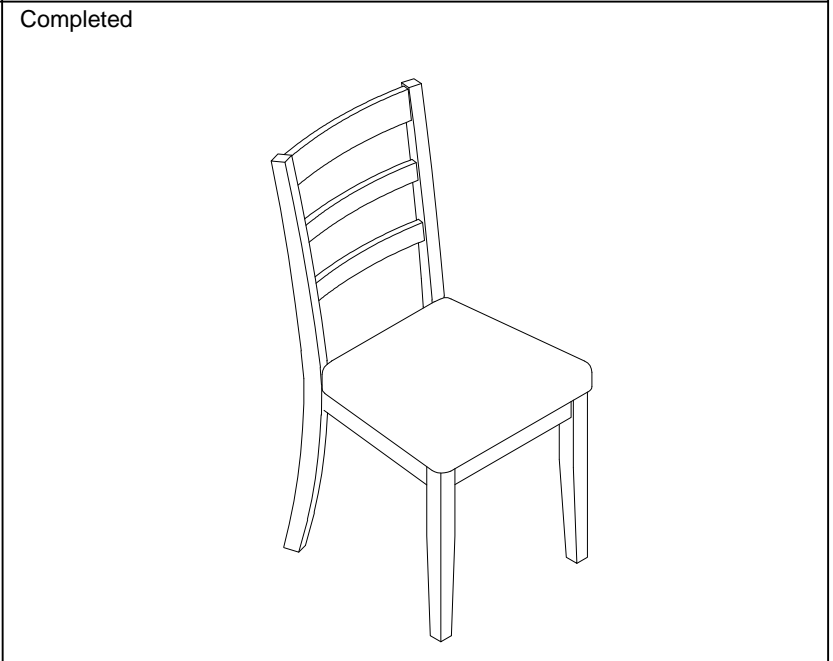
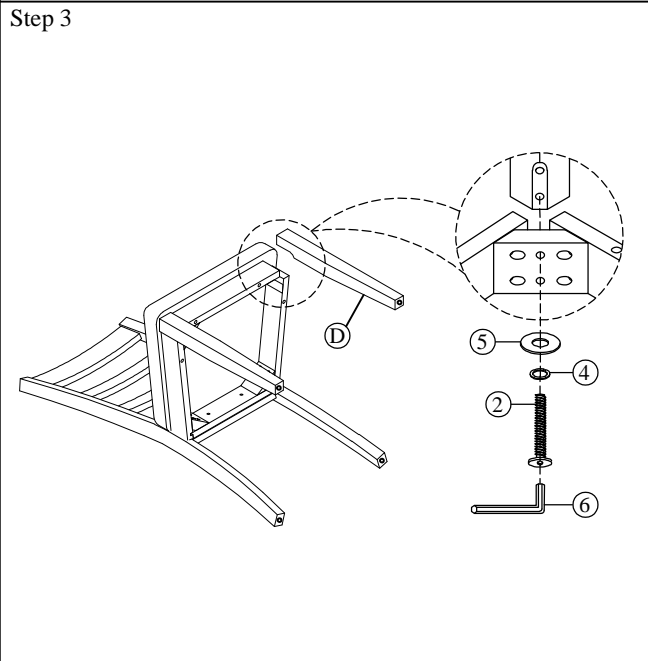
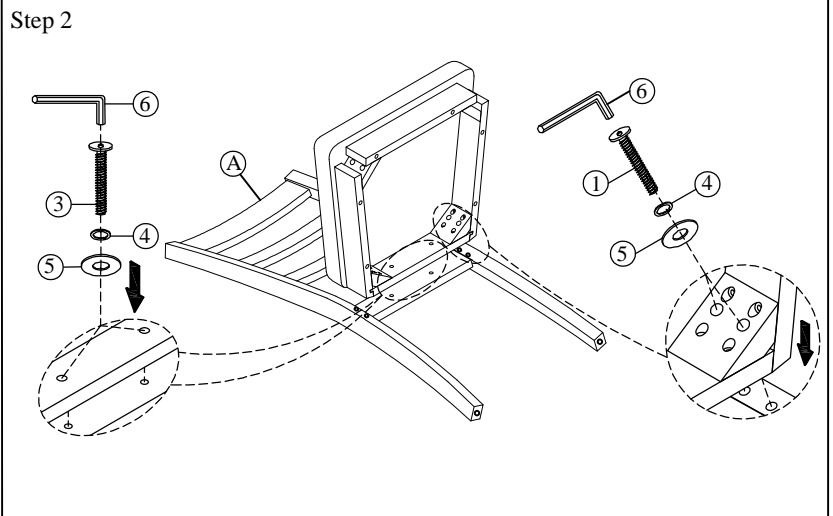
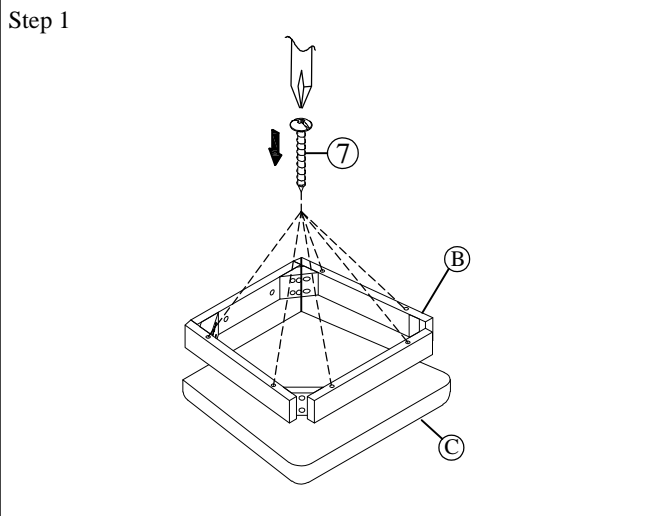


ASSEMBLY INSTRUCTION

ITEM NO: SH1186: 6-PIECES PACK DINETTE SET

Thank you for purchasing this quality product. Be sure to check all packing material carefully for small parts that may have come loose inside the carton during shipment.

PARTS / CHAIR				HARDWARE LIST / CHAIR				
NO	Description	Sketch	Qty	NO	Description	Sketch	Size	Qty
A	Chair Back		1PC	1	Long Bolt		Ø1/4" x 75mm	4PCS
B	Seat Frame		1PC	2	Medium Bolt		Ø1/4" x 50mm	4PCS
C	Seat Cushion		1PC	3	Short Bolt		Ø1/4" x 38mm	2PCS
D	Front Leg		2PCS	4	Lock Washer		Ø1/4"x11D x 2mm	10PCS
				5	Flat Washer		Ø1/4"x19D x 2mm	10PCS
				6	Allen Key		4mm	1PC
				7	Screws		#4"x38mm	6PCS



DO NOT TIGHTEN BOLTS UNTIL COMPLETELY ASSEMBLED.

It is recommended to install protective pads under all legs and supports to avoid damage or scratches when placing furniture on a wood floor or other hard surface, and to limit indentation and prevent discoloration if placing on carpet.