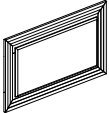
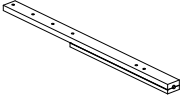
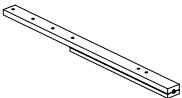

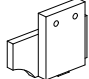
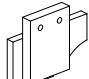
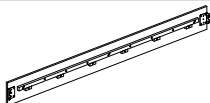
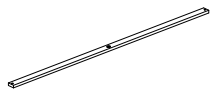
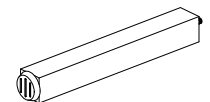


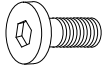
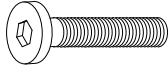

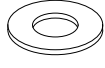
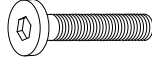
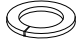


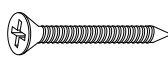

ASSEMBLY INSTRUCTIONS

SH2319-1 QUEEN BED

Thank you for purchasing this product. Please take time to read and follow the instructions below. Check that you have all parts and hardware before assembly. Parts apparently missing are often found in the packing materials. If you do not have all the parts listed, have your dealer contact us and they will be sent to you immediately.

 **It is recommended to install protective pads under all legs and supports to avoid damage or scratches when placing furniture on a wood floor or other hard surface, and to limit indentation and prevent discoloration if placing on carpet.**

| PART LIST | | | |
|-----------|-------------------|---|-----|
| ITEM | DESCRIPTION | SKETCH | QTY |
| A | HEADBOARD |  | 1 |
| B | HEADBOARD LEG (L) |  | 1 |
| C | HEADBOARD LEG (R) |  | 1 |
| D | FOOTBOARD |  | 1 |
| E | FOOTBOARD LEG (L) |  | 1 |
| F | FOOTBOARD LEG (R) |  | 1 |
| G | SIDE RAIL |  | 2 |
| H | SLAT |  | 4 |
| I | SLAT SUPPORT LEG |  | 4 |

| HARDWARE LIST | | | |
|---------------|----------------------------|---|-----|
| ITEM | DESCRIPTION | SKETCH | QTY |
| 1 | JCBB SCREW M8 x 16MM |  | 8 |
| 2 | JCBB SCREW M8 x 40MM |  | 8 |
| 3 | SPRING WASHER M8 x 14MM |  | 8 |
| 4 | FLAT WASHER M8 x 22MM |  | 8 |
| 5 | ALLEN KEY M5 |  | 1 |
| 6 | JCBC SCREW M6 x 40MM |  | 4 |
| 7 | SPRING WASHER M6 x 13MM |  | 4 |
| 8 | FLAT WASHER M6 x 19MM |  | 4 |
| 9 | ALLEN KEY M4 |  | 1 |
| 10 | CSK C/B SCREW M4 x 32MM |  | 8 |
| 11 | ADAPTOR |  | 1 |

MADE IN MALAYSIA

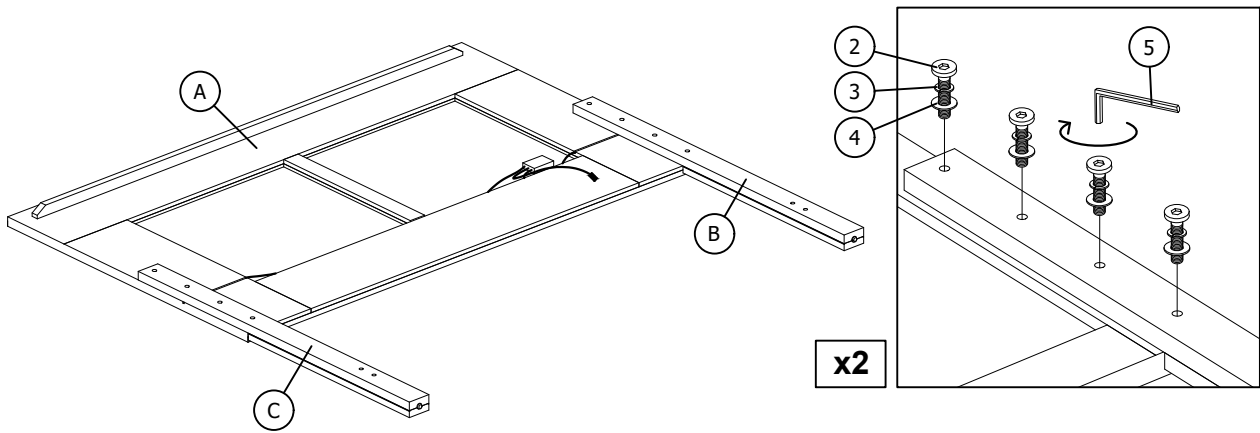
**DO NOT TIGHTEN BOLTS UNTIL COMPLETELY ASSEMBLED

ASSEMBLY INSTRUCTIONS

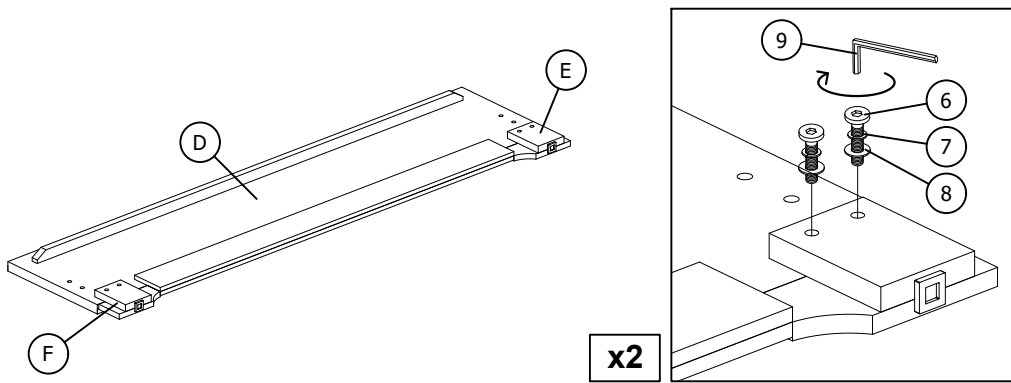
SH2319-1 QUEEN BED

(SH2319-1 QB) ASSEMBLE STEP

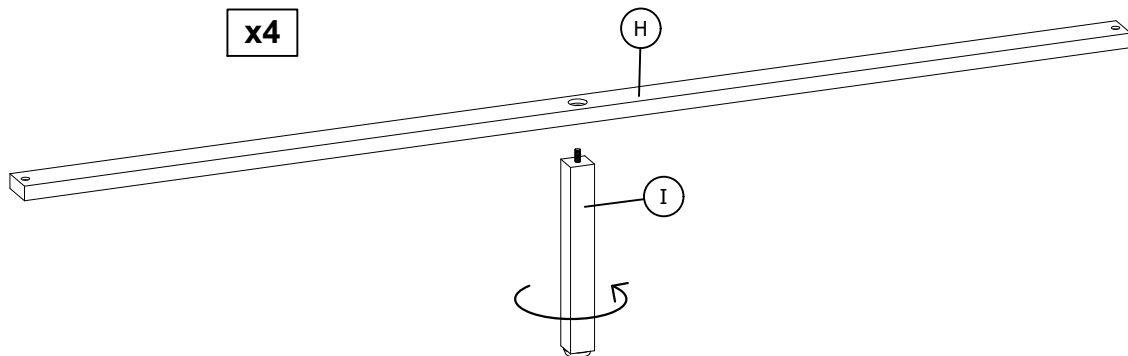
STEP 1



STEP 2



STEP 3



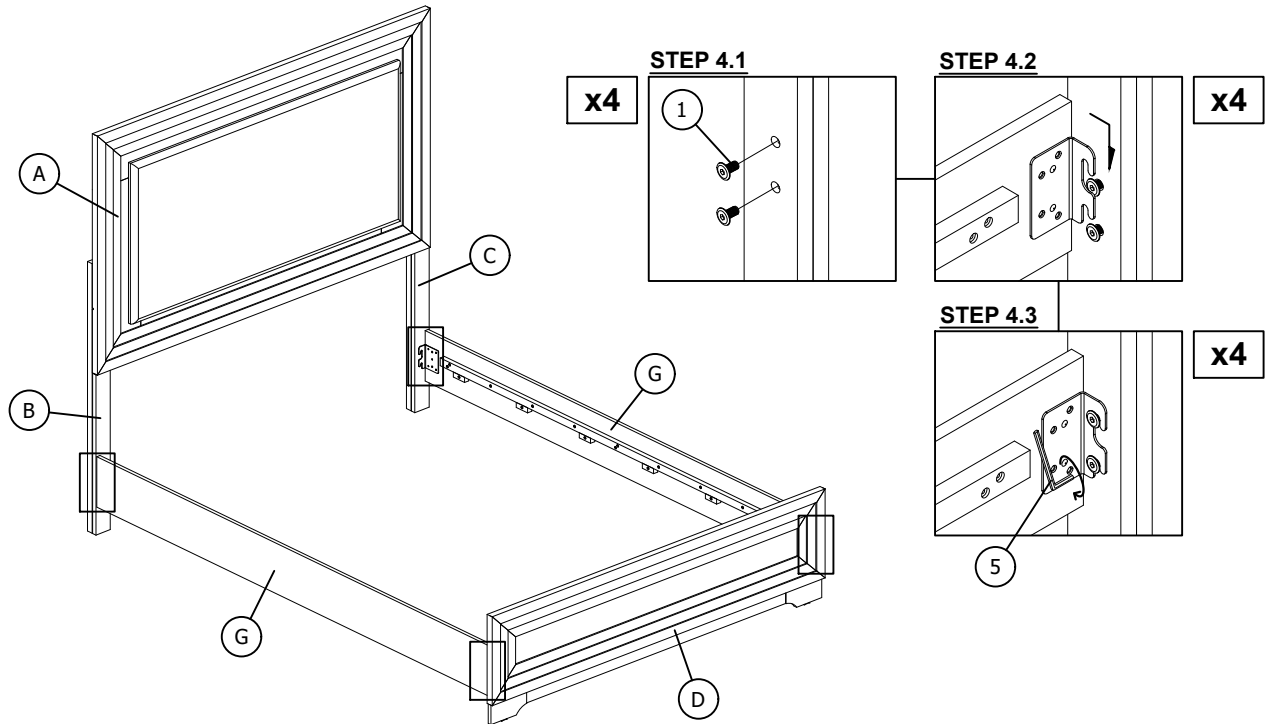
MADE IN MALAYSIA

**DO NOT TIGHTEN BOLTS UNTIL COMPLETELY ASSEMBLED

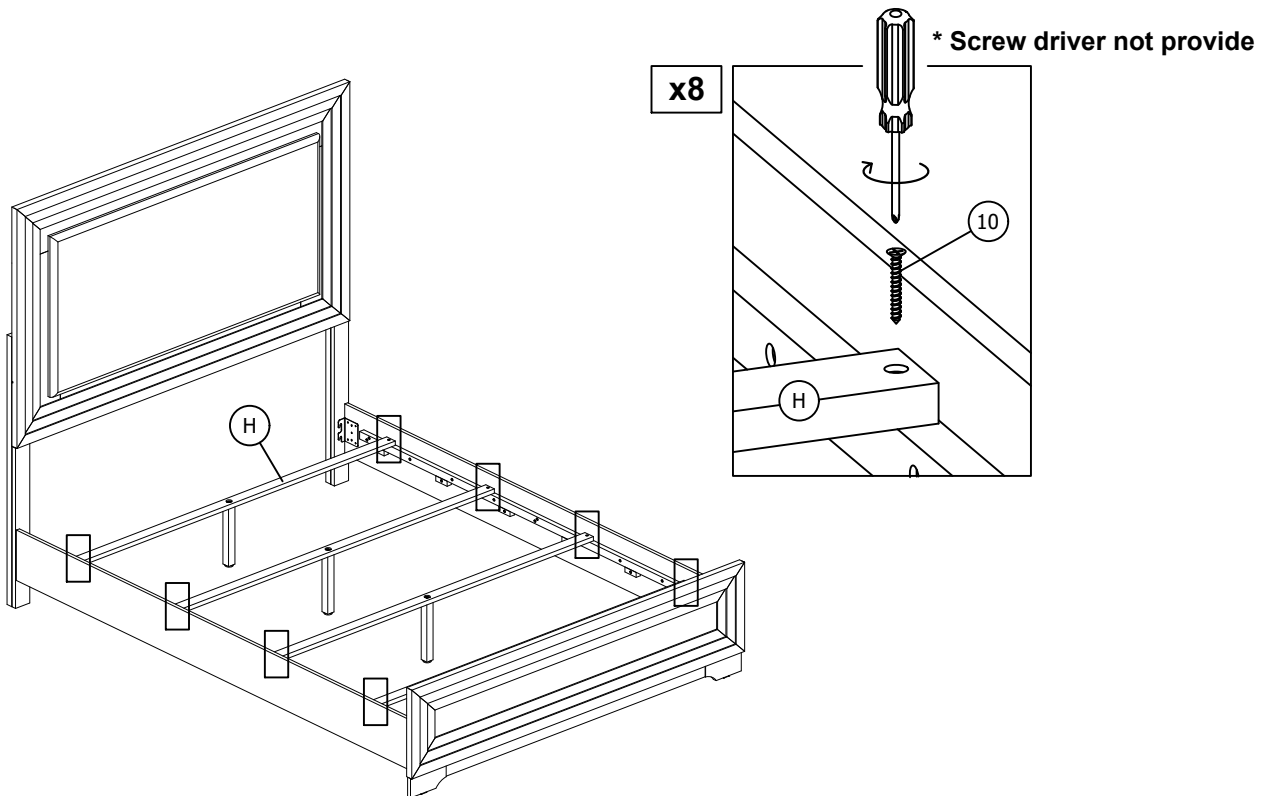
ASSEMBLY INSTRUCTIONS

SH2319-1 QUEEN BED

STEP 4



STEP 5



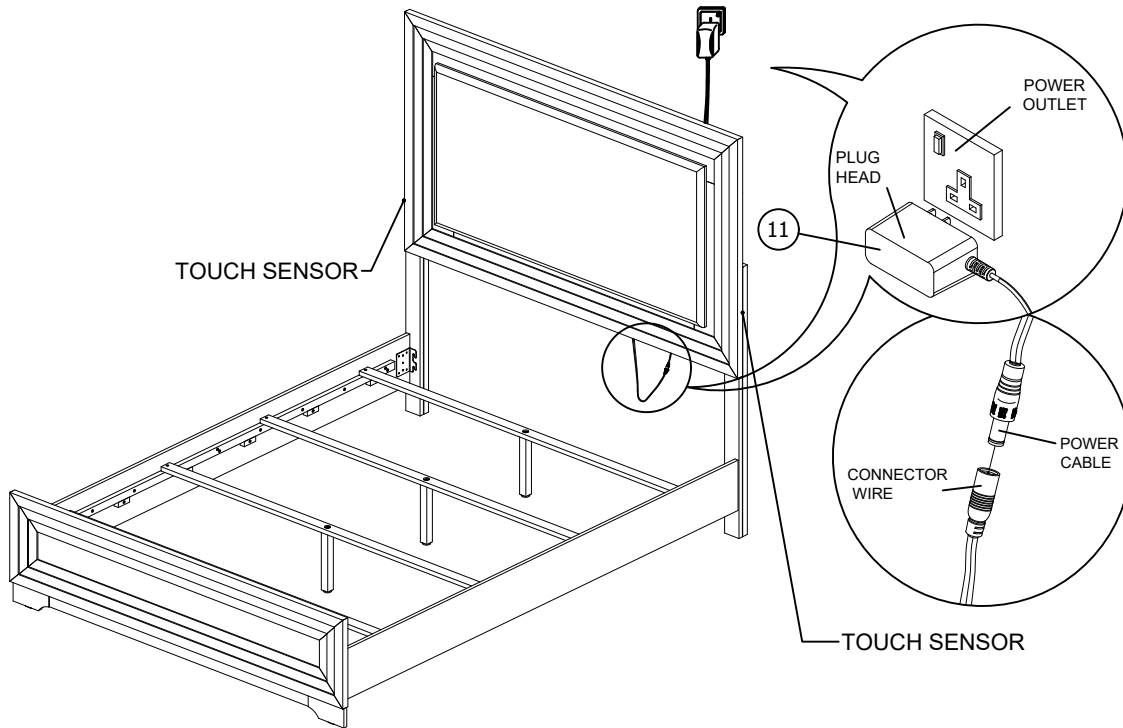
MADE IN MALAYSIA

**DO NOT TIGHTEN BOLTS UNTIL COMPLETELY ASSEMBLED

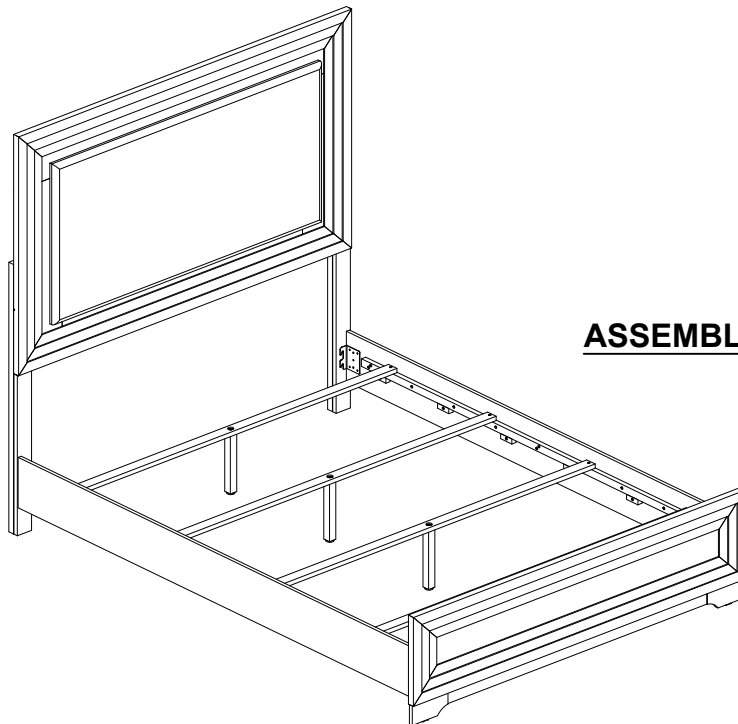
ASSEMBLY INSTRUCTIONS

SH2319-1 QUEEN BED

STEP 6



STEP 7



ASSEMBLY COMPLETED

MADE IN MALAYSIA

**DO NOT TIGHTEN BOLTS UNTIL COMPLETELY ASSEMBLED