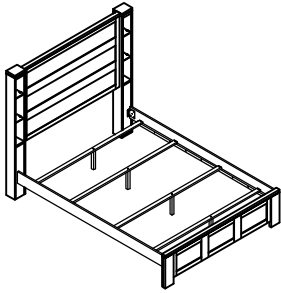




ASSEMBLY INSTRUCTION

ITEM NO: SH2525-1 / SH2525-P / SH2525-3 QUEEN BED
 SH2525-1 QUEEN PANEL HEADBOARD & FOOTBOARD.
 SH2525-P QUEEN / KING HEADBOARD LEG.
 SH2525-3 QUEEN / KING SIDE RAILS.



Thank you for purchasing this product. Please take time to read and follow the instructions below. Check that you have all parts and hardware before assembly. Parts apparently missing are often found in the packing materials. If you do not have all the parts listed, have your dealer contact us and they will be sent to you immediately.



It is recommended to install protective pads under all legs and supports to avoid damage or scratches when placing furniture on a wood floor or other hard surface, and to limit indentation and prevent discoloration if placing on carpet.



Hardware may loosen over time. Periodically check to make sure all connection are tight. Re-tighten if necessary.

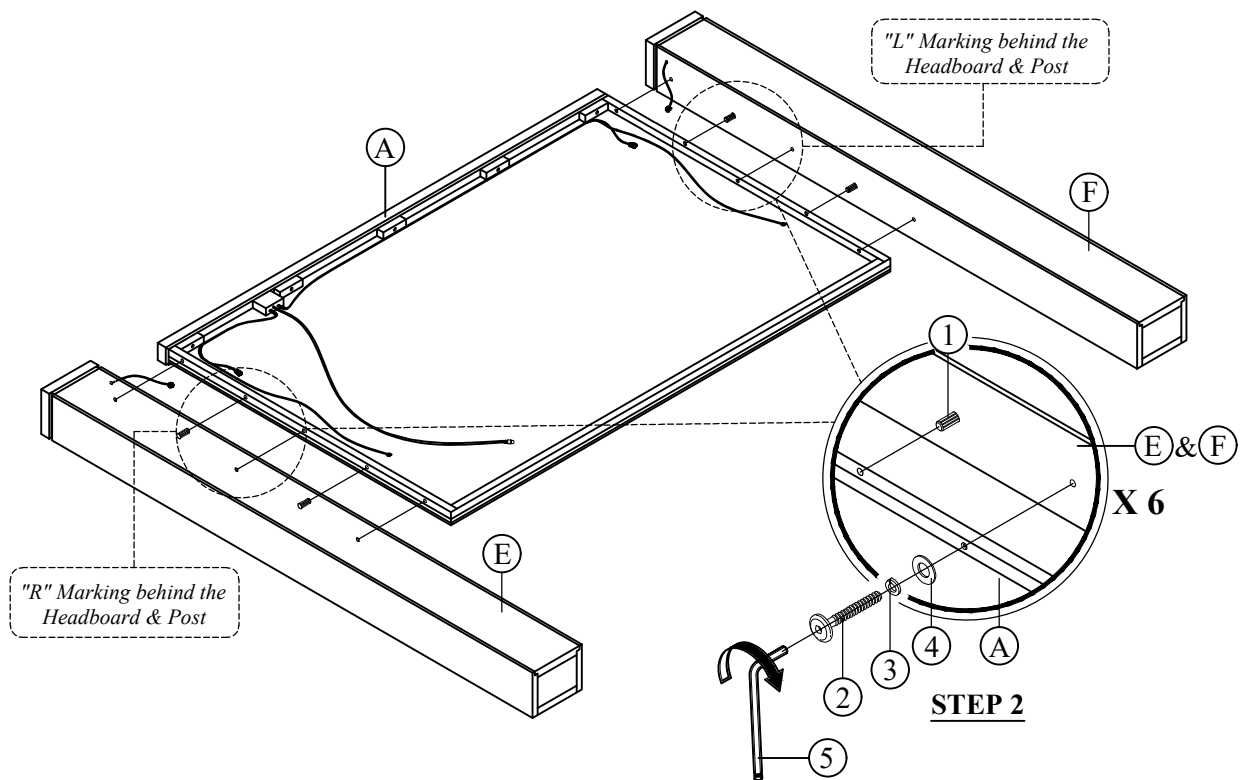
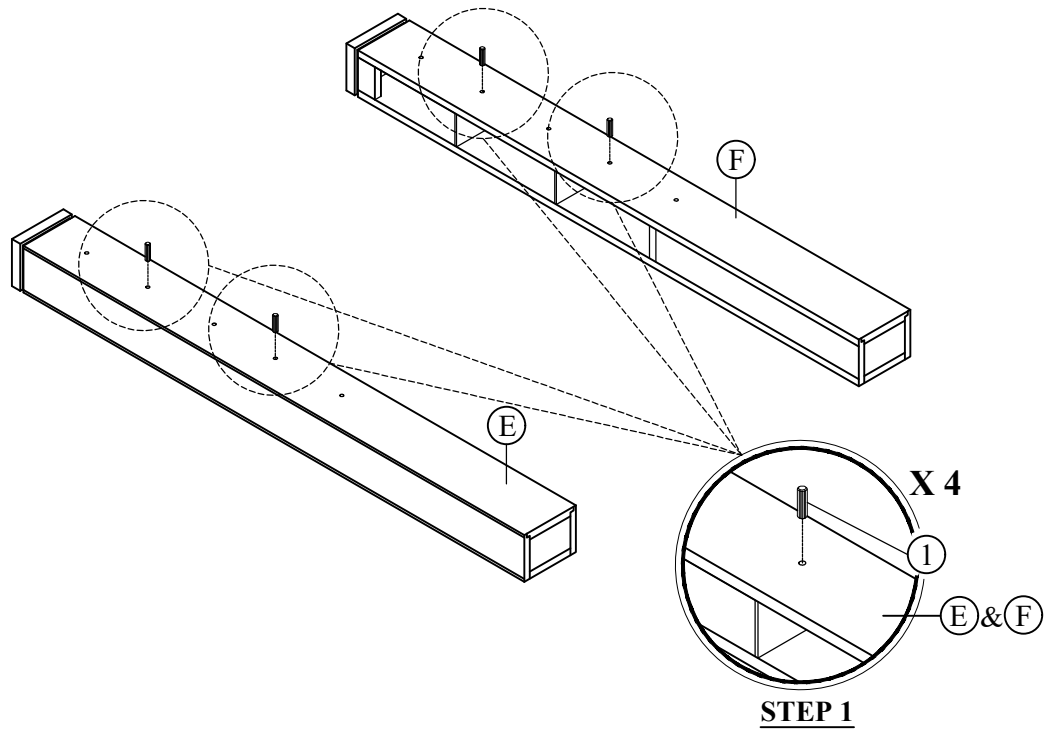
SH2525-1 PARTS LIST				HARDWARE LIST			
NO	SKETCH	DESCRIPTION	QTY	NO	SKETCH	DESCRIPTION	QTY
A		Headboard	1PC	1		Wood Dowel (M10 x 30mm)	4PCS
B		Footboard	1PC	2		JCBC Bolt (M6 x 35mm)	6PCS
C		Slat 3 Holes	4PCS	3		Spring Washer ($\text{\O}4''$)	6PCS
D		Support Leg with Levelled	4PCS	4		Flat Washer ($\text{\O}4''$ x 20mm)	6PCS
SH2525-P PARTS LIST				5		Allen Key (M4 x 100mm)	1PC
NO	SKETCH	DESCRIPTION	QTY	6		Allen Key (M5 x 65mm)	1PC
E		RSF Post	1PC	7		Screw (CSK M4 x 32mm)	8PCS
F		LSF Post	1PC	8		DC Adapter	1PC
SH2525-3 PARTS LIST				**ABOVE HARDWARE ARE PACKED IN SH2525-1 FOR ASSEMBLY.			
NO	SKETCH	DESCRIPTION	QTY				
G		Side Rail	2PCS				

DO NOT TIGHTEN BOLTS UNTIL COMPLETELY ASSEMBLED.



ASSEMBLY INSTRUCTION

ITEM NO: SH2525-1 / SH2525-P / SH2525-3 QUEEN BED
SH2525-1 QUEEN PANEL HEADBOARD & FOOTBOARD.
SH2525-P QUEEN / KING HEADBOARD LEG.
SH2525-3 QUEEN / KING SIDE RAILS.

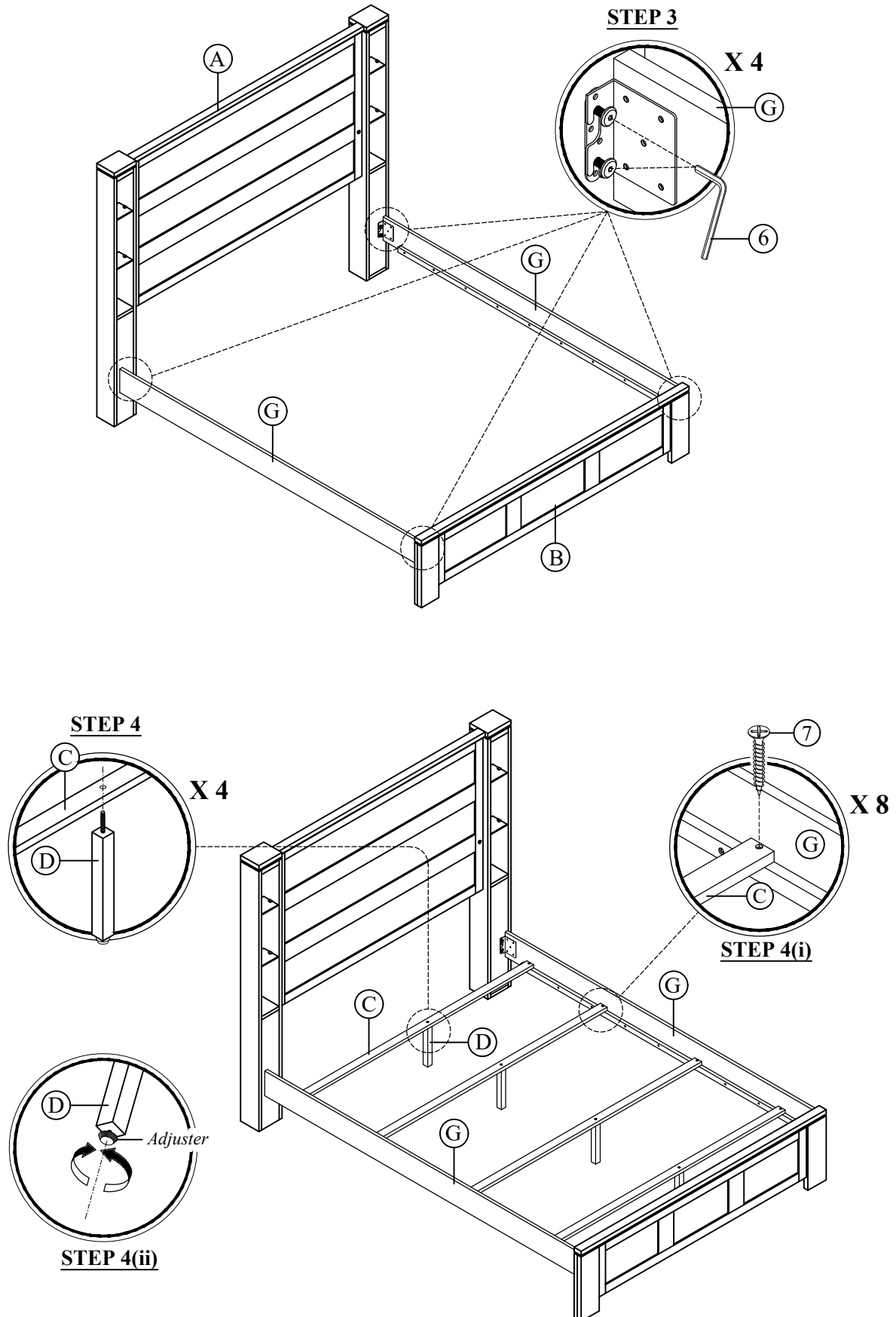


DO NOT TIGHTEN BOLTS UNTIL COMPLETELY ASSEMBLED.



ASSEMBLY INSTRUCTION

ITEM NO: SH2525-1 / SH2525-P / SH2525-3 QUEEN BED
SH2525-1 QUEEN PANEL HEADBOARD & FOOTBOARD.
SH2525-P QUEEN / KING HEADBOARD LEG.
SH2525-3 QUEEN / KING SIDE RAILS.

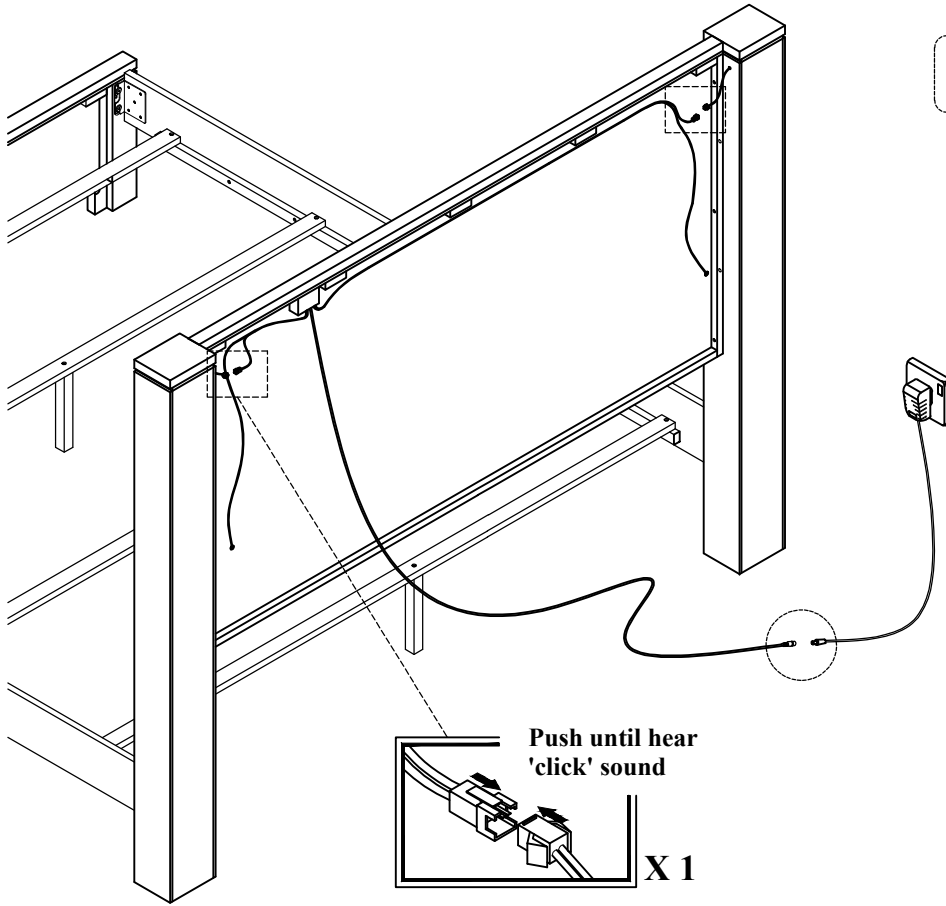


DO NOT TIGHTEN BOLTS UNTIL COMPLETELY ASSEMBLED.

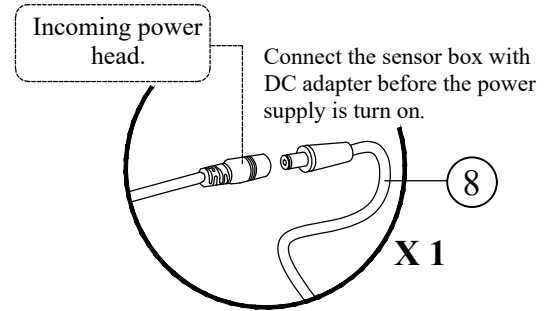


ASSEMBLY INSTRUCTION

ITEM NO: SH2525-1 / SH2525-P / SH2525-3 QUEEN BED
SH2525-1 QUEEN PANEL HEADBOARD & FOOTBOARD.
SH2525-P QUEEN / KING HEADBOARD LEG.
SH2525-3 QUEEN / KING SIDE RAILS.



STEP 5



STEP 5(i)

Warning !
Caution ! : Please do not touch the chrome button with wet hand /

DO NOT TIGHTEN BOLTS UNTIL COMPLETELY ASSEMBLED.