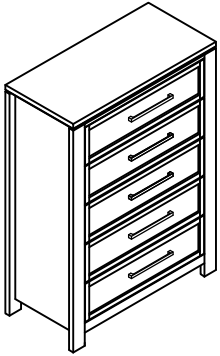


# ASSEMBLY INSTRUCTION

## ITEM NO: SH2525-9 CHEST



Thank you for purchasing this product. Please take time to read and follow the instructions below. Check that you have all parts and hardware before assembly. Parts apparently missing are often found in the packing materials. If you do not have all the parts listed, have your dealer contact us and they will be sent to you immediately.



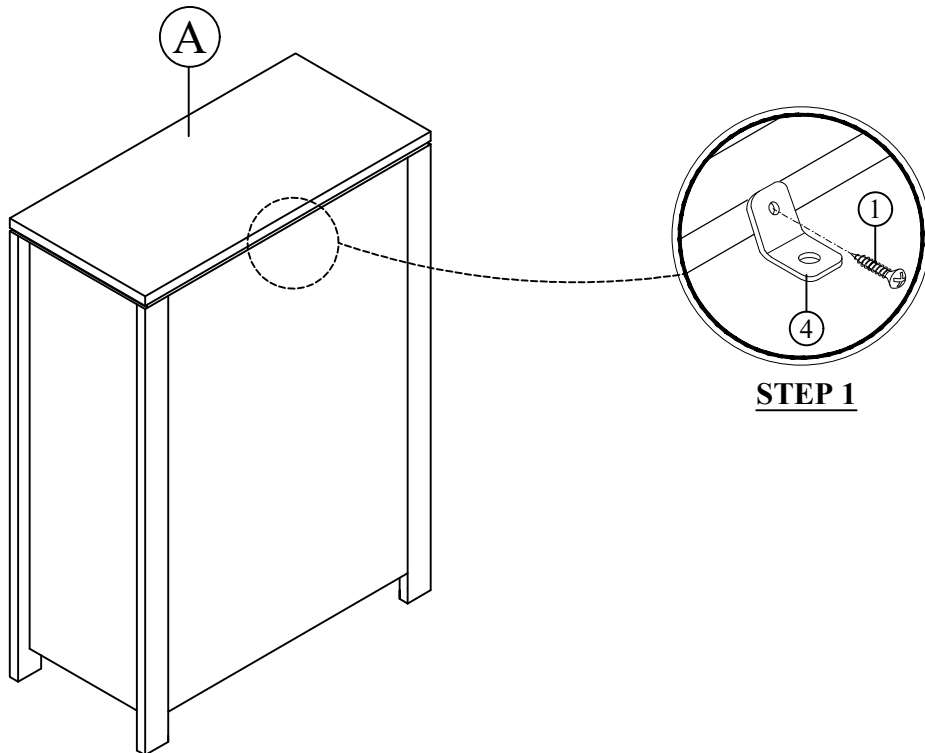
It is recommended to install protective pads under all legs and supports to avoid damage or scratches when placing furniture on a wood floor or other hard surface, and to limit indentation and prevent discoloration if placing on carpet.



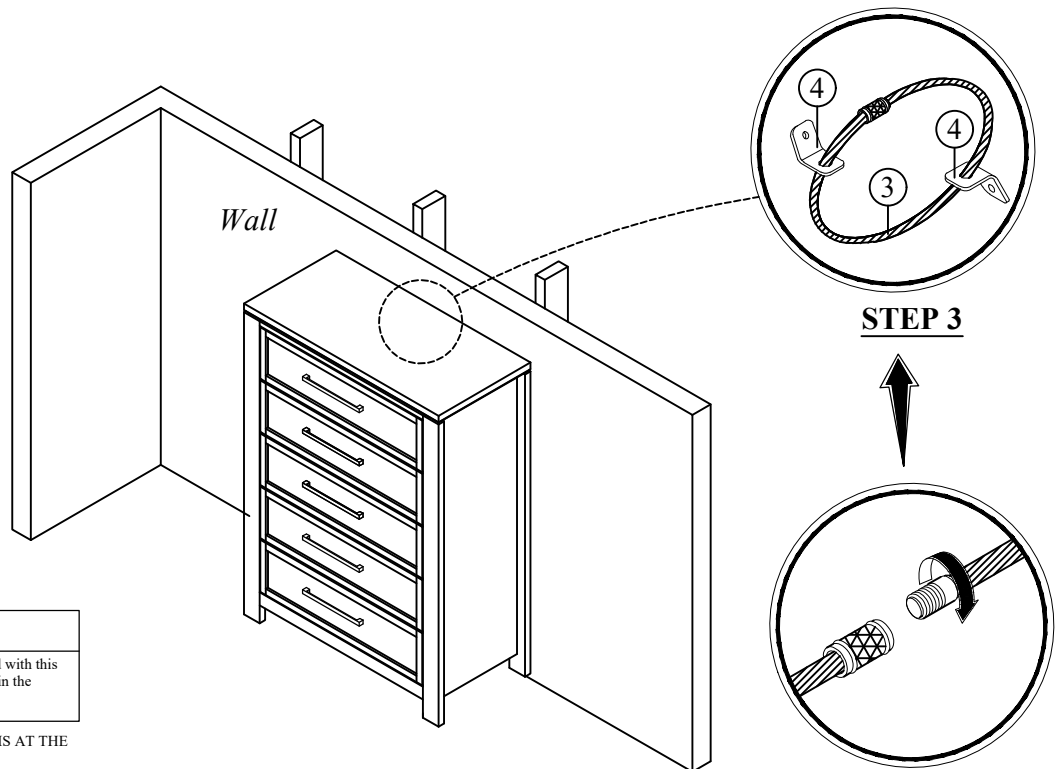
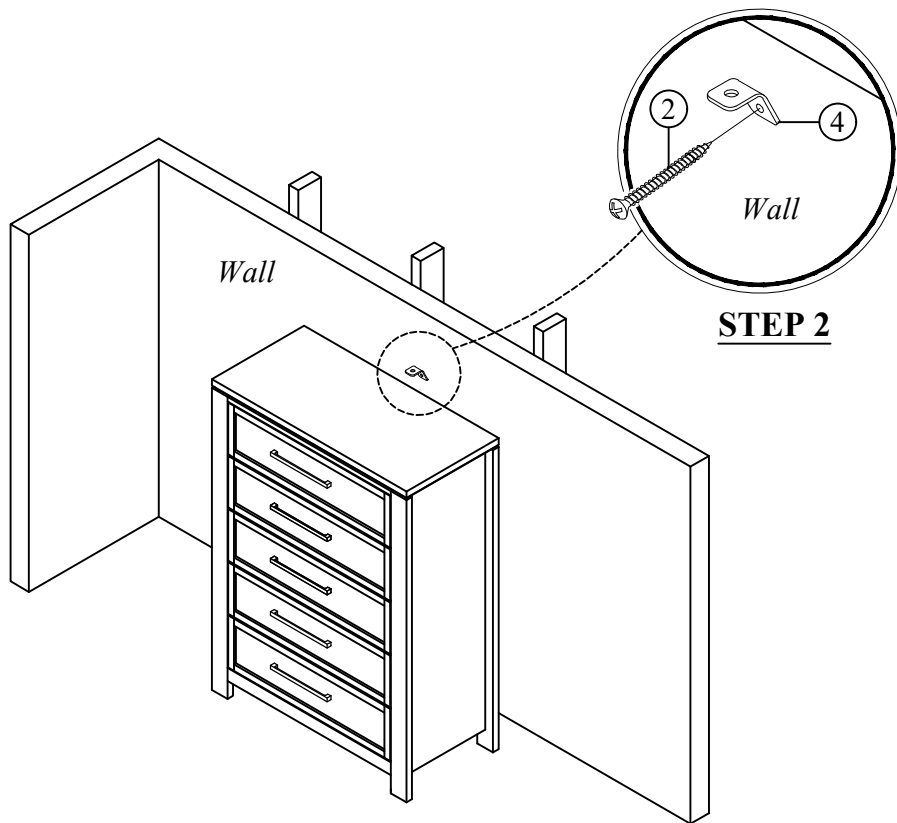
Hardware may loosen over time. Periodically check to make sure all connection are tight. Re-tighten if necessary.

SH2525-9 PARTS LIST				HARDWARE LIST			
NO	SKETCH	DESCRIPTION	QTY	NO	SKETCH	DESCRIPTION	QTY
A		Chest	1PC	1		16MM Screw	1PC
				2		50MM Screw	1PC
				3		Steel Cable	1PC
				4		L Bracket	2PCS

\*\*ABOVE HARDWARE ARE PACKED IN SH2525-9 FOR ASSEMBLY.



**ASSEMBLY INSTRUCTION**  
**ITEM NO: SH2525-9 CHEST**



**NOTE**

Tipping restraint hardware kit is included with this product. Refer to installation instruction in the hardware pack.

\* ANTI-TIPPING HARDWARE PACK IS AT THE BACK PANEL.