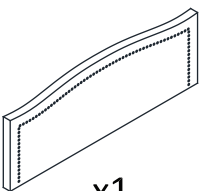
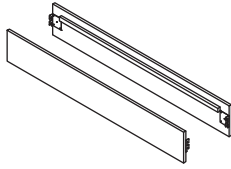
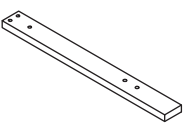
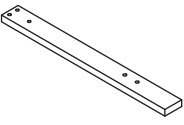
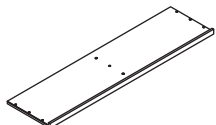
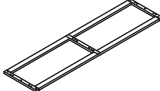
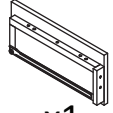
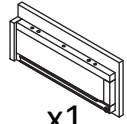
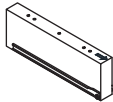
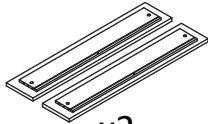
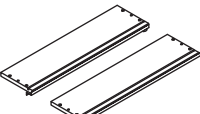
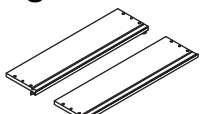
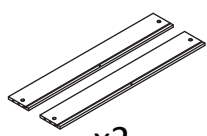
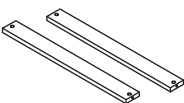
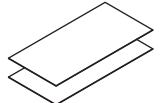
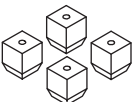
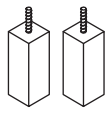
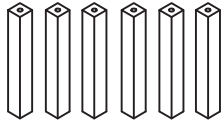
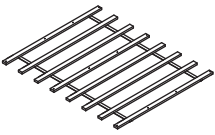
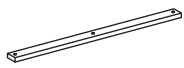






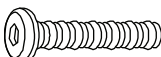



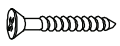


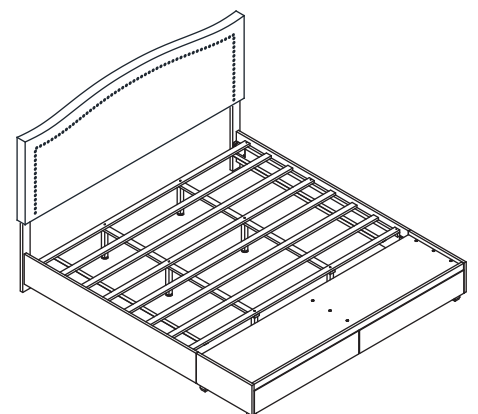


ASSEMBLY INSTRUCTION

SH2711BGEK-1EK & SH2711BLUK-1EK & SH2711DGRK-1EK

1 Headboard  x1	2 Side Rail  x2	3 Headboard Post (L)  x1	4 Headboard Post (R)  x1	5 Footboard Top Panel  x1
6 Footboard Bottom Panel  x1	7 Footboard Side Panel Left  x1	8 Footboard Side Panel Right  x1	9 Footboard Center Panel  x1	10 Drawer Head  x2
11 Drawer Boxes Left  x2	12 Drawer Boxes Right  x2	13 Drawer Boxes Back  x2	14 Drawer Support  x2	15 Drawer Panel  x2
16 Footboard Leg  x4	17 Drawer Support Leg With Leveler  x2	18 Support Leg with adjustable feet  x6	19 Slat  x8	20 Center Rail  x2
A Minifix Cam Lock  x12	B Minifix Cam Bolt  x12	C Wood Dowel M10 x 30mm  x12	D Wood Dowel M6 x 30mm  x16	E Bolts M8 x 20mm  x8
F Bolts M6 x 40mm  x23	G Bolts M6 x 50mm  x10	H Lock Washer M6 x 12mm  x23	I Flat Washer M6 x 13mm  x9	J Flat Washer M6 x 19mm  x14
K Screw M4 x 32mm  x6	L Allen Key M4 x 100mm  x1	M Allen Key M5 x 65mm  x1		

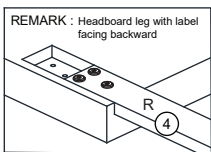
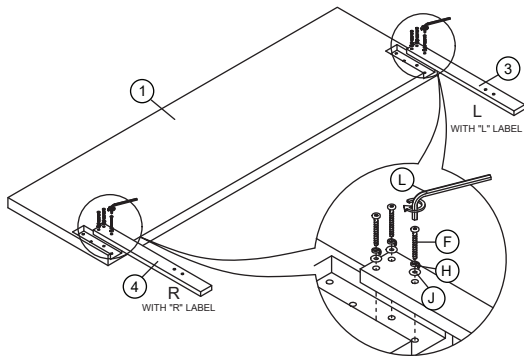
This page lists all the contents included in the box. Please take the time to identify the hardware as well as the individual components to this product. As you unpack and prepare for assembly, place the contents on a carpeted or padded area to protect them from damage.



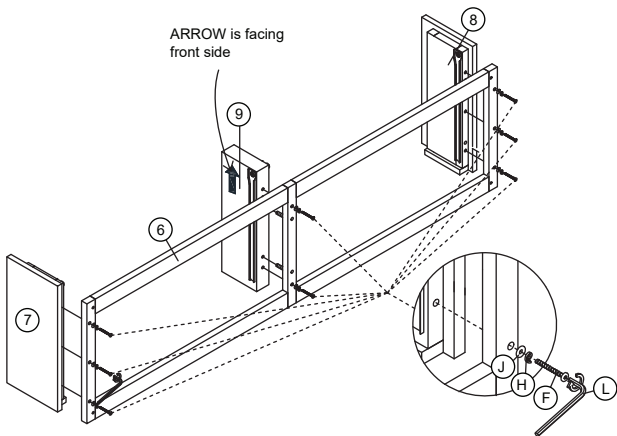
ASSEMBLY INSTRUCTION

SH2711BGEK-1EK & SH2711BLUK-1EK & SH2711DGRK-1EK

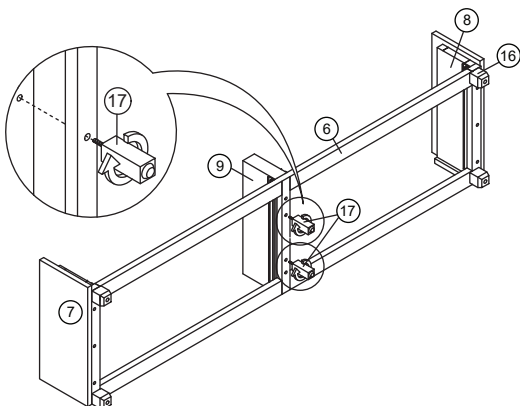
1



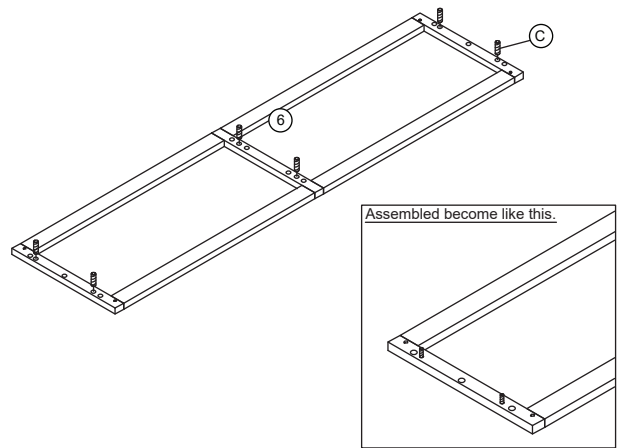
3



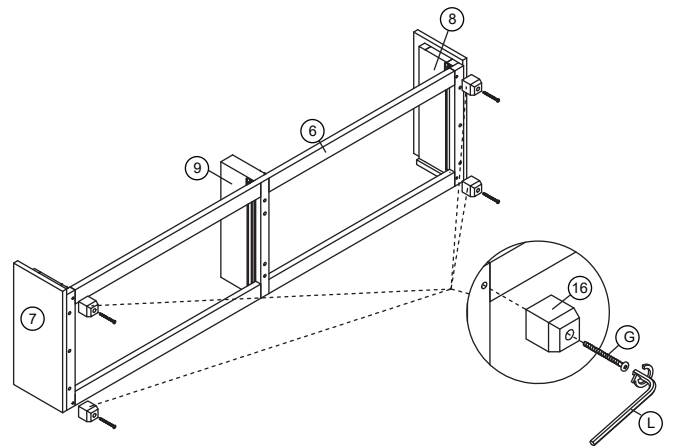
5



2



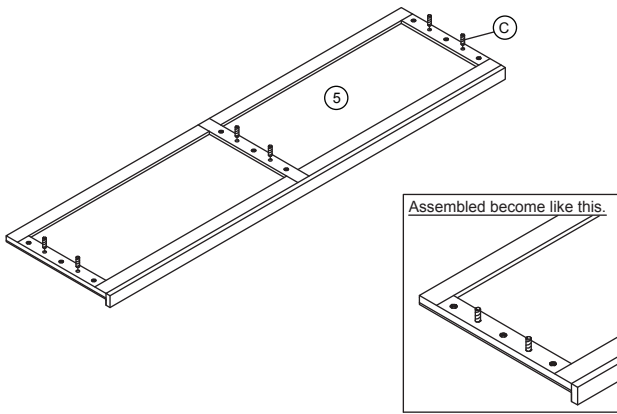
4



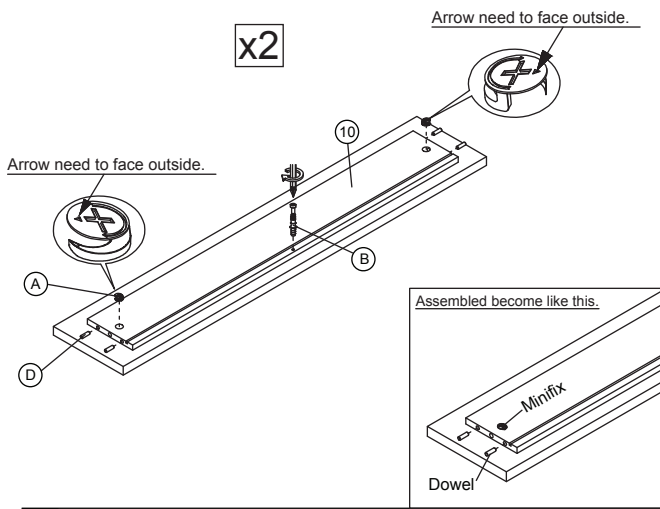
ASSEMBLY INSTRUCTION

SH2711BGEK-1EK & SH2711BLUK-1EK & SH2711DGRK-1EK

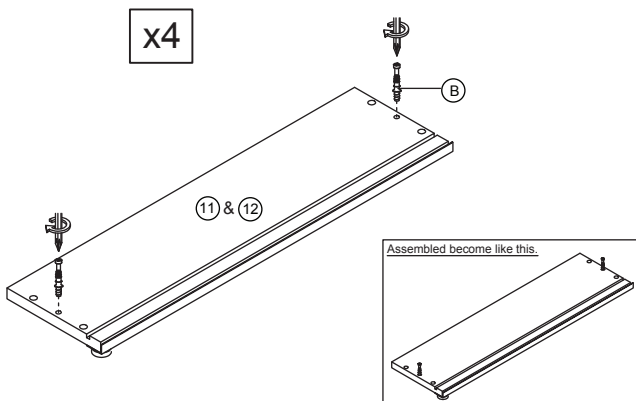
6



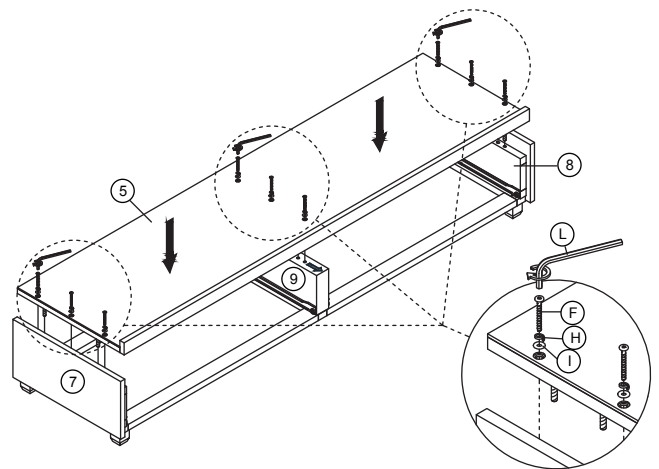
8



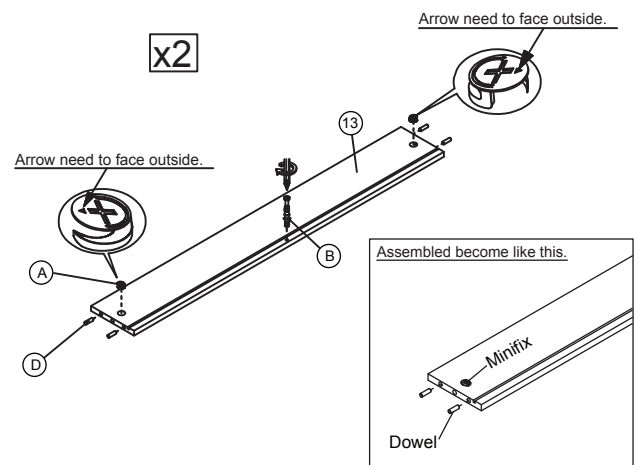
10



7



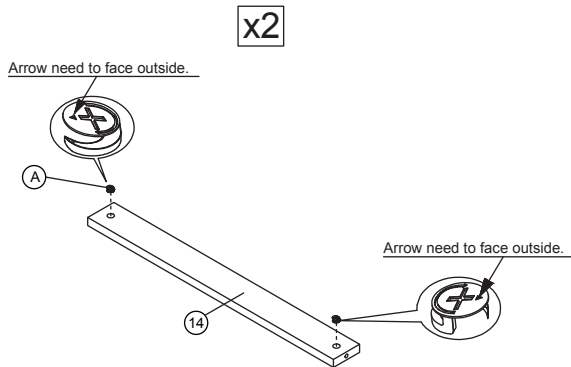
9



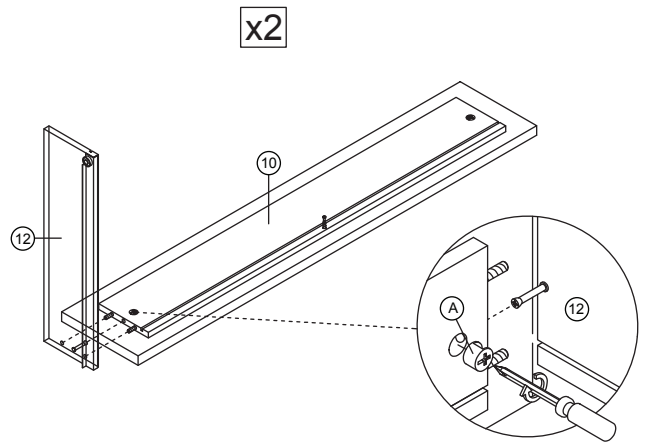
ASSEMBLY INSTRUCTION

SH2711BGEK-1EK & SH2711BLUK-1EK & SH2711DGRK-1EK

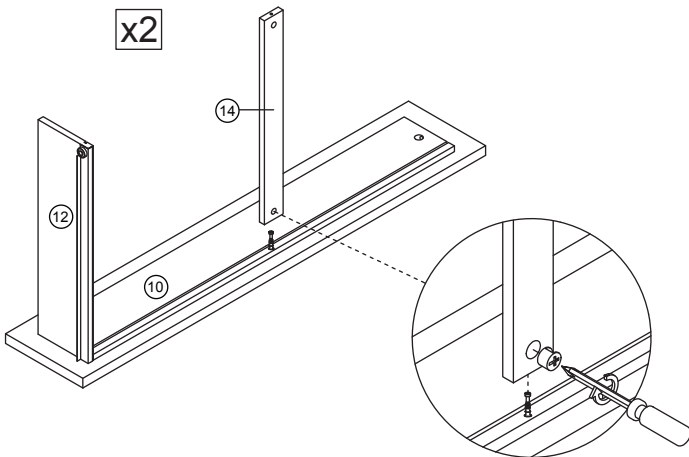
11



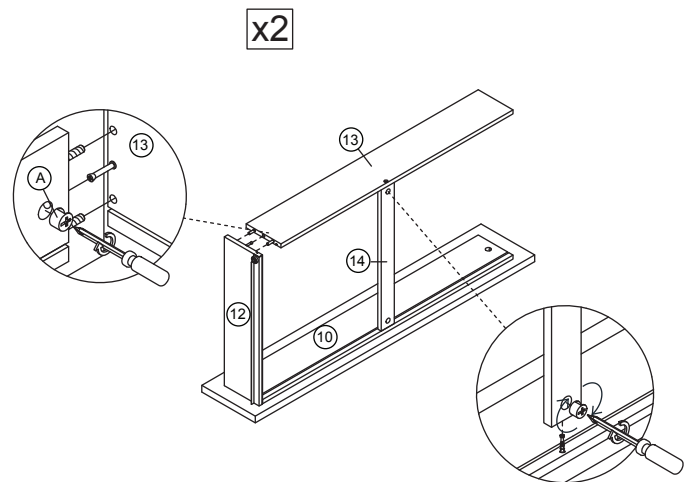
12



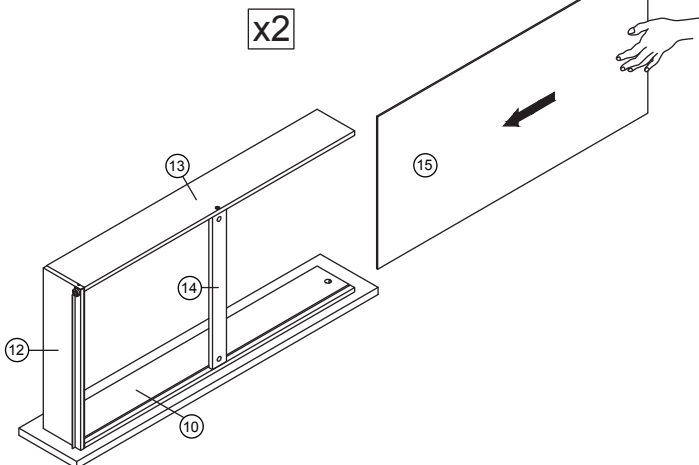
13



14



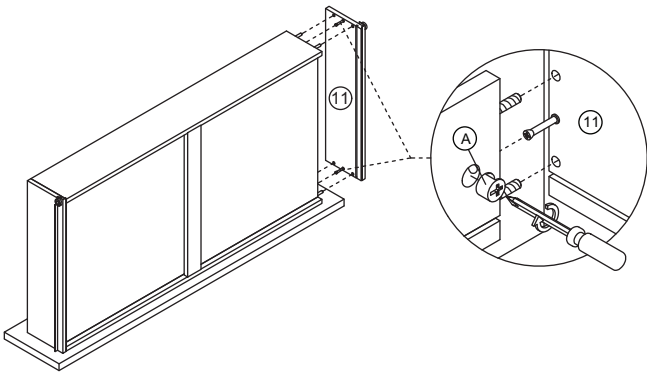
15



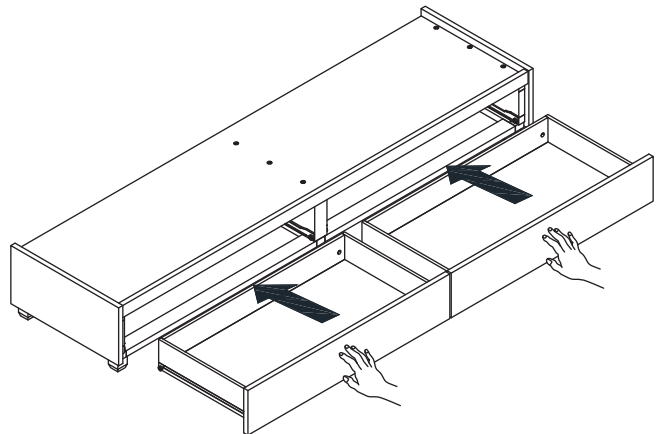
ASSEMBLY INSTRUCTION

SH2711BGEK-1EK & SH2711BLUK-1EK & SH2711DGRK-1EK

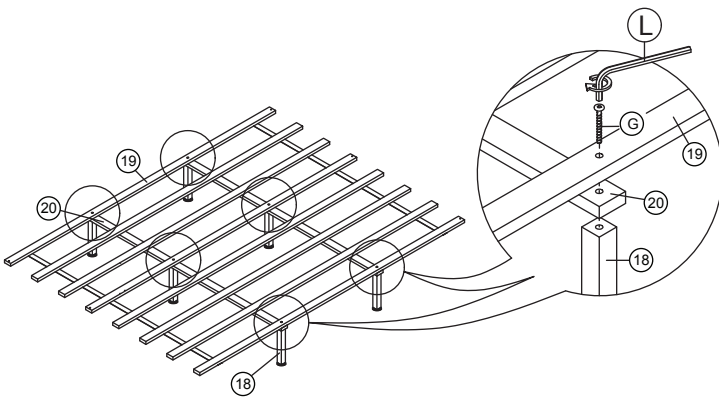
16



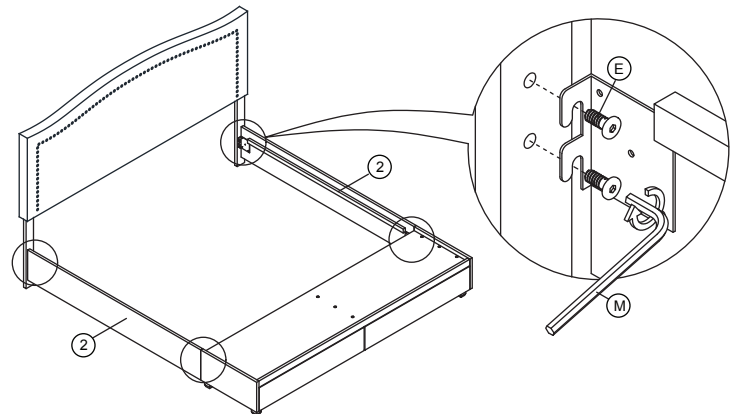
17



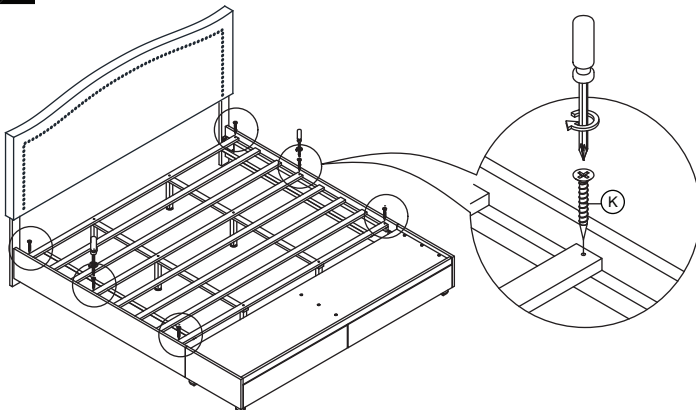
18



19



20



Cleaning & Care

Treat surface with care. Surface is resistant to scratches but is not scratch resistant. Clean surfaces with a dry or damp soft cloth. Do not use abrasive cleaners. Hardware may loosen over time. Periodically check that all connections are tight.