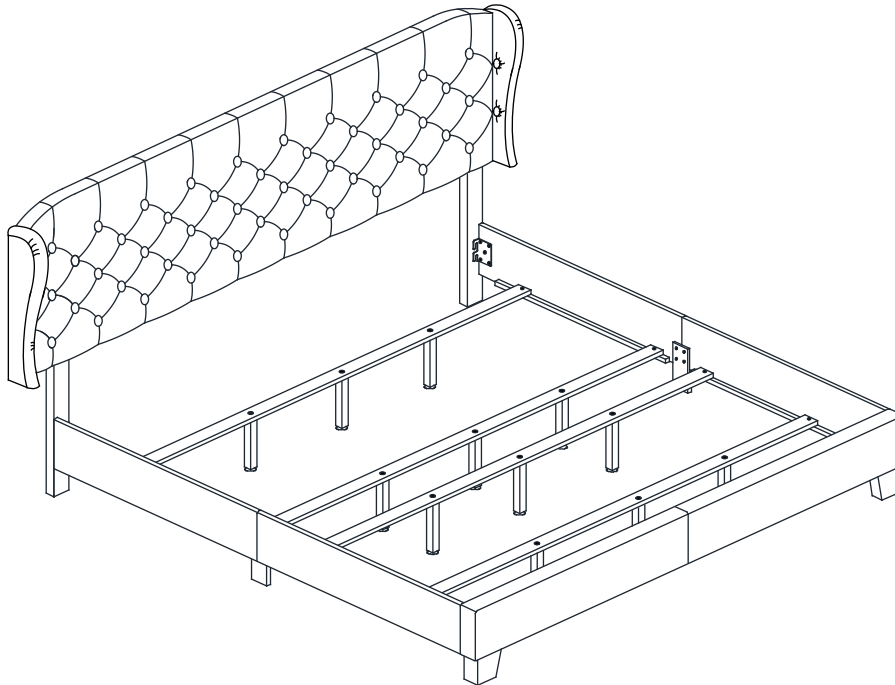




ITEM#: A7 K

ALTON FURNITURE GROUP

A RENOWNED NAME  
FURNISH A BETTER LIFE



# CAUTION

## **Please do not return this item to the store where it was purchased**

We appreciate your selection of our product. You can have confidence in this product that incorporates quality components. Please do not return this item to where it was purchased, if any question, please contact our Customer Service Department at 1-866-558 -0211 between 8:30am- 5:00pm(Pacific Time) Monday through Friday, or E-mail us at [info@altonfurniture.com](mailto:info@altonfurniture.com)

## **Quality statement**

AFG is appreciates your selection of this product, we know you had many other choices. Please pay attention that proper care and cleaning at home will extend the life of your purchase. Following these important and helpful tips will enhance your furniture as it ages.

## **Upholstered furniture care instructions**

- Vacuum your upholstered furniture regularly. Small dust particles are very abrasive and can wear furniture prematurely.
- Blot spills immediately to prevent staining. If necessary, gently wipe away the spill using a soft, clean cloth dampened with lukewarm water. Allow to dry and brush lightly.
- Never use harsh chemicals or solvents on your upholstered furniture as this may damage the finish.
- Never use water to clean your furniture as it may cause damage to the finish.
- If you choose to use a professional product, pretest the fabric in an inconspicuous area for any signs of discoloration or shrinking.
- Marks and stains from pens, crayons and ink markers are difficult to remove. In the event that your furniture becomes permanently stained, we recommend that you consult a professional expert.

Please contact our Customer Service Department for assistance at [info@altonfurniture.com](mailto:info@altonfurniture.com)

Page 1 of 12



ALTON FURNITURE GROUP

A RENOWNED NAME  
FURNISH A BETTER LIFE

## PARTS LIST

**PLEASE ALWAYS CHECK EVERY PART BEFORE ASSEMBLY**

A	1PCE	L	1PCE	R	1PCE
Headboard Panel		Left Headboard Leg		Right Headboard Leg	
B	1PCE	C	2PCS	D	2PCS
Footboard Panel		Wood Feet		Side Rail	
E	2PCS	F	2PCS	G	4PCS
Side Rail		Side Rail Support Legs		Slats	
H	12PCS	J	1PCE	K	1PCE
Support Legs		Left Wing Back		Right Wing Back	

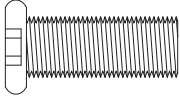
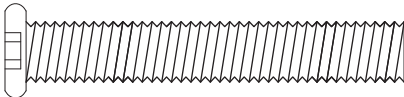
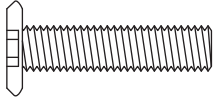
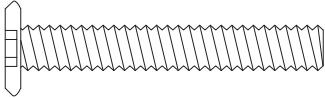
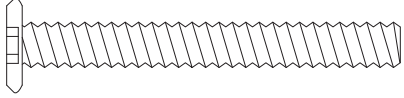
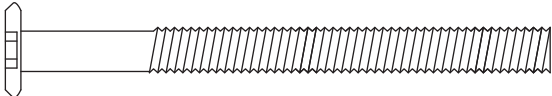


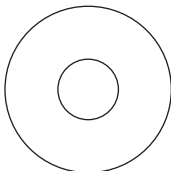



ALTON FURNITURE GROUP

A RENOWNED NAME  
FURNISH A BETTER LIFE

## HARDWARE LIST

PLEASE ALWAYS CHECK EVERY PART BEFORE ASSEMBLY

①	8PCS	②	4PCS	③	8PCS
Allen Bolts M8 x 20		Allen Bolts M8 x 50		Allen Bolts M6 x 25	
					
④	12PCS	⑤	6PCS		
Allen Bolts M6 x 40		Allen Bolts M6 x 50			
					
⑥	2PCS	⑦	2PCS		
Allen Bolts M6 x 70		Wood Dowel			
					
⑧	4PCS	⑨	4PCS	⑩	14PCS
Spring Washers M8		Flat Washers M8		Spring Washers M6	
					

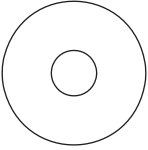
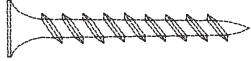




ALTON FURNITURE GROUP

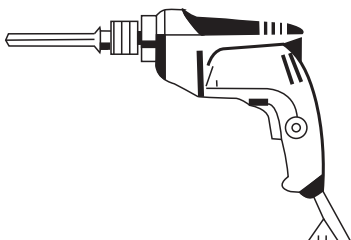
A RENOWNED NAME  
FURNISH A BETTER LIFE

## HARDWARE LIST

PLEASE ALWAYS CHECK EVERY PART BEFORE ASSEMBLY

⑪	14PCS	⑫	8PCS
Flat Washers M6		Screw M4 x 32	
			
⑬	1PCE		
Allen Wrench M5 x 65			
			
⑭	1PCE		
Allen Wrench M4 x 65			
			

This page lists all contents included in the box. Please take the time to identify the hardware as well as the individual components to this product. As you unpack and prepare for assembly, place the contents on a carpet or padded area to protect them from damage.



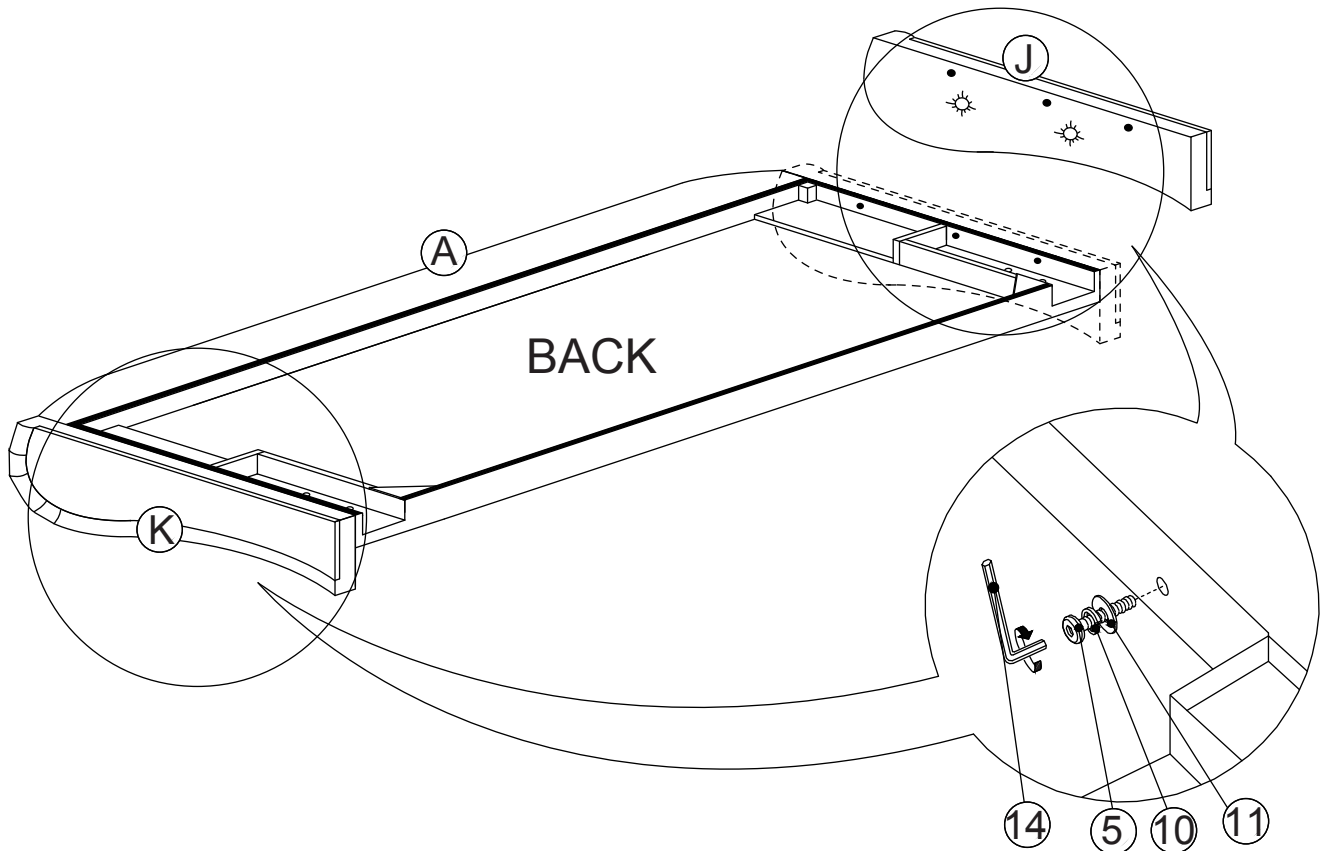
Electric Drill(not included)are necessary for assembly  
Use an electric drill to tighten the wood screw

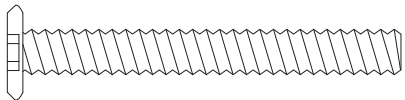

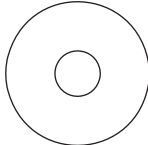



ALTON FURNITURE GROUP

A RENOWNED NAME  
FURNISH A BETTER LIFE

Step 1:  
Assemble the Wing Backs (J) & (K) and the Headboard Panel (A).



⑤	6PCS	⑩	6PCS
Allen Bolts M6 x 50		Spring Washers M6	
			
⑪	6PCS	⑭	1PCE
Flat Washers M6		Allen Wrench M4 x 65	
			



ALTON FURNITURE GROUP

A RENOWNED NAME  
FURNISH A BETTER LIFE

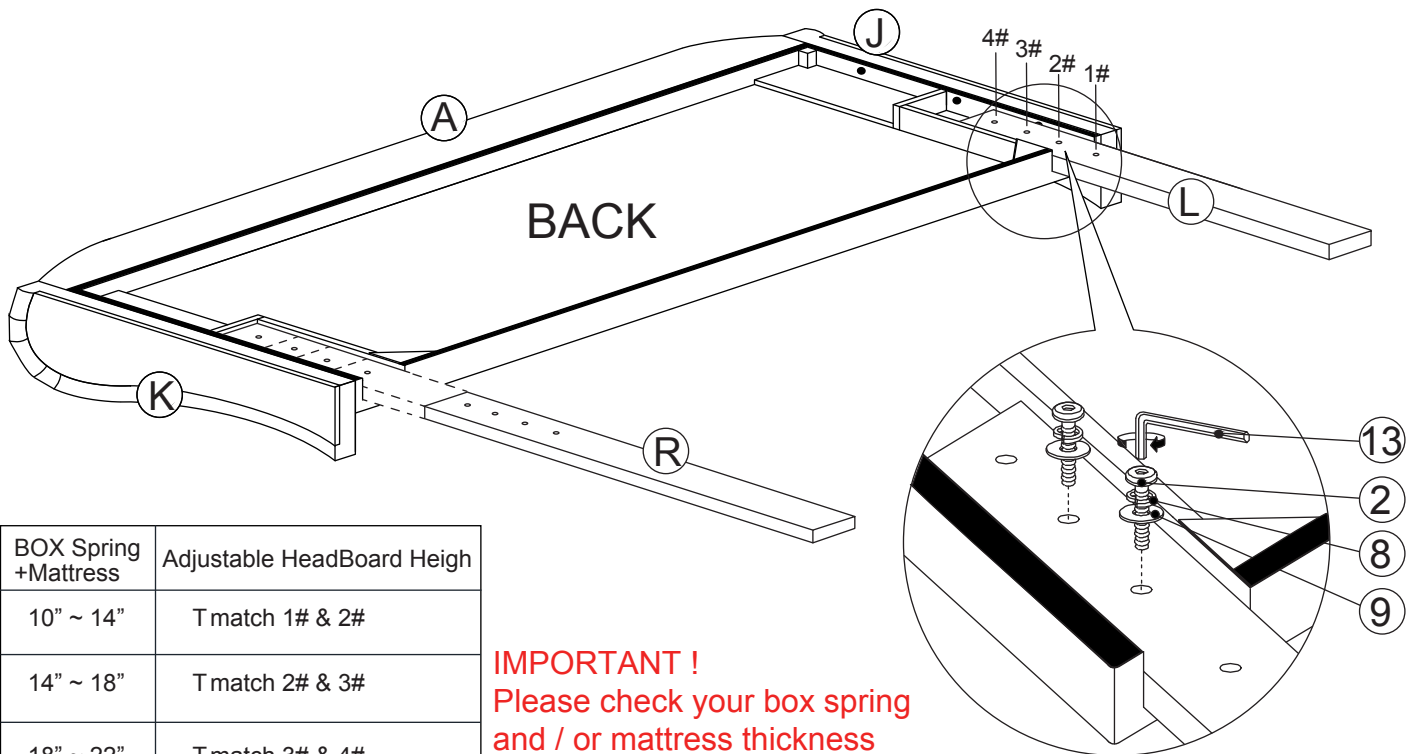
## IMPORTANT !!

**Tips:**

**\*\*Please also check the thickness of your mattress and box spring before your assembly.**

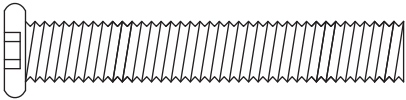

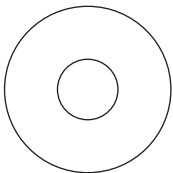

**Step 2:**

Assemble the Headboard Panel (A) and the Legs (R & L).  
(DO NOT FULLY TIGHTEN BOLTS AT THIS STAGE.)



BOX Spring +Mattress	Adjustable HeadBoard Height
10" ~ 14"	T match 1# & 2#
14" ~ 18"	T match 2# & 3#
18" ~ 22"	T match 3# & 4#

**IMPORTANT !**  
Please check your box spring and / or mattress thickness before your assembly.

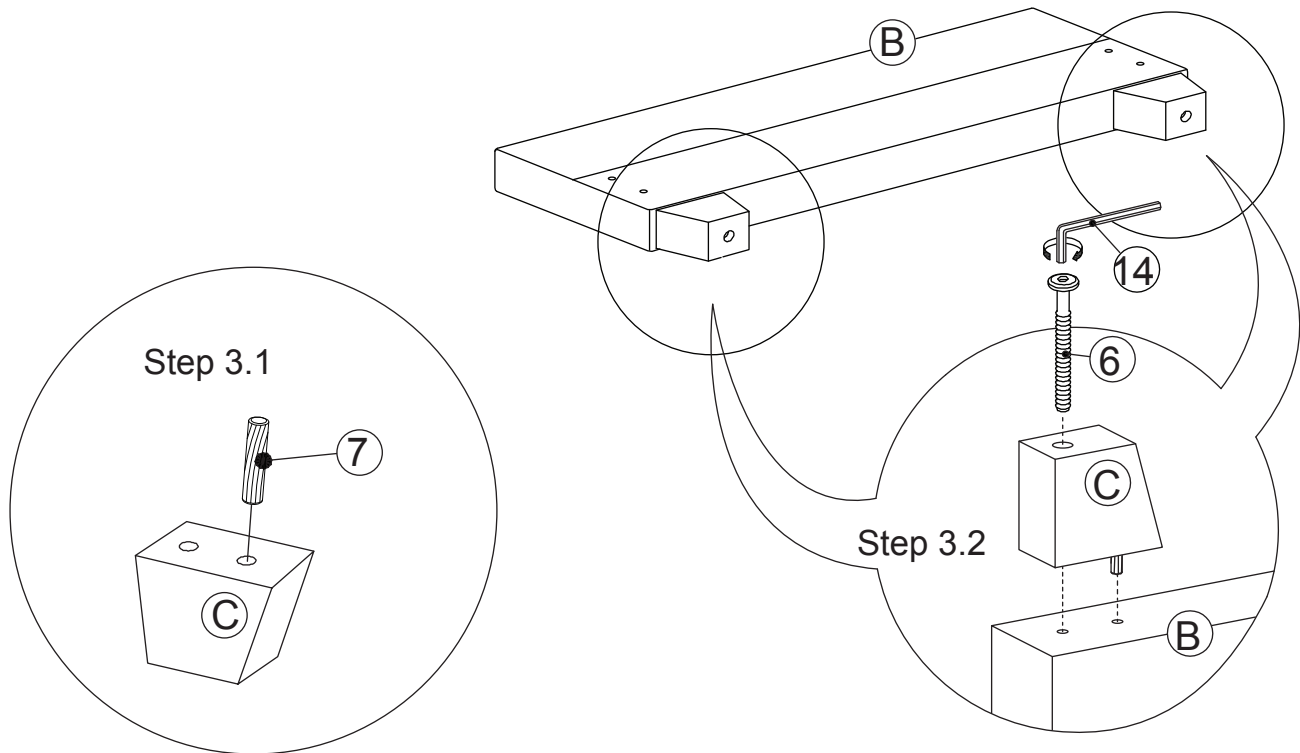
②	4PCS	⑧	4PCS
Allen Bolts M8 x 50		Spring Washers M8	
			
⑨	4PCS	⑬	1PCE
Flat Washers M8		Allen Wrench M5 x 65	
			



ALTON FURNITURE GROUP

A RENOWNED NAME  
FURNISH A BETTER LIFE

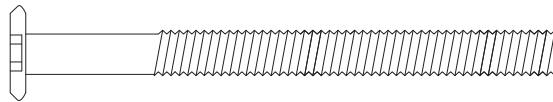
Step 3:  
Assemble the Footboard (B) & Wood Feet (C).



⑥

2PCS

Allen Bolts M6 x 70



⑦

2PCS

⑭

1PCE

Wood Dowel

Allen Wrench M4 x 65

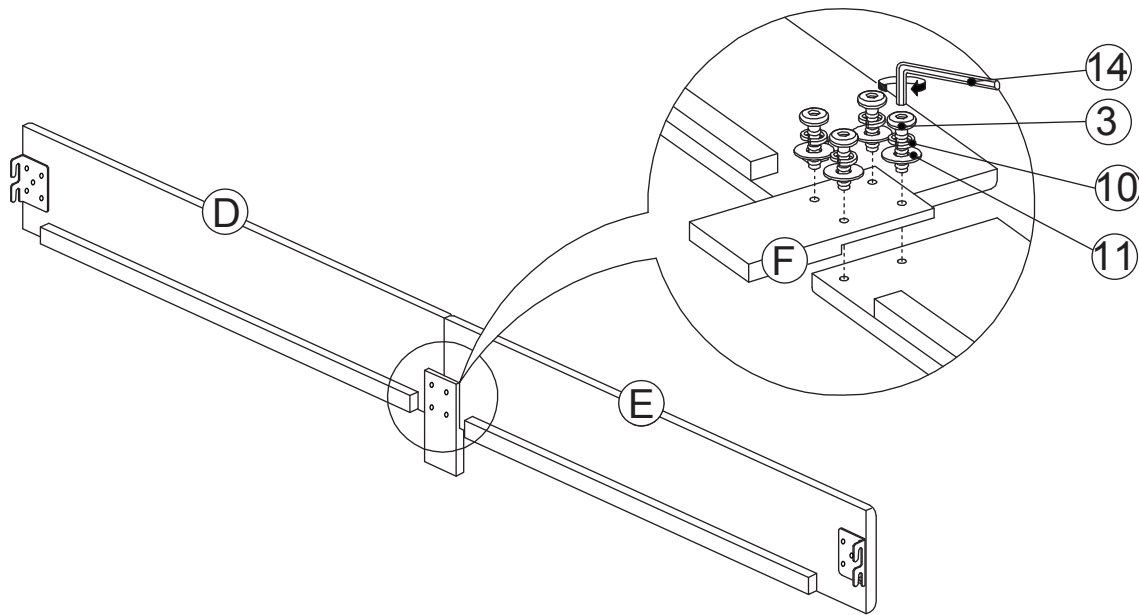


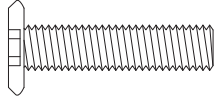

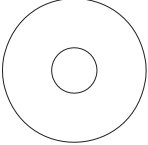



ALTON FURNITURE GROUP

A RENOWNED NAME  
— FURNISH A BETTER LIFE —

Step 4:  
Attach the Side Rail Support Legs (F) to join of the Side Rail (D) & Side Rail (E).



③	8PCS	⑩	8PCS
Allen Bolts M6 x 25		Spring Washers M6	
			
⑪	8PCS	⑭	1PCE
Flat Washers M6		Allen Wrench M4 x 65	
			

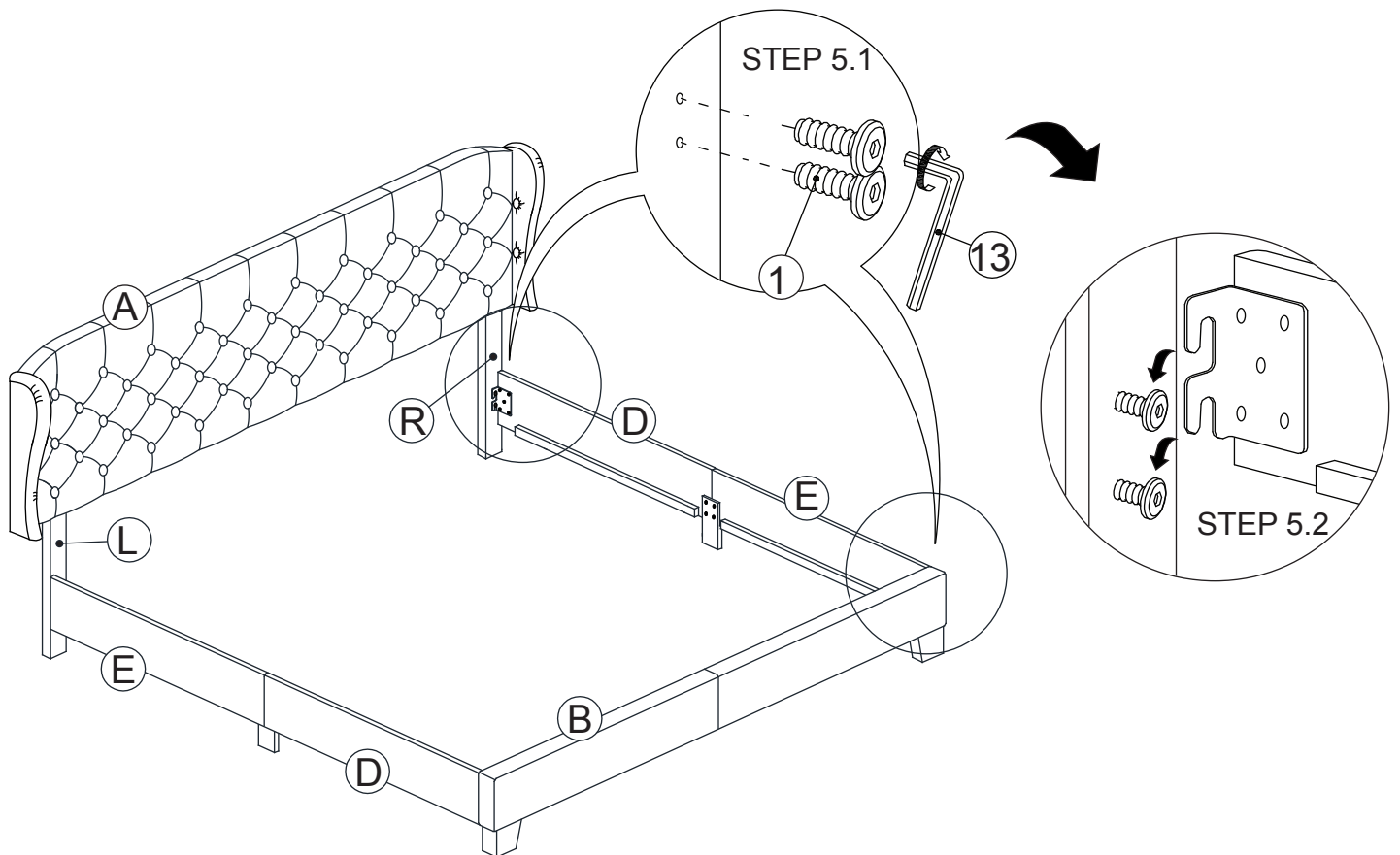


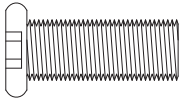

ALTON FURNITURE GROUP

A RENOWNED NAME  
FURNISH A BETTER LIFE

**Step 5:**

Attach the Bolt (1) 70% tight to the Headboard Leg (L) & (R) and Footboard (B) and then attached Side Rail (D) & (E) to Headboard Leg (L) & (R) and Footboard (B) by pushing the bracket down to fix it.



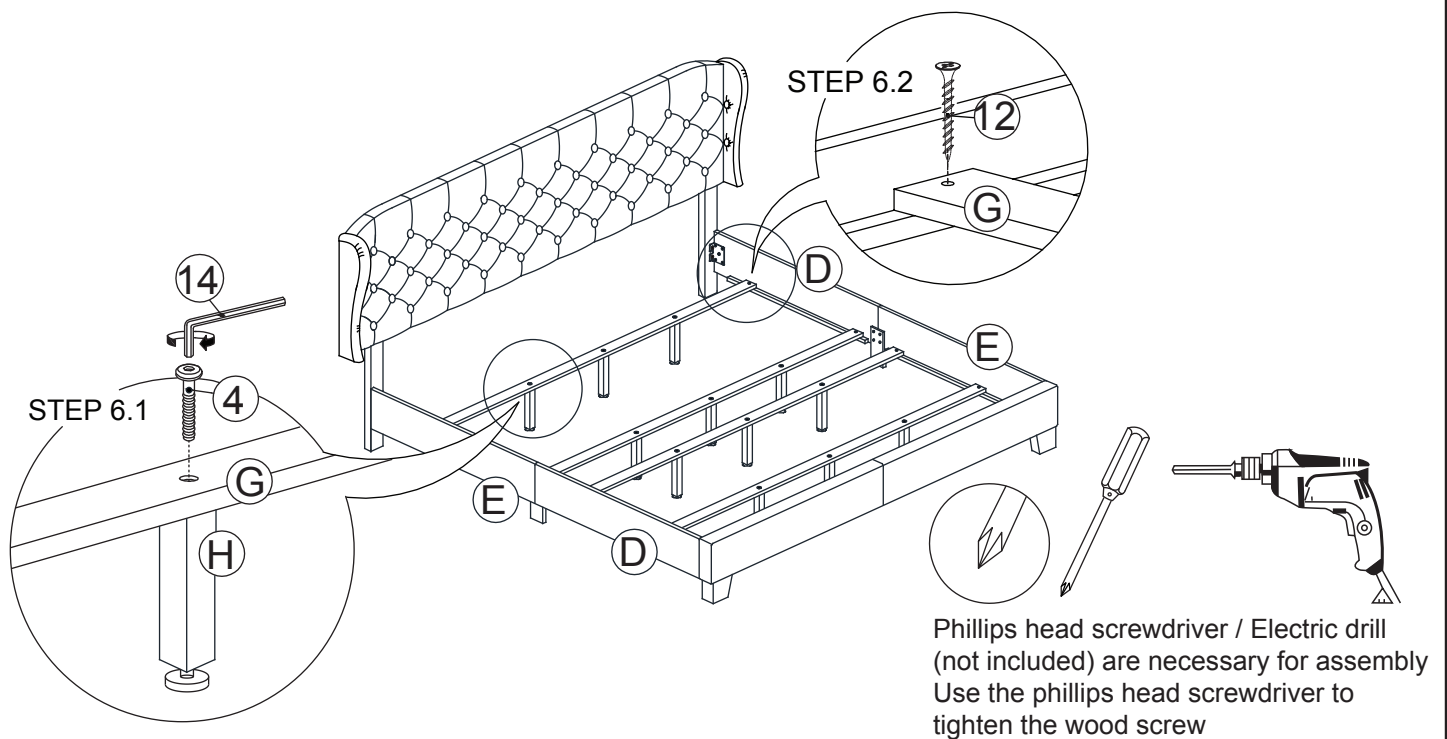
(1)	8PCS	(13)	1PCE
Allen Bolts M8 x 20		Allen Wrench M5 x 65	
			

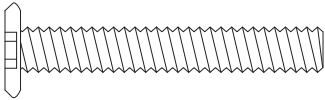
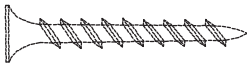



ALTON FURNITURE GROUP

A RENOWNED NAME  
FURNISH A BETTER LIFE

Step 6:  
Attach Support Legs (H) to Slat (G), after that attach Slat (G) to Side Rail (D) & (E).  
Tighten all the bolts once the bed are level.



④	12PCS	⑫	8PCS
Allen Bolts M6 x 40		Screw M4 x 32	
			
⑭	1PCE		
Allen Wrench M4 x 65			
			

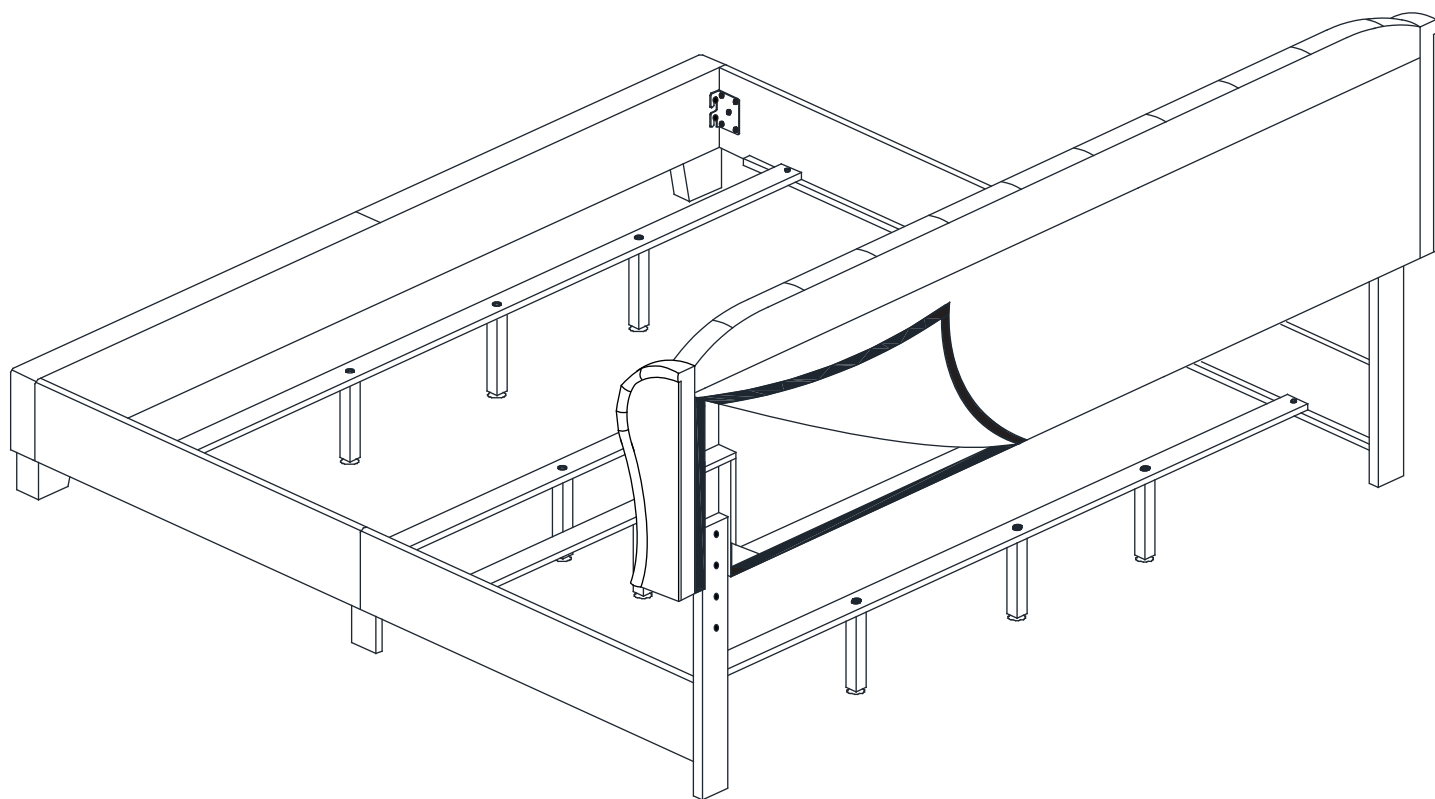


ALTON FURNITURE GROUP

A RENOWNED NAME  
FURNISH A BETTER LIFE

**Step 7:**

Adjust the unit to be evenly aligned, then secure all the bolts completely and tightly.  
Cover the fabric lining behind the headboard.





ALTON FURNITURE GROUP

A RENOWNED NAME  
FURNISH A BETTER LIFE

