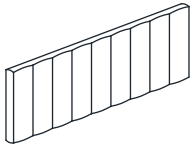


ASSEMBLY INSTRUCTION

SH281DGR & SH281BGE & SH281GRY

1 Headboard



x1

2 Headboard Leg (L)



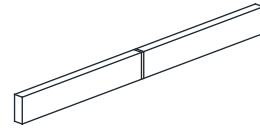
x1

3 Headboard Leg (R)



x1

4 Footboard



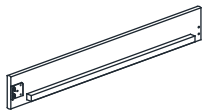
x1

5 Footboard Leg



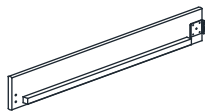
x2

6 Side Rail (L)



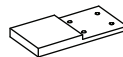
x2

7 Side Rail (R)



x2

8 Side Rail Support Leg



x2

9 Slat



2 SETS

10 Center Support



x2

11 Support Leg
with adjustable feet



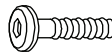
x4

A Bolts
M8 x 20mm



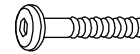
x8

B Bolts
M6 x 25mm



x8

C Bolts
M6 x 50mm



x10

D Bolts
M6 x 100mm



x2

E Lock Washer
M6 x 13mm



x14

F Flat Washer
M6 x 19mm



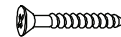
x14

G Wood Dowel



x2

H Screw
M4 x 32mm



x8

I Allen Key
M4 x 100mm

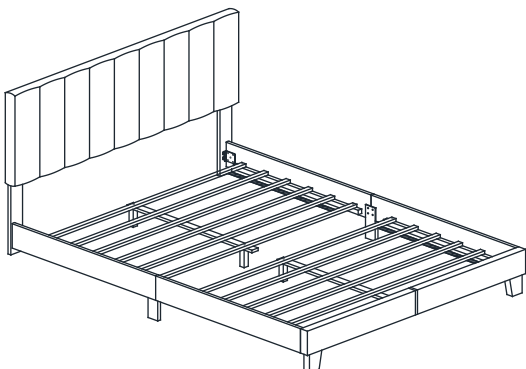


x1

J Allen Key
M5 x 65mm



x1

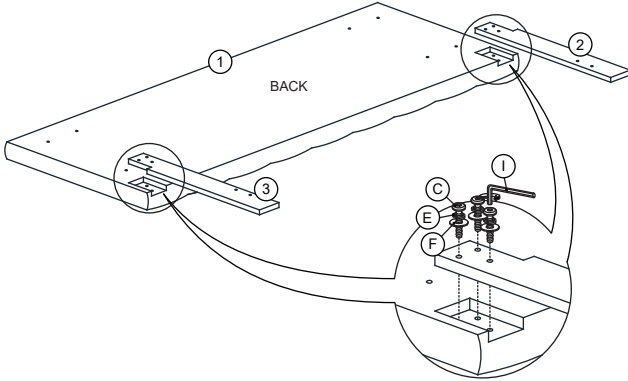


This page lists all the contents included in the box. Please take the time to identify the hardware as well as the individual components to this product. As you unpack and prepare for assembly, place the contents on a carpeted or padded area to protect them from damage.

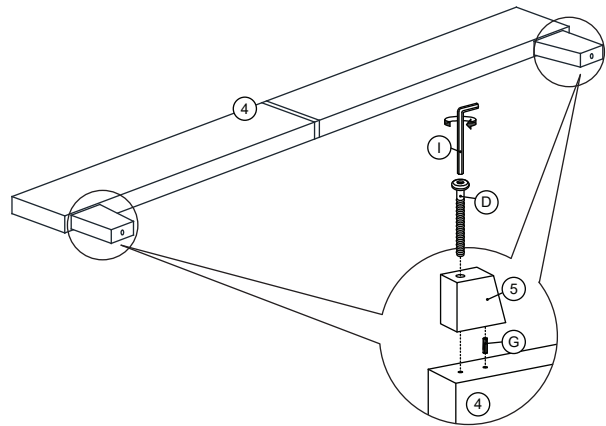
ASSEMBLY INSTRUCTION

SH281DGR & SH281BGE & SH281GRY

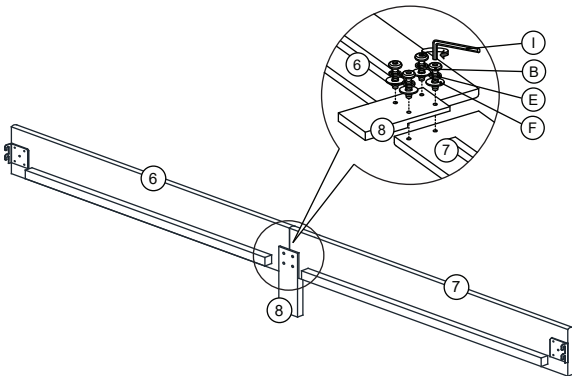
- 1** Begin assembly by attaching each Headboard Leg (2) & (3) to the bottom of the Headboard (1) by aligning the hole and securing with 3 Allen Bolts (C), 3 Lock Washer (E), 3 Flat Washer (F) per leg using Allen Key (I).
(DO NOT FULLY TIGHTEN BOLTS FOR THIS STEP)



- 2** Attach each Footboard Legs (5) to the bottom of the Footboard (4) by inserting a Dowel (G) & securing with 1 Allen Bolt (D) per leg using Allen Key (I).

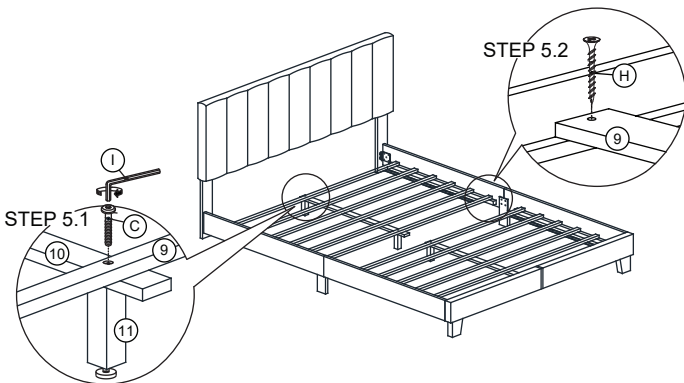


- 3** Attach Side Rail Support Leg (8) to the join of the Side Rail (6) and Side Rail (7) by securing with 4 Allen Bolts (B), 4 Lock Washer (E), 4 Flat washer (F) per support using Allen Key (I).

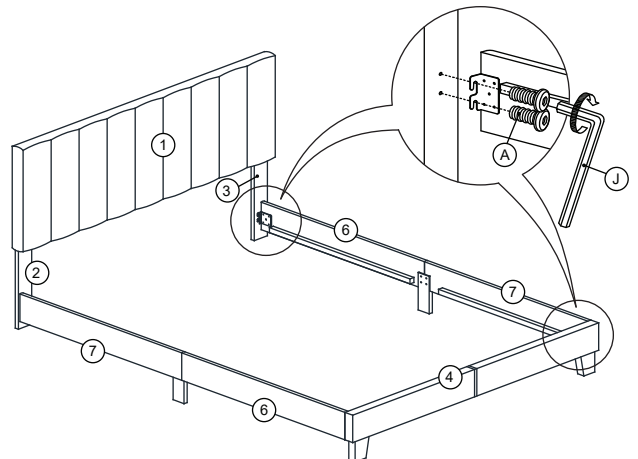


Do not fully tighten screws until assembly is complete and the bed is level.

- 5** Attach Support Legs (11) to Slat (9) and Center Support (10) by securing with 1 Allen Bolt (C) per support leg. Attach Slat (9) to Side Rail by securing with 1 Screw (H) each side. Tighten all screws using philips head screw driver (NOT INCLUDED). Tighten all bolts using Allen Key (I).



- 4** Attach Side Rail to the Headboard Leg (2) & (3) and Footboard (4). Aligning holes, and securing with 2 Allen Bolts (A) each and using Allen Key (J).
(DO NOT FULLY TIGHTEN BOLTS FOR THIS STEP)
*Attach bolts to Headboard Leg & Footboard first, follow by slot in the Side Rail.



Cleaning & Care

Treat surface with care. Surface is resistant to scratches but is not scratch resistant. Clean surfaces with a dry or damp soft cloth. Do not use abrasive cleaners. Hardware may loosen over time. Periodically check that all connections are tight.