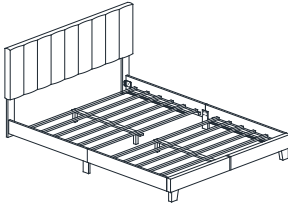
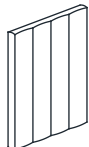
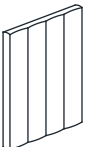
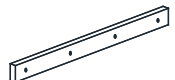
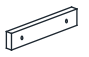
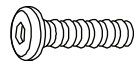



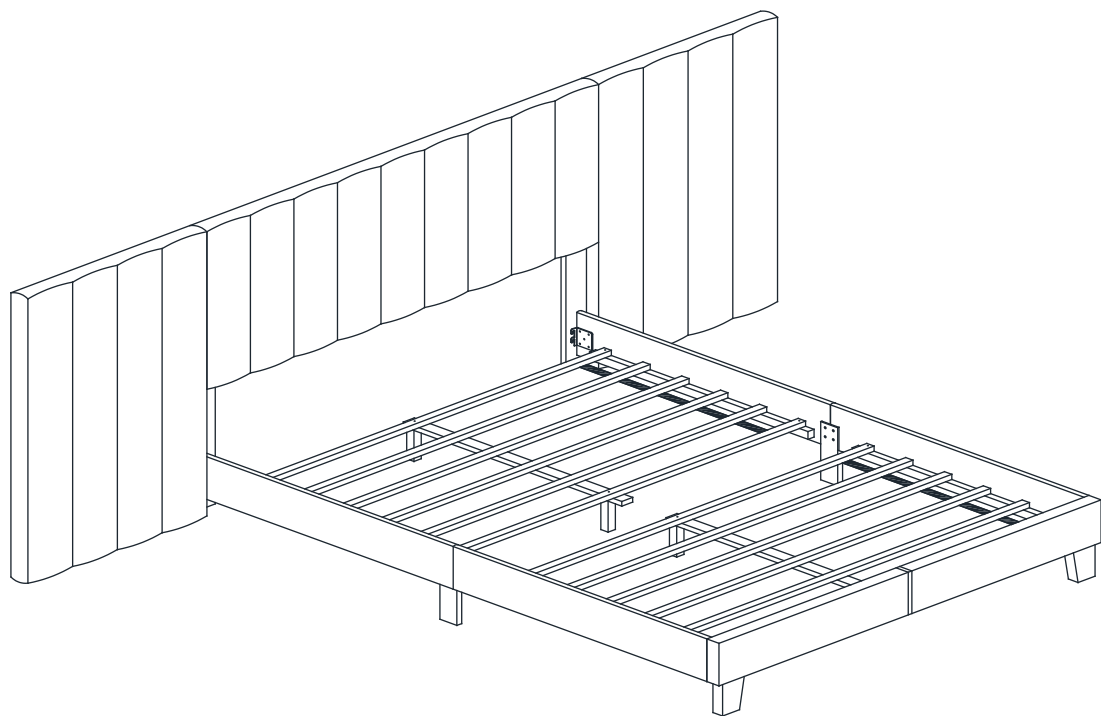


# ASSEMBLY INSTRUCTION

## SH281DGR-PN & SH281BGE-PN & SH281GRY-PN

<b>1</b> Bed  x1	<b>2</b> Wing (L)  x1	<b>3</b> Wing (R)  x1	<b>4</b> Support Wood  x4	<b>5</b> Support Wood (LVL)  x2
<b>A</b> Bolts M8 x 35mm  x20	<b>B</b> Lock Washer M8 x 19mm  x20	<b>C</b> Flat Washer M8 x 22mm  x20	<b>D</b> Allen Key M5 x 65mm  x1	

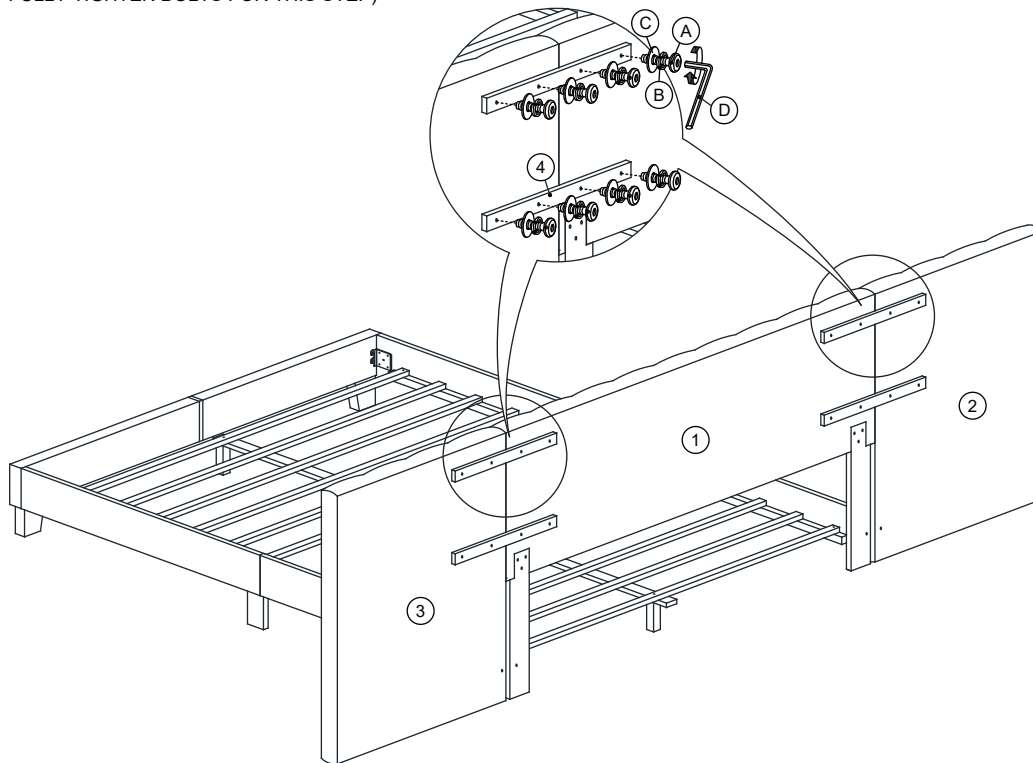


This page lists all the contents included in the box. Please take the time to identify the hardware as well as the individual components to this product. As you unpack and prepare for assembly, place the contents on a carpeted or padded area to protect them from damage.

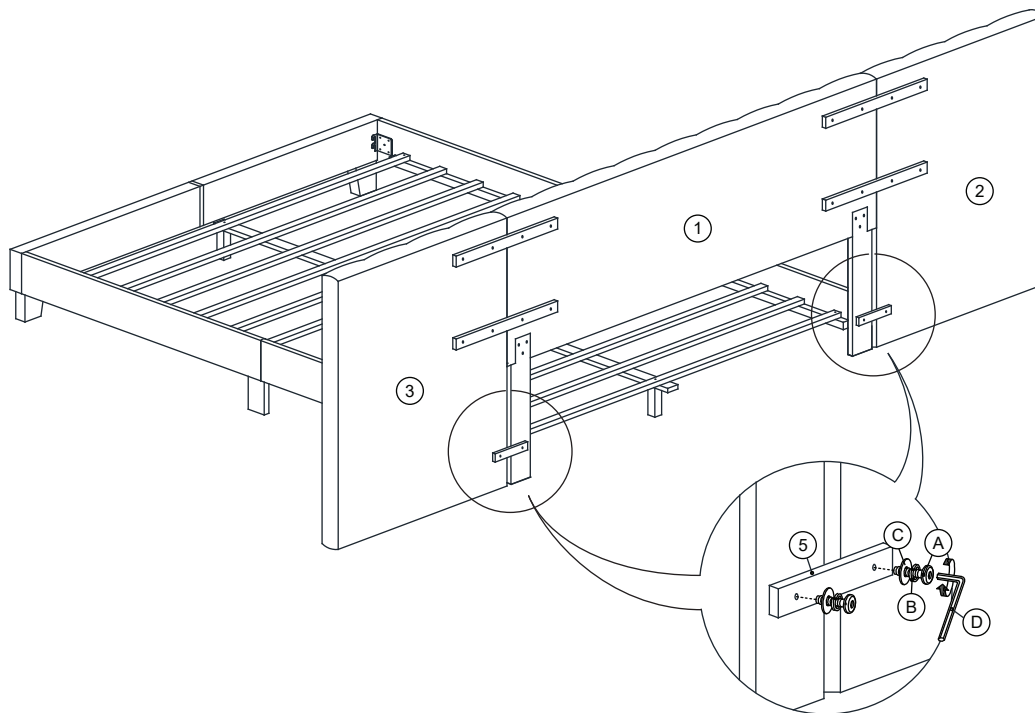
# ASSEMBLY INSTRUCTION

## SH281DGR-PN & SH281BGE-PN & SH281GRY-PN

- 1** Being assembly by attaching each wing (2) & (3) for both side of the bed (1) by support wood (4) and securing with 4 allen bolts (A), 4 lock washer (B), 4 Flat washer (C) per wing using Allen key (D)  
(DO NOT FULLY TIGHTEN BOLTS FOR THIS STEP)



- 2** Attach each 2 support wood (LVL)(5) screw between headboard leg and wing, and securing with 2 allen bolts (A), 2 lock washer (B), 2 Flat washer (C) using Allen key (D)  
(DO NOT FULLY TIGHTEN BOLTS FOR THIS STEP)



### Cleaning & Care

Treat surface with care. Surface is resistant to scratches but is not scratch resistant. Clean surfaces with a dry or damp soft cloth. Do not use abrasive cleaners. Hardware may loosen over time. Periodically check that all connections are tight.