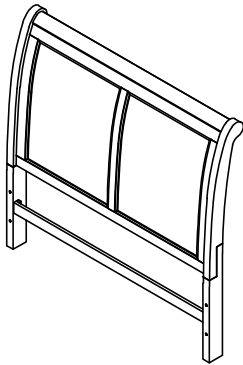


ASSEMBLY INSTRUCTION

ITEM NO: SH2859-1 QUEEN SLEIGH HEADBOARD
SH2859K-1 KING SLEIGH HEADBOARD



Thank you for purchasing this product. Please take time to read and follow instructions below. Check that you have all parts and hardware before assembly. Parts apparently missing are often found in packing materials. If you do not have all parts listed, have your dealer contact us and they will be sent to you immediately.

▲ It is recommended to install protective pads under all legs and supports to avoid damage or scratches when placing furniture on a wood floor or other hard surface, and to limit indentation and prevent discoloration if placing on carpet.

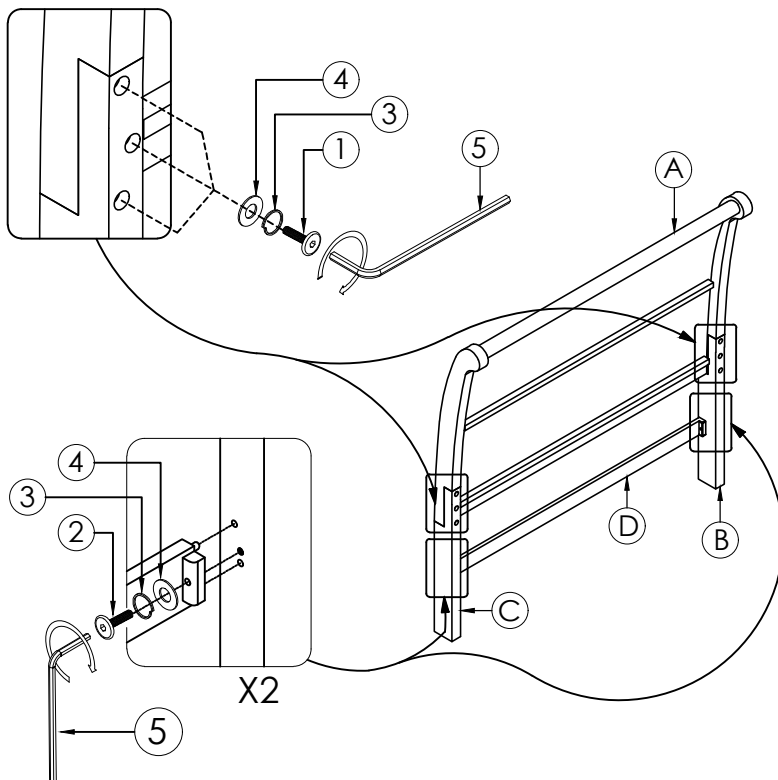
▲ Hardware may loosen over time. Periodically check to make sure all connections are tight. Re-tighten if necessary.

PARTS LIST			
NO	SKETCH	DESCRIPTION	Q'TY
A		HEADBOARD PANEL	1 pc
B		HEADBOARD LEFT LEG	1 pc
C		HEADBOARD RIGHT LEG	1 pc
D		HEADBOARD CROSS BAR	1 pc

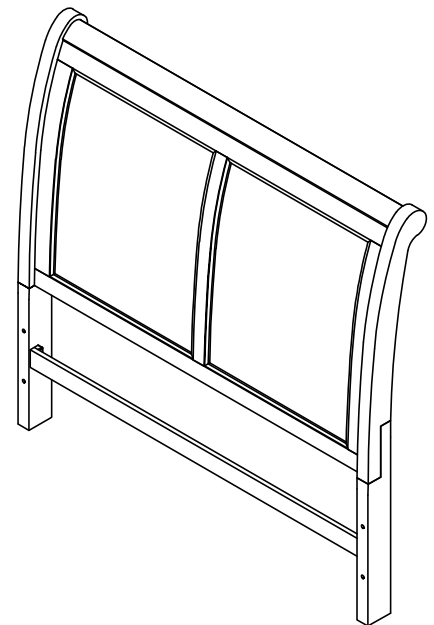
HARDWARE LIST				
NO	SKETCH	DESCRIPTION	SIZE	Q'TY
1		BOLT	5/16"-18 x 2 1/4"	6 pcs
2		BOLT	5/16"-18 x 1 1/2"	2 pcs
3		SPRING WASHER	5/16" x 1/2" x 11/32" x 1/12"	8 pcs
4		FLAT WASHER	5/16" x 3/4" x 11/32" x 5/64"	8 pcs
5		ALLEN KEY	5/32" x 2 1/4"	1pc

**ABOVE HARDWARE ARE PACKED IN #SH2859-1/SH2859K-1 FOR ASSEMBLY

STEP 1 X2



Completed



MADE IN VIETNAM

Page 1 of 1

DO NOT TIGHTEN BOLTS COMPLETELY ASSEMBLED.