

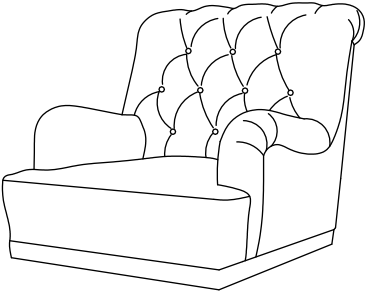
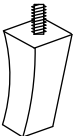
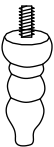

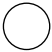

Assembly instructions

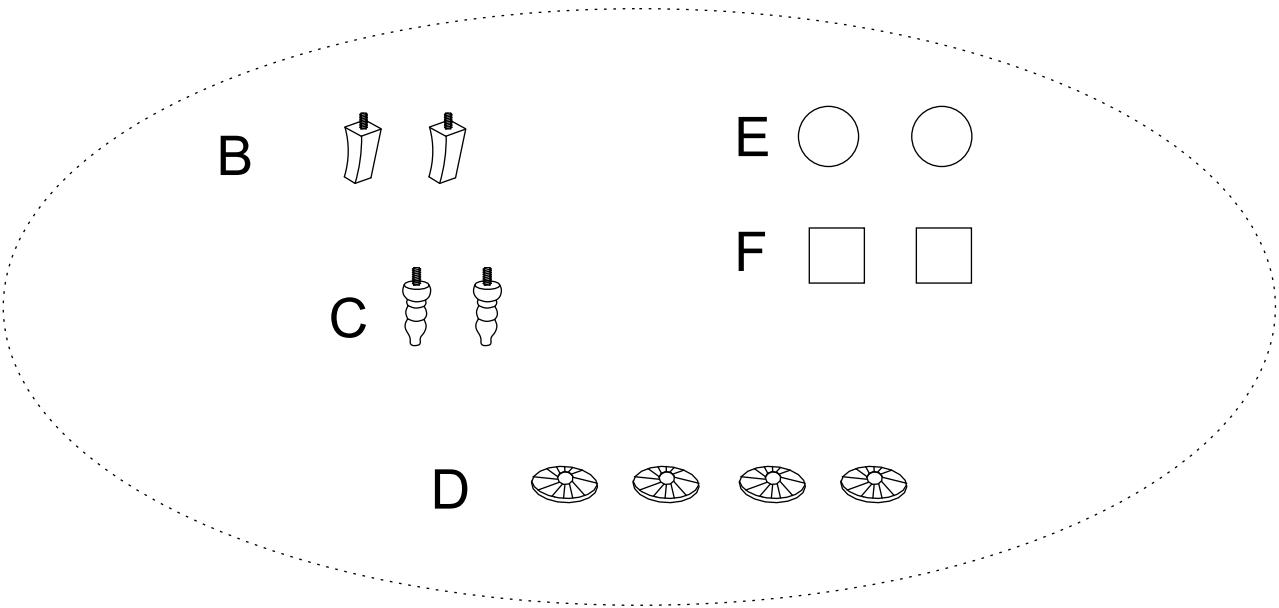
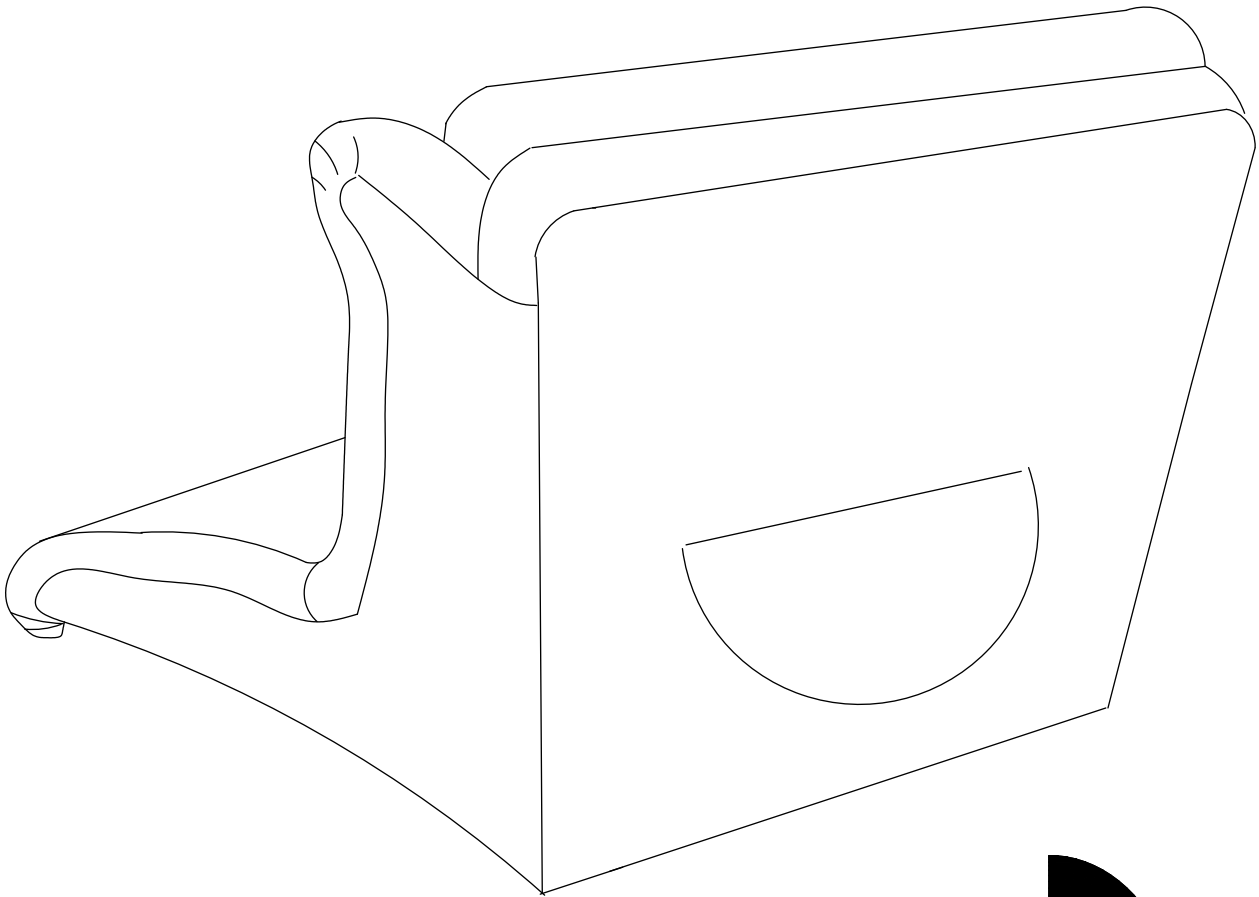
ITEM NO.: 1270-1
ACCENT CHAIR

 Legs are stored under the bottom, please take out for assembly.

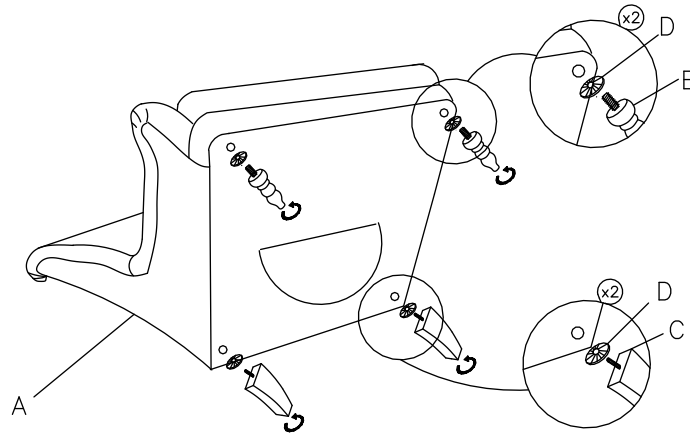
Note: Do not use power tools for assembly. Power tools increase the risk of over tightening which lead to splitting or cracking the wood.

Component list

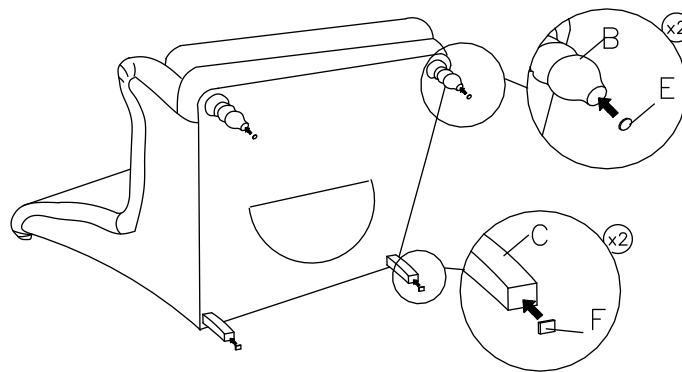
No	Drawing	Qty	Description
A		1	SEAT + BACK REST
B		2	REAR WOODEN LEGS
C		2	FRONT WOODEN LEGS
D		4	PLASTIC WASHER (Ø1.89")
E		2	Felt pad (Ø 25mm)
F		2	Felt pad (35x35mm)



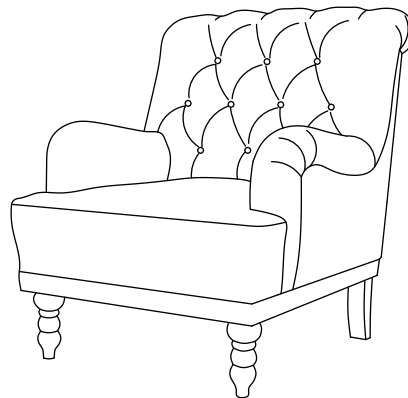
Step1:



Step2:



Step3:



Care Instruction for PU Match PVC Furniture:

In order to maintain the original appearance of your PU Match PVC Furniture, please follow below simple care procedures:

- Avoid exposing furniture directly to sunlight or heating and air conditioning outlets. Sunlight and or exposure to heating and air conditioning outlets will fade/damage PU Match PVC.
- Vacuum or wipe with a soft cloth to remove dust.
- Hardware may loosen over time. Periodically check to make sure all connections are tight. Re-tighten if necessary.



For items use on wooden floor, hard surfaces or carpets, it is recommended to install protective pads under all legs and supports to avoid/prevent from damages/scratches and discoloration.