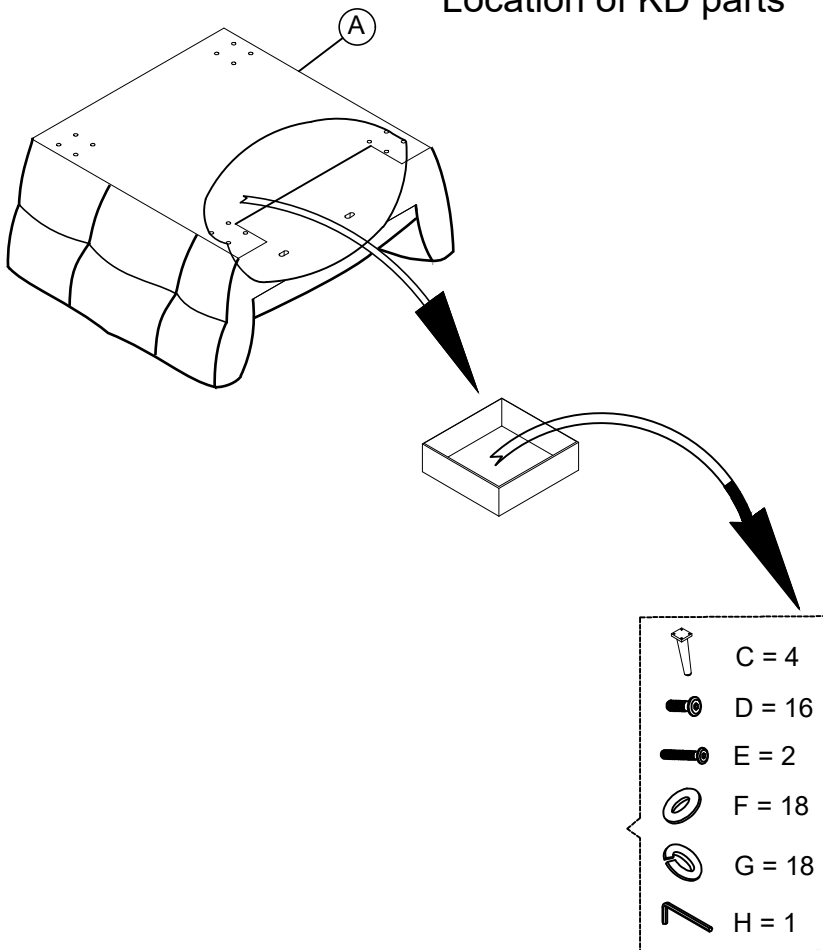




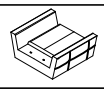
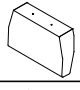

Legs & hardware are stored at the bottom of chair, please take out the legs and hardware for assembly.

Note: Do not use power tools for assembly. Power tools increase the risk of over tightening which lead to splitting or cracking the wood.


Location of KD parts



CHAIR PART LIST

No.	Description	Diagram	Quantity
A	Seat		1
B	Back Rest		1
C	WOODEN LEG (235MMxØ60xØ38)		4

HARDWARE LIST

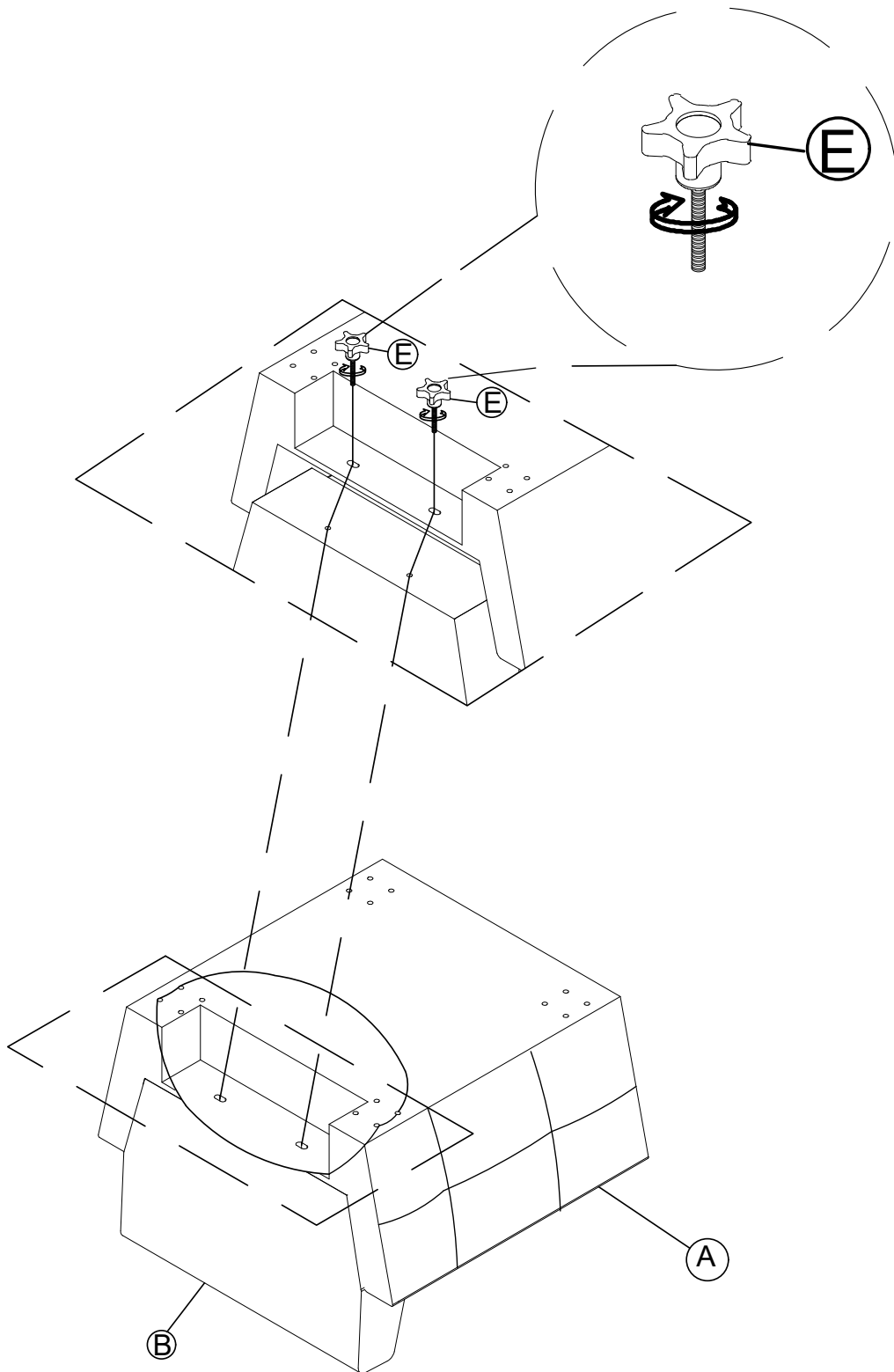
No.	Description	Diagram	Quantity
D	Bolts 5/16"*25mm		16
E	Star knob Ø5/16"*50mm		2
F	FLAT WASHER 5/16 "		18
G	SPRING WASHER 5/16 "		18
H	ALLEN WRENCH M4		1

ASSEMBLY INSTRUCTION

ITEM NO.:1298BU/BR/GY/RN-1

Accent Chair

STEP 1 :

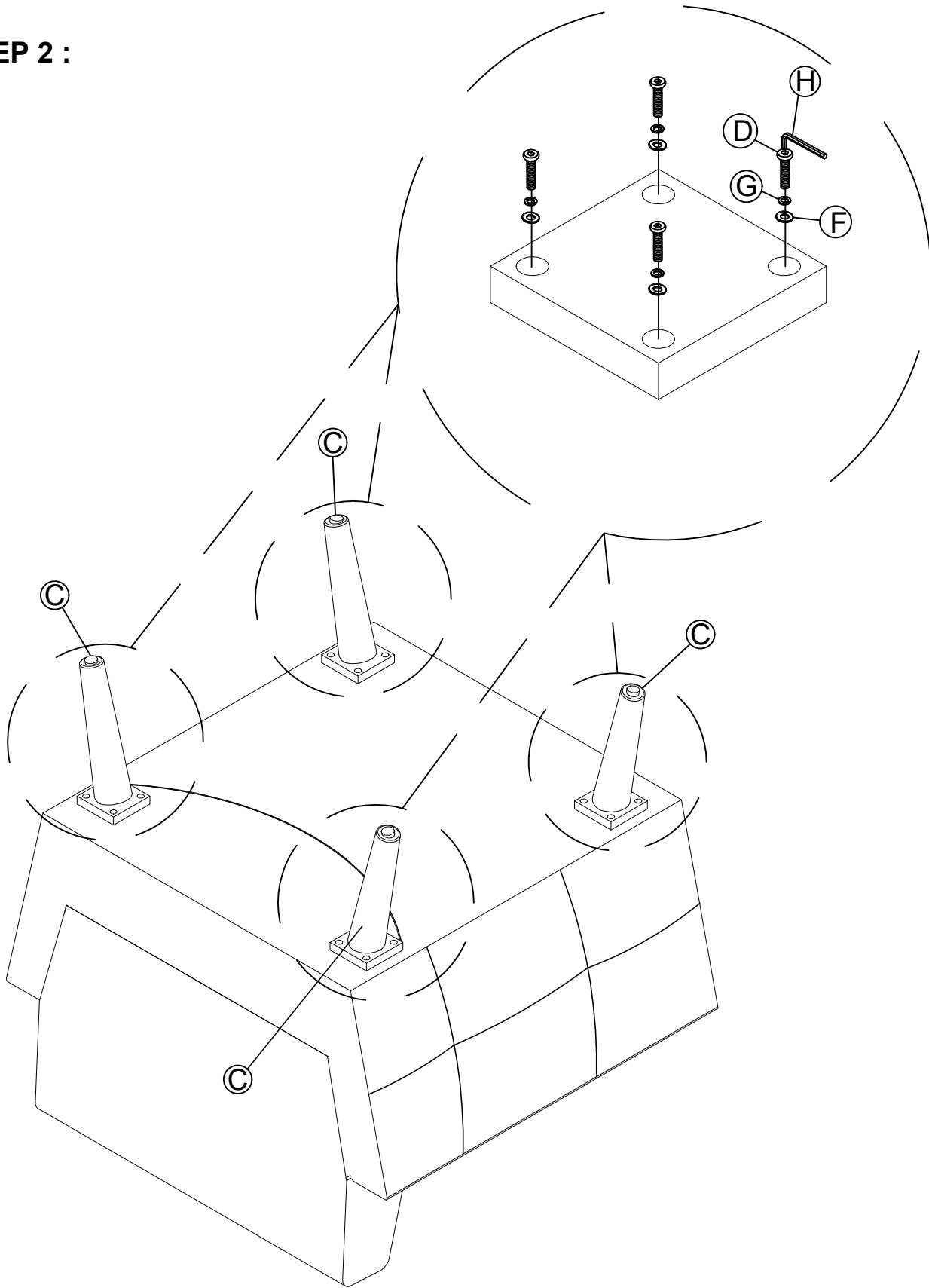


ASSEMBLY INSTRUCTION

ITEM NO.:1298BU/BR/GY/RN-1

Accent Chair

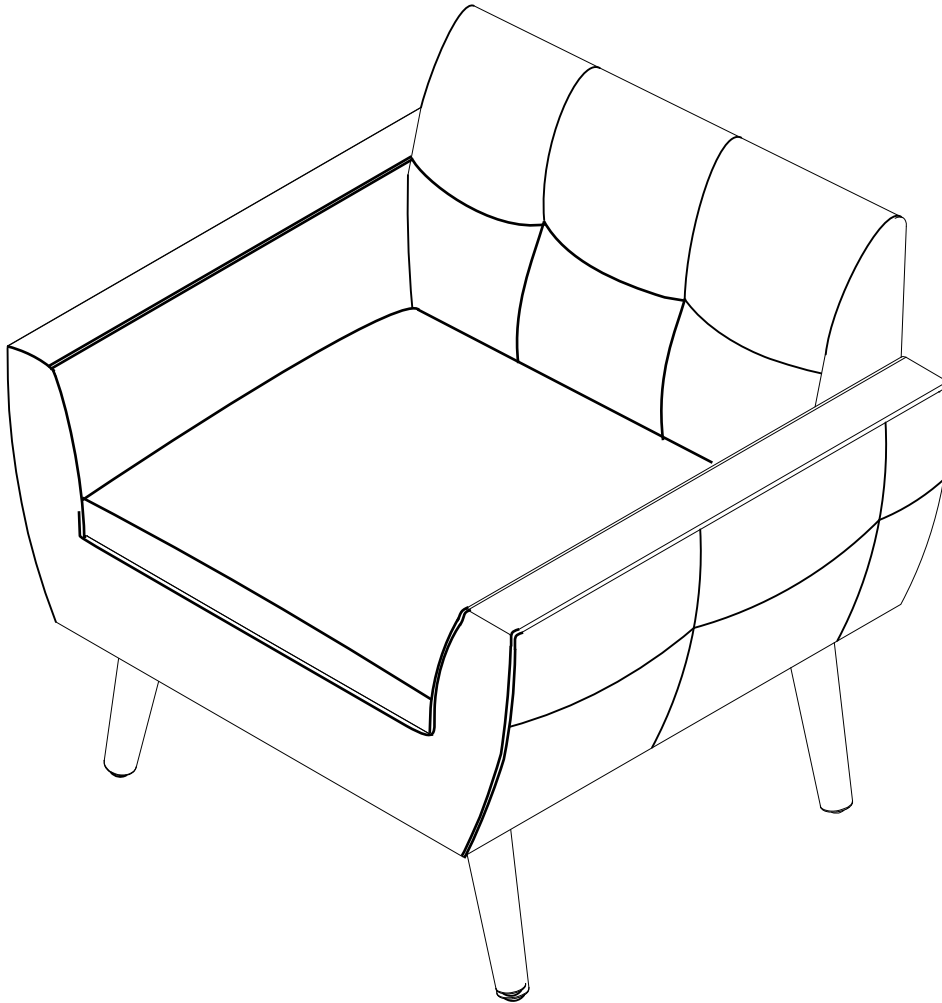
STEP 2 :



ASSEMBLY INSTRUCTION

ITEM NO.:1298BU/BR/GY/RN-1

Accent Chair



Care Instruction for Corduroy Furniture:

In order to maintain the original appearance of your corduroy Furniture, please follow below simple care procedures:

- Avoid exposing furniture directly to sunlight or heating and air conditioning outlets. Sunlight and or exposure to heating and air conditioning outlets will fade/damage corduroy.
- Vacuum or wipe with a soft cloth to remove dust.
Hardware may loosen over time.
Periodically check to make sure all connection are tight, Re-tighten if necessary.



For items use on wooden floor, hard surfaces or carpets, it is recommended to Install protective pads under all legs and supports to avoid/prevent from damages/scratches and discoloration.