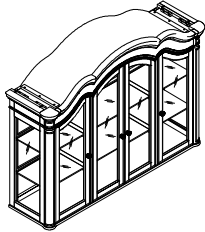




# ASSEMBLY INSTRUCTION

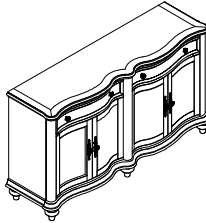
Item#1682-55/1682-50: BUFFET SERVER, HUTCH

(A) Hutch



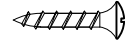
1pc

(B) Buffet/Server




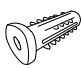



1pc

(C) Screw (Ø8x3/4")

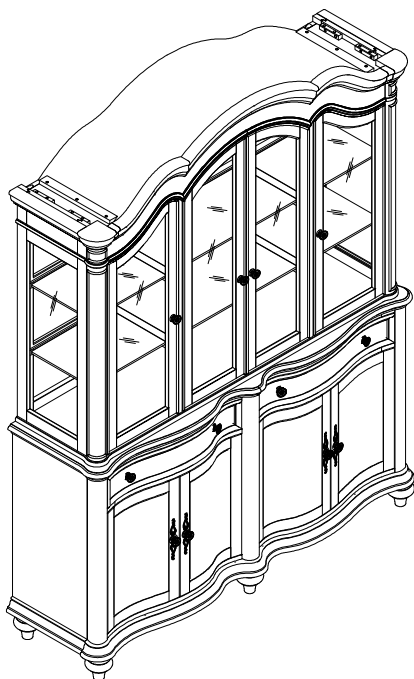


2pcs


(D) Furniture Tipping Restraint

Strap	Anchor	Brackets	Screw (Ø8x1")	Screw (Ø8x5/8")
				
1pc	1pc	2pcs	1pc	1pc

Note: Hardware pack is in 1682-55/1682-50

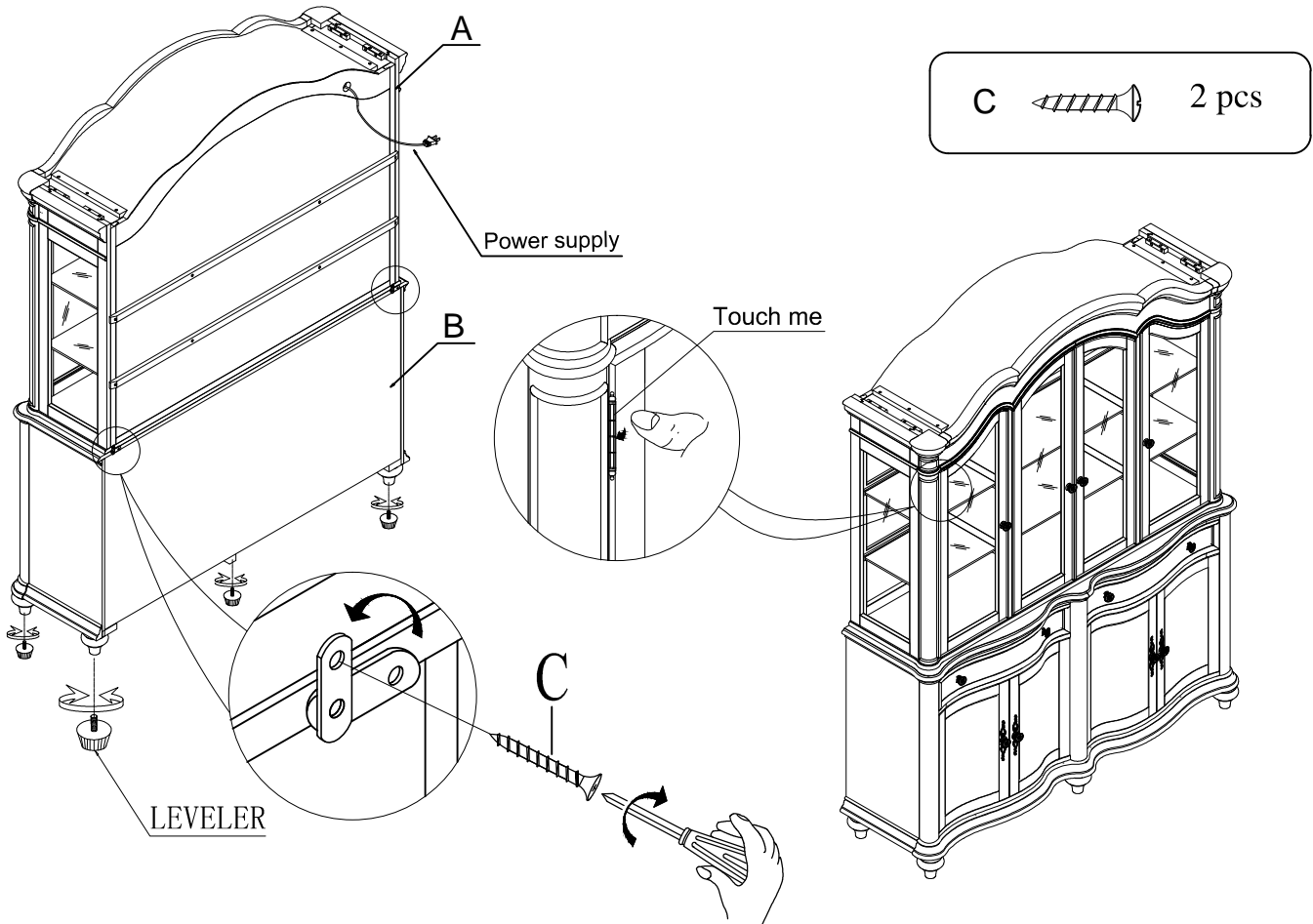


This page lists all the contents included in the box. Please take time to identify the hardware as well as the individual components to this product. As you unpack and prepare for assembly, place the contents on a carpeted or padded area to protect them from damage.

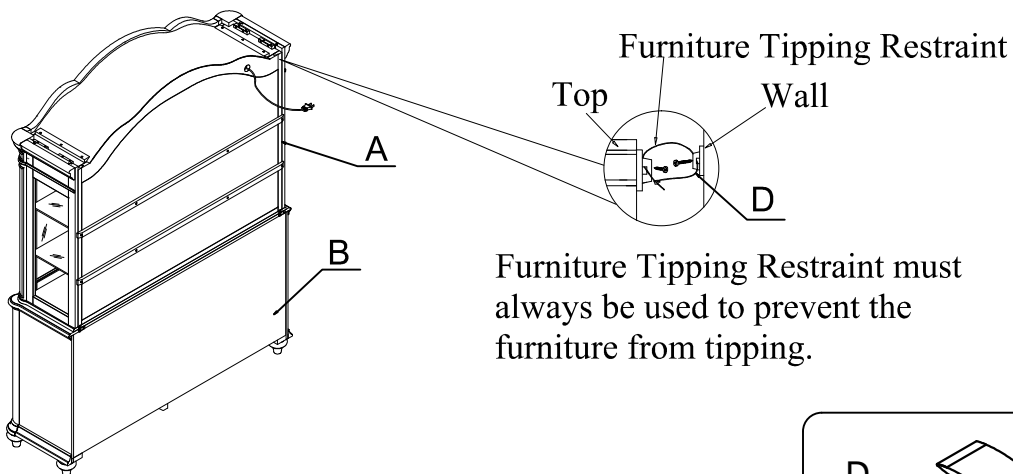
 For items use on wooden floor, hard surfaces or carpets, it is recommended to install protective pads under all legs and supports to avoid/prevent from damages/scratches and discoloration.

Made in Vietnam

**1** Assemble the hutch (A) to the buffet (B) with 2 pcs metal connector, 2 pcs screw (C) provided as shown. You may adjust the floor leveler on the bottom as needed.



**2** Assemble the furniture Tipping Restraint (D) to the Hutch (A).



Furniture Tipping Restraint must always be used to prevent the furniture from tipping.

**Cleaning & Care**

Treat surface with care. Clean surfaces with a dry or damp soft cloth. Do not use abrasive cleaners. Hardware may loosen over time. Periodically check that all connections are tight.

Made in Vietnam