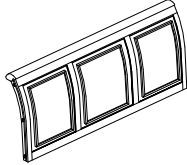



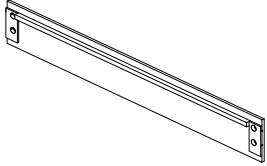
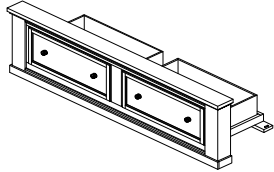

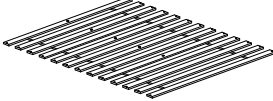
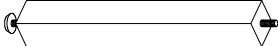
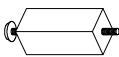
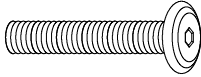





Thank you for purchasing this quality product. Be sure to check all packing material carefully for small parts that may have come loose inside the carton during shipment.

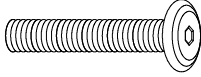




**PART LISTS**

NO	Description	Sketch	Q'ty
A	HEADBOARD		1 PC
B-1	RSF HEADBOARD LEG		1 PC
B-2	LSF HEADBOARD LEG		1 PC
C	HEADBOARD CROSS BAR		1 PC
D	SIDE RAIL		2 PCS
E	STORAGE FOOTBOARD		1 PC
F	FOOTBOARD BUN FOOT		2 PCS
G	SLAT 13 PCS/ROLL		1 SET
H	SLAT SUPPORT LEG		4 PCS
I	DRAWER SUPPORT LEG		2 PCS


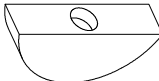




**HARDWARE PACK (PUT IN 1714W-1/BK-1 CARTON)**

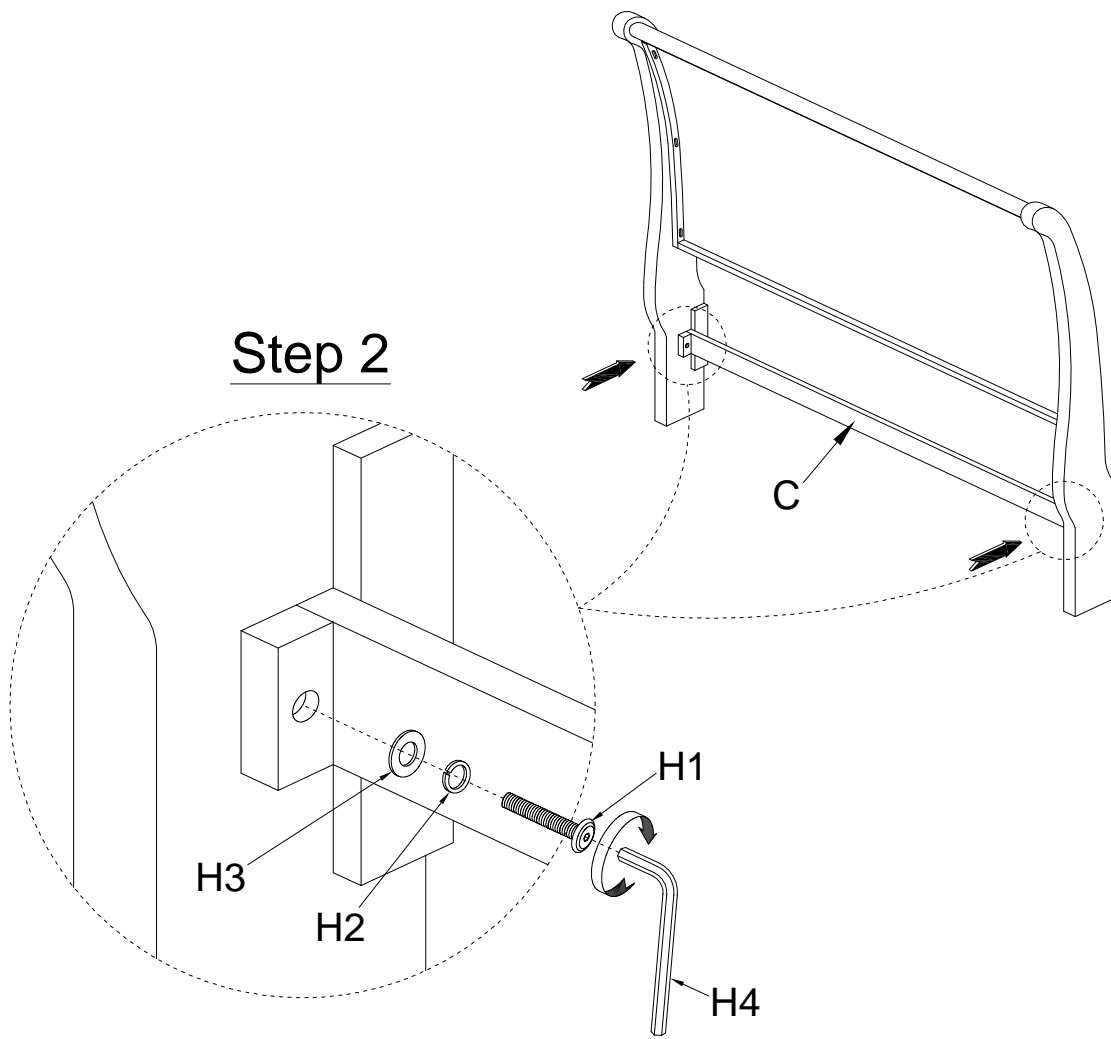
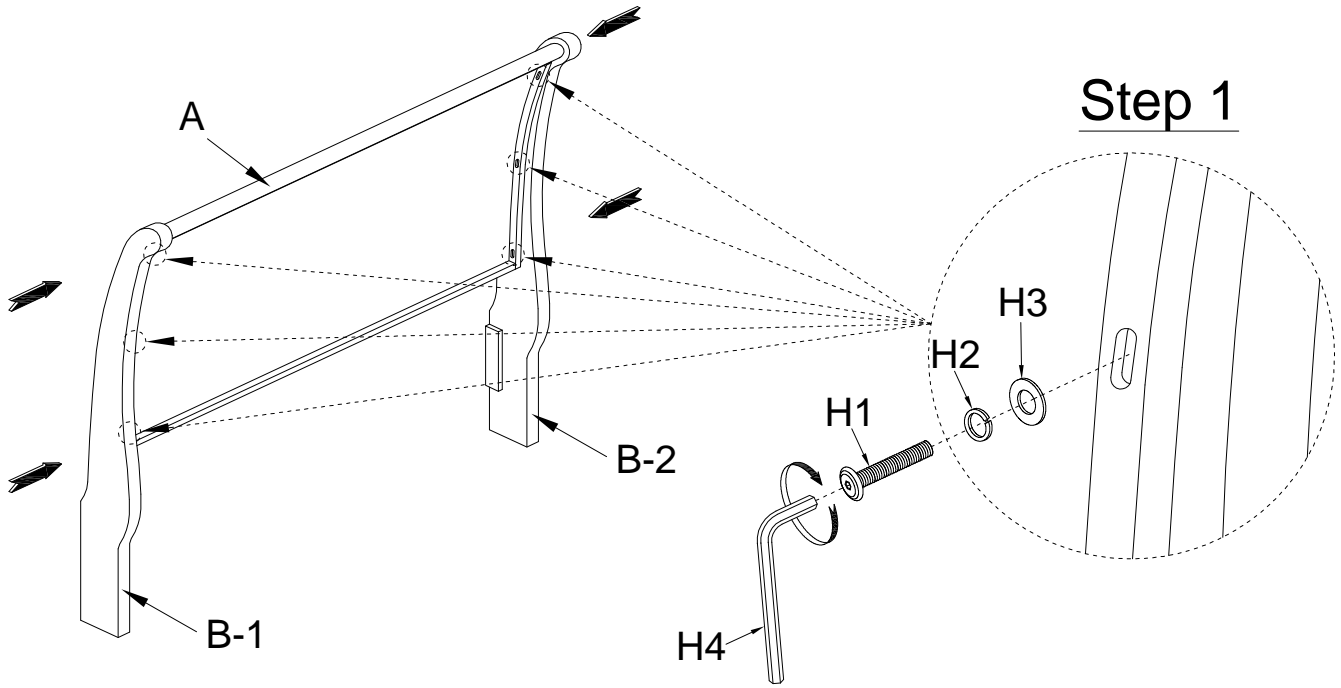
NO	Description	Sketch	Size	Q'ty
H1	BOLT		5/16"-18 x 1-3/8"	8 PCS
H2	SPRING WASHER		5/16"ID x 15/32"OD x 0.062"TK	8 PCS
H3	FLAT WASHER		11/32"ID x 5/8"OD x 0.078"TK	8 PCS
H4	ALLEN KEY		1/6"	1 PC

**HARDWARE PACK (PUT IN 1714W-2/BK-2 CARTON)**

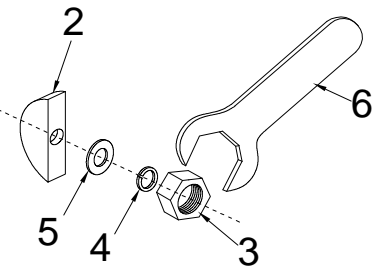
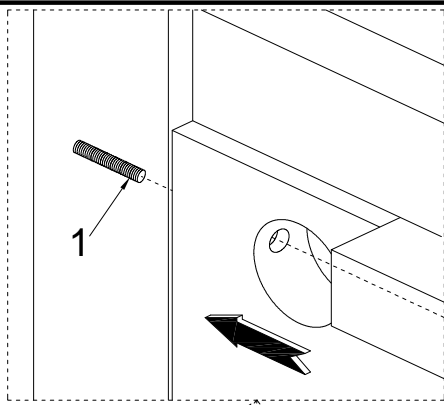
NO	Description	Sketch	Size	Q'ty
F1	BOLT		1/4"-20 x 1-3/8"	2 PCS
F2	SPRING WASHER		1/4"ID x 2/5"OD x 0.062"TK	2 PCS
F3	FLAT WASHER		9/32"ID x 3/4"OD x 0.078"TK	2 PCS
F4	ALLEN KEY		1/6"	1 PC
F5	SCREW		5/32" x 1-3/16"	26 PCS

**HARDWARE PACK (PUT IN 1714W-3/BK-3 CARTON)**

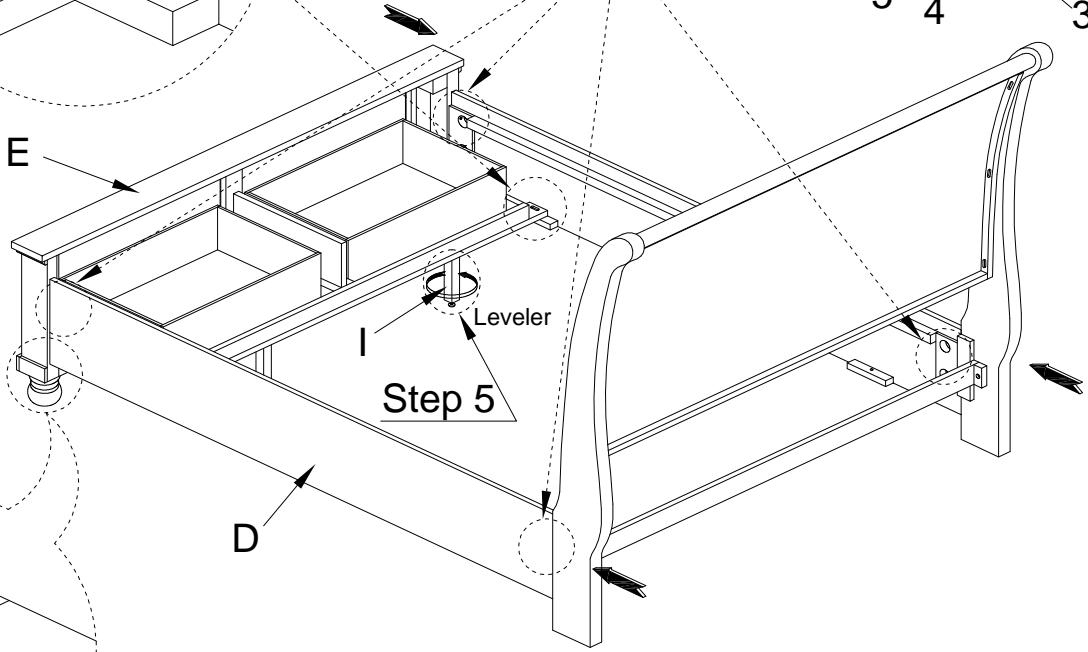
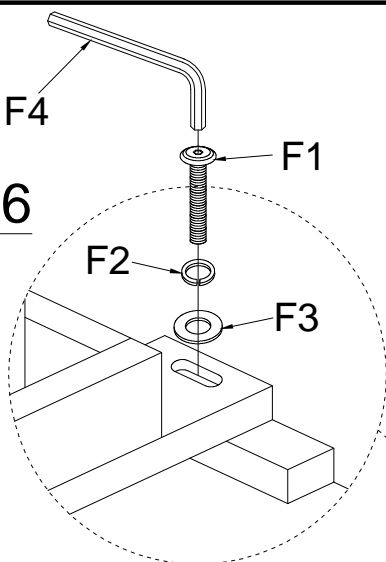
NO	Description	Sketch	Size	Q'ty
1	THREAD ROD		5/16"-18 x 3-1/8"	8 PCS
2	HIDDSIDE WASHER		3/8"ID x 1-1/8" x 9/16" x 3/10"	8 PCS
3	HEX NUT		5/16" x 1/2" x 1/4"	8 PCS
4	SPRING WASHER		5/16"ID x 15/32"OD x 0.062"TK	8 PCS
5	FLAT WASHER		11/32"ID x 5/8"OD x 0.078"TK	8 PCS
6	WRENCH		1/2"	1 PC



**Step 4**

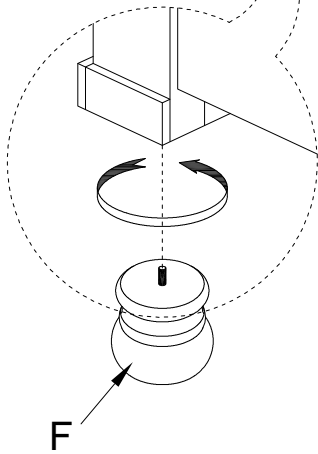


**Step 6**

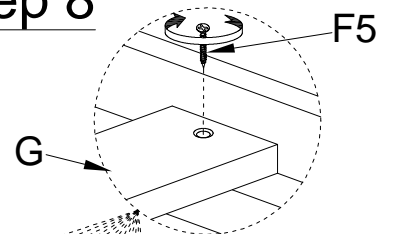


**Step 5**

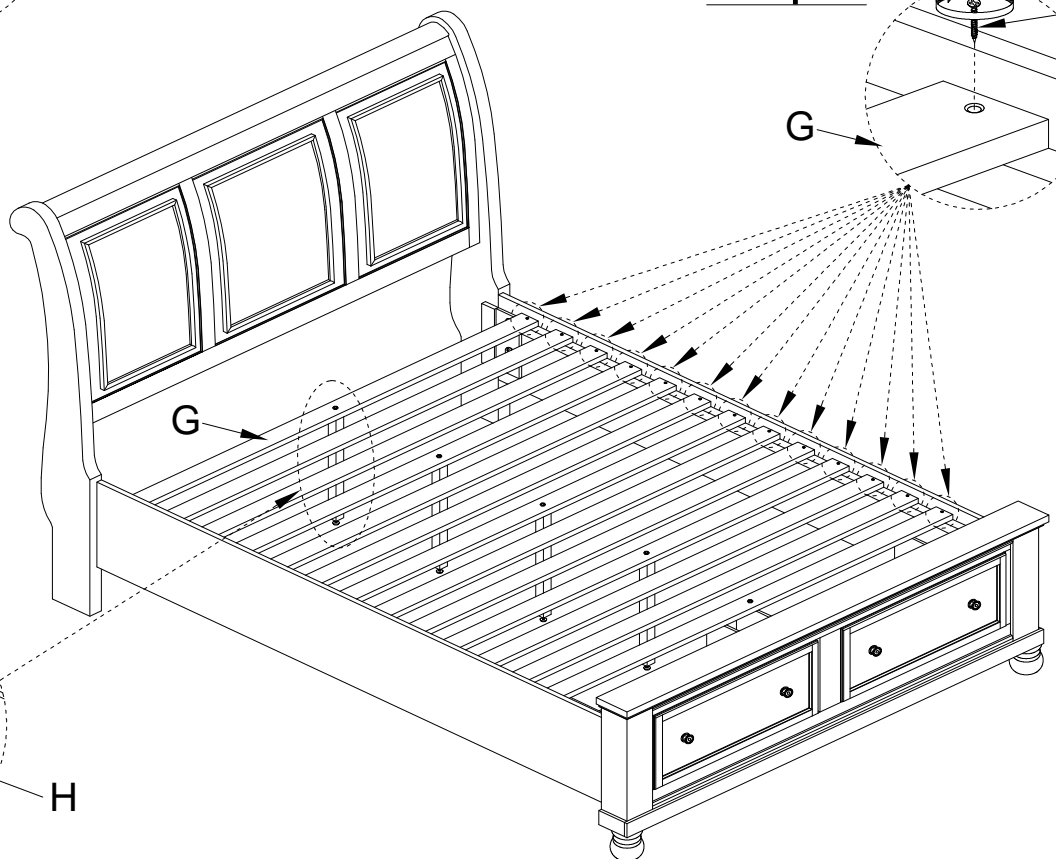
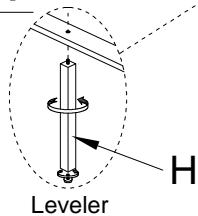
**Step 3**

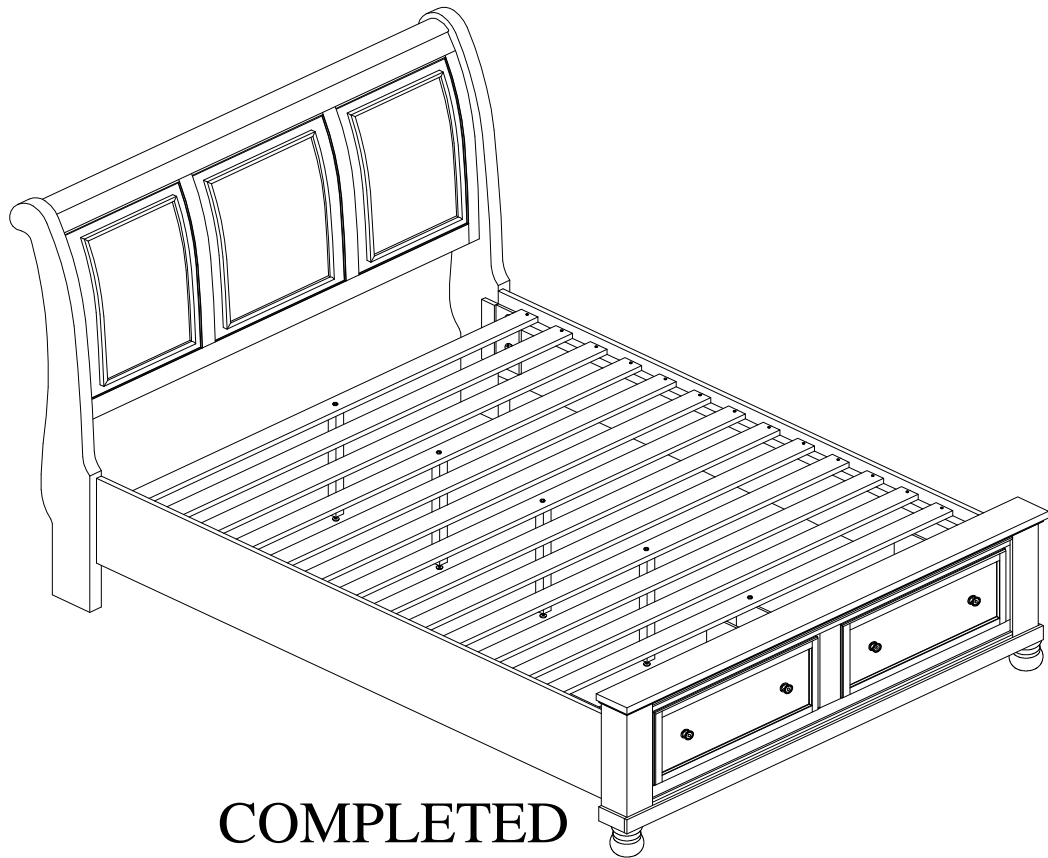


**Step 8**




**Step 7**





 It is recommended to install protective pads under all legs and supports to avoid damage or scratches when placing furniture on a wood floor or other hard surface, and to limit indentation and prevent discoloration if placing on carpet.

 Il est recommandé de placer des coussins protecteurs sous tous les pieds et toutes les bases des meubles pour éviter d'endommager ou d'égratigner les planchers en bois ou autres surfaces dures ,et pour limiter l'empreinte et empêcher la décoloration quand les meubles reposent sur la moquette.