



Assembly Instruction

ITEM#: 1718GY/NC/BR/CH-9 CHEST

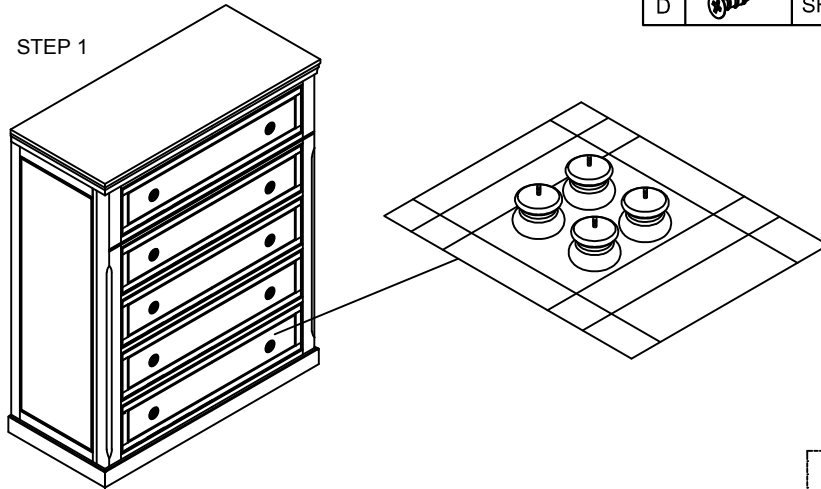
PART LIST

| | | |
|---|----------|------|
| 1 | CHEST | 1PC |
| 2 | BUN FOOT | 4PCS |

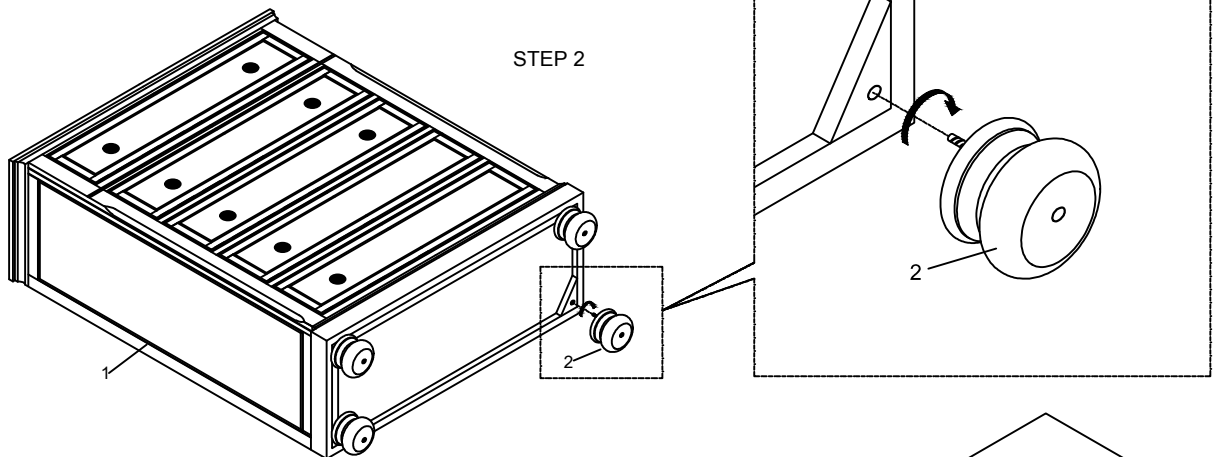
ANTI-TIPPING HARDWARE PACK

| | | | |
|---|--|----------------------|------|
| A | | BRACKET | 2PCS |
| B | | TIE WRAP | 1PC |
| C | | LONG SCREW #8x2"L | 1PC |
| D | | SHORT SCREW #8x5/8"L | 1PC |

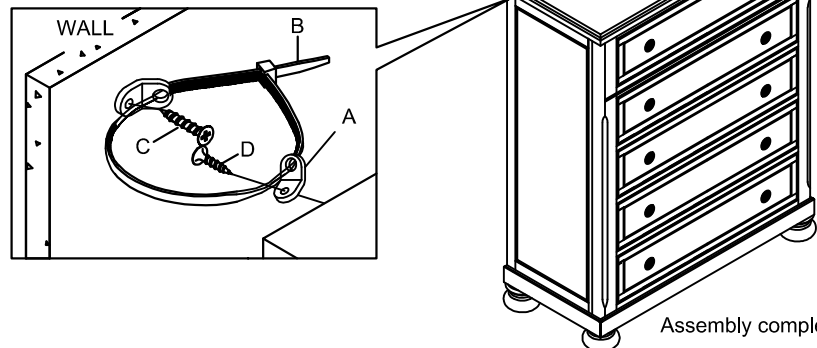
STEP 1



STEP 2



STEP 3



Assembly completed



- For items use on wooden floor hard surfaces or carpets. It is recommended to install protective pads under all legs and supports to avoid/prevent from damages/scratches and discoloration .
- Hardware may loosen over time. Periodically check to make sure all connections are tight. Re-tight if necessary.

MADE IN VIETNAM