



H O M E E L E G A N C E

ASSEMBLY INSTRUCTION

1928-40NG SERVER

Thank you for purchasing this product. Please take time to read and follow instructions below. Check that you have all parts and hardware before assembly. Parts apparently missing are often found in packing materials. If you do not have all parts listed, call us and they be sent to you immediately

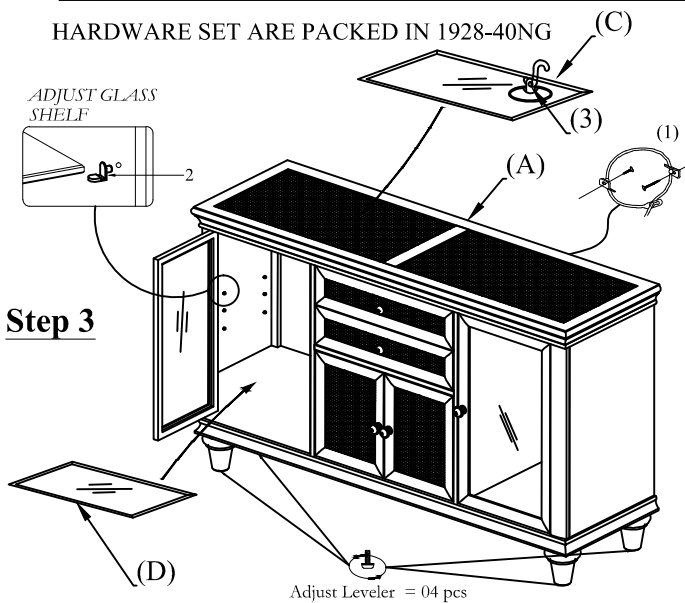


It is recommended to install protective pads under all legs and supports to avoid damage or scratches when placing furniture on a wood floor or other hard surface, and to limit indentation and prevent discoloration if placing on carpet.

HARDWARE LIST			
NO.	DESCRIPTION	DRAWING	Q'TY
1	ANTI-TIPPING RESTRAINT		1SET
2	SHELF PIN		8PCS
3	GLASS SUCTION		2PCS

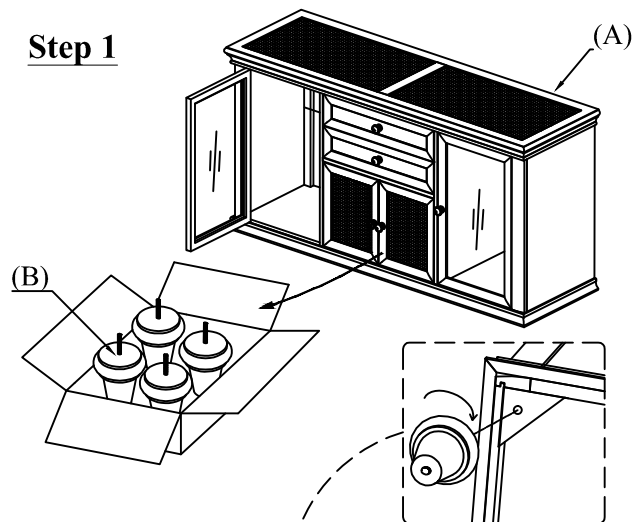
PARTS LIST			
A		SERVER / DESSERTTE	1PC
B		LEG / PIED	4PCS
C		TOP GLASS	2PCS
D		SHELF GLASS	2PCS

HARDWARE SET ARE PACKED IN 1928-40NG (C)

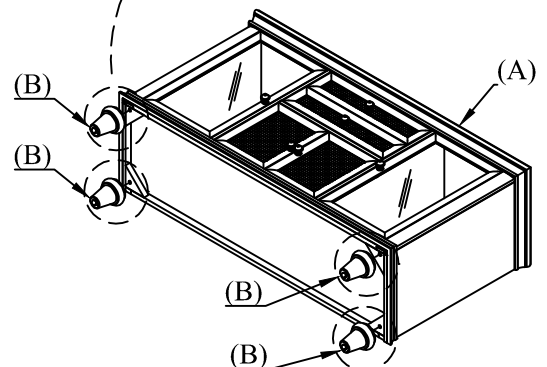


Step 3

Step 1



Step 2



DO NOT TIGHTEN BOLTS UNTIL COMPLETELY ASSEMBLED.

NOTE: Tipping Restraint hardware kit comes with this product. Please refer to the installation instruction in the hardware pack.