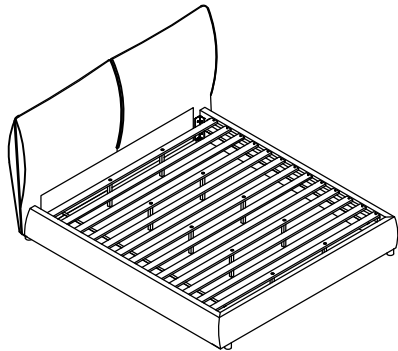




ASSEMBLY INSTRUCTIONS

ITEM NO.: 1930K-1 KING UPH HEADBOARD
 1930K-2 KING UPH FOOTBOARD W/ SLATS
 1930-3 QUEEN/KING UPH SIDE RAIL



Thank you for purchasing this product. Please take time to read and follow the instructions below. Check that you have all parts and hardware before assembly. Parts apparently missing are often found in the packing materials. If you do not have all the parts listed, have your dealer contact us and they be sent to you immediately.



It is recommended to install protective pads under all legs and support to avoid damage or scratches when placing furniture on a wood floor or other hard surface, and to limit Indentation and prevent discoloration if placing on carpet.

* DO NOT TIGHTEN BOLTS UNTIL COMPLETELY ASSEMBLED

1930K-1 PARTS LISTS

NO.	SKETCH	DESCRIPTION	QTY
A		Headboard	1 PC
B		Bun foot	2 PCS

1930K-2 PARTS LISTS

B		Bun foot	2 PCS
C		Footboard	1 PC
D		Slat	1 ROLL/ 13 PCS
E		Slat Support Leg	10 PCS

1930-3 PARTS LISTS

F		LSF Side Rail	1 PC
G		RSF Side Rail	1 PC

HARDWARE LISTS

NO.	SKETCH	DESCRIPTION	SIZE	QTY
1		Bolt	Ø5/16"-18 x 1-1/4"L	8 PCS
2		Spring washer	Ø5/16" x 13/32" x 2mmT	8 PCS
3		Flat washer	Ø5/16" x 23/32" x 2mmT	8 PCS
4		Allen Key	1/6" x 2-3/8"L	1 PC
5		Metal Connector	7-4/5" x 2" x 2" x 2mmT	2 PCS

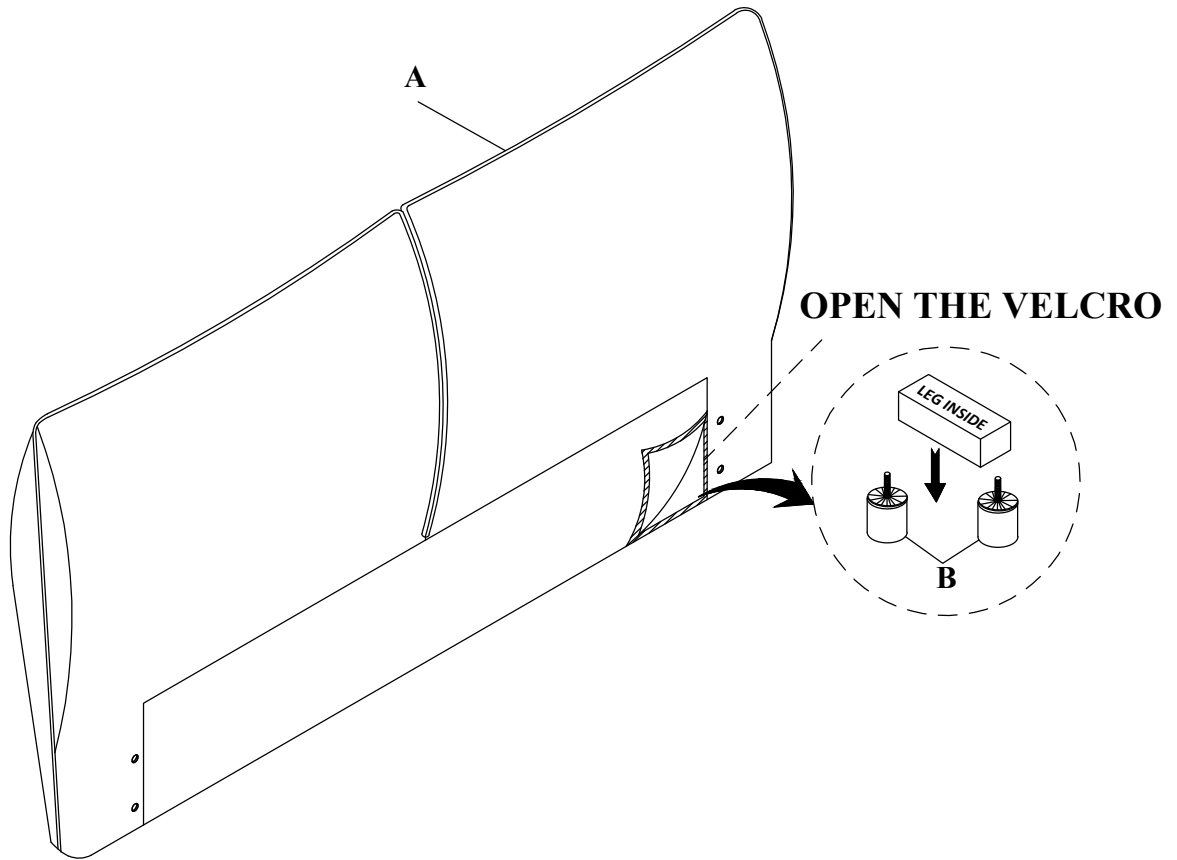
* ABOVE HARDWARE ARE PACKED IN #1930K-1 FOR ASSEMBLY

HARDWARE LISTS

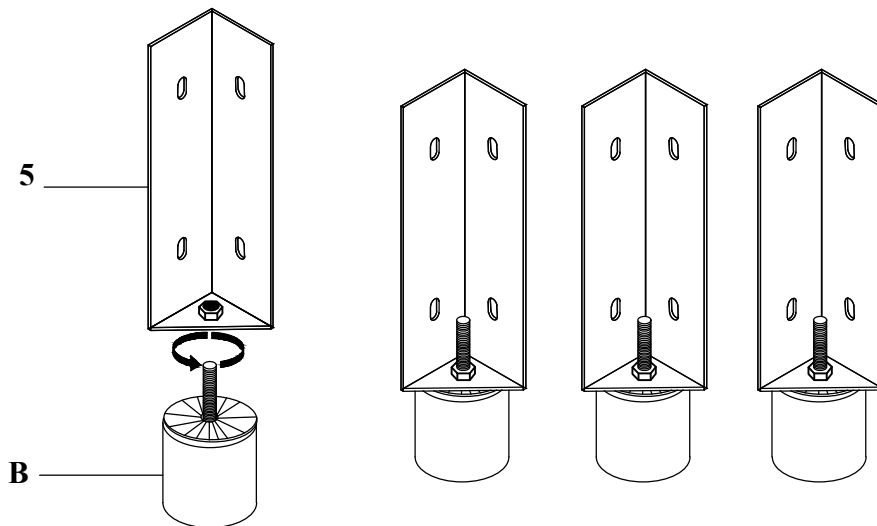
1		Bolt	Ø5/16"-18 x 1-1/4"L	8 PCS
2		Spring washer	Ø5/16" x 13/32" x 2mmT	8 PCS
3		Flat washer	Ø5/16" x 23/32" x 2mmT	8 PCS
4		Allen Key	1/6" x 2-3/8"L	1 PC
5		Metal Connector	7-4/5" x 2" x 2" x 2mmT	2 PCS
6		Screw	M4-13 x 1-1/4"L	26 PCS
		Screwdriver	Not Provided	

* ABOVE HARDWARE ARE PACKED IN #1930K-2 FOR ASSEMBLY

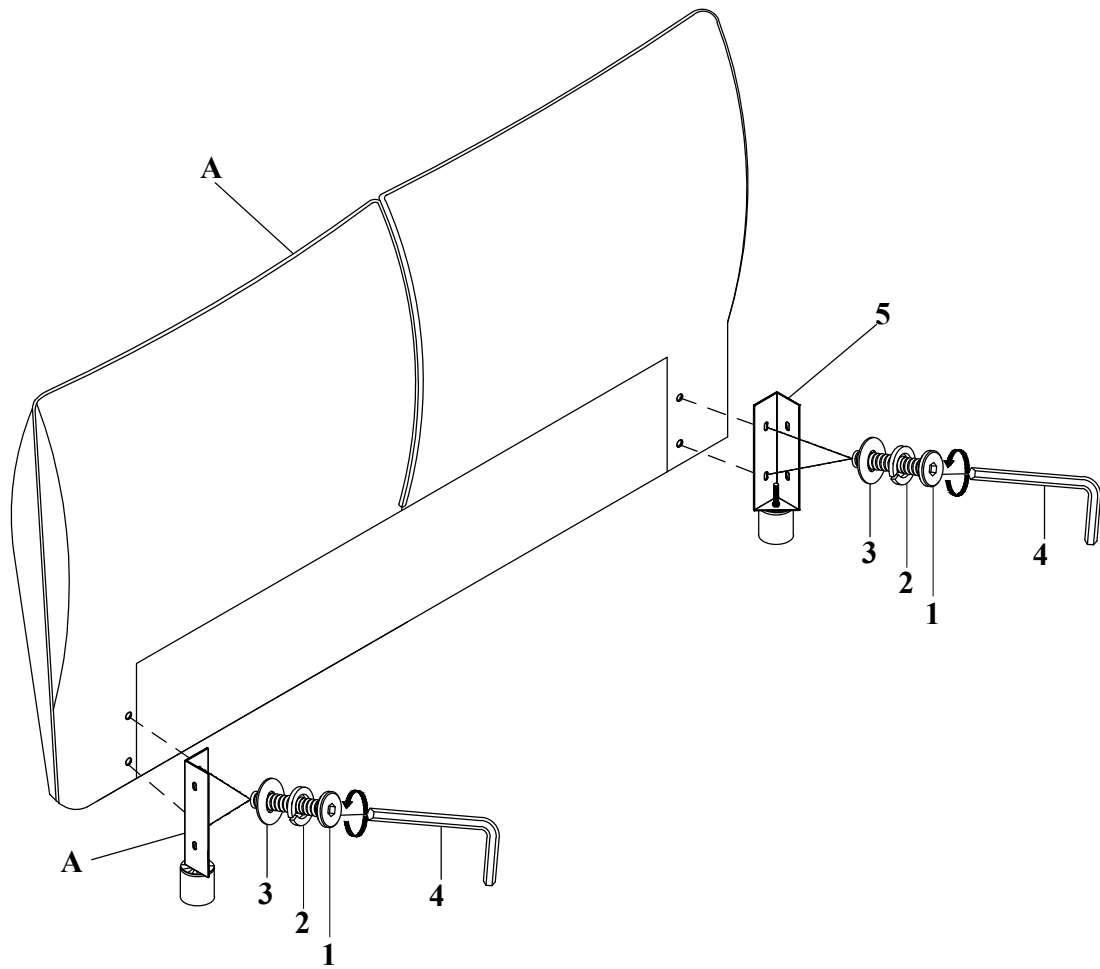
STEP 1:



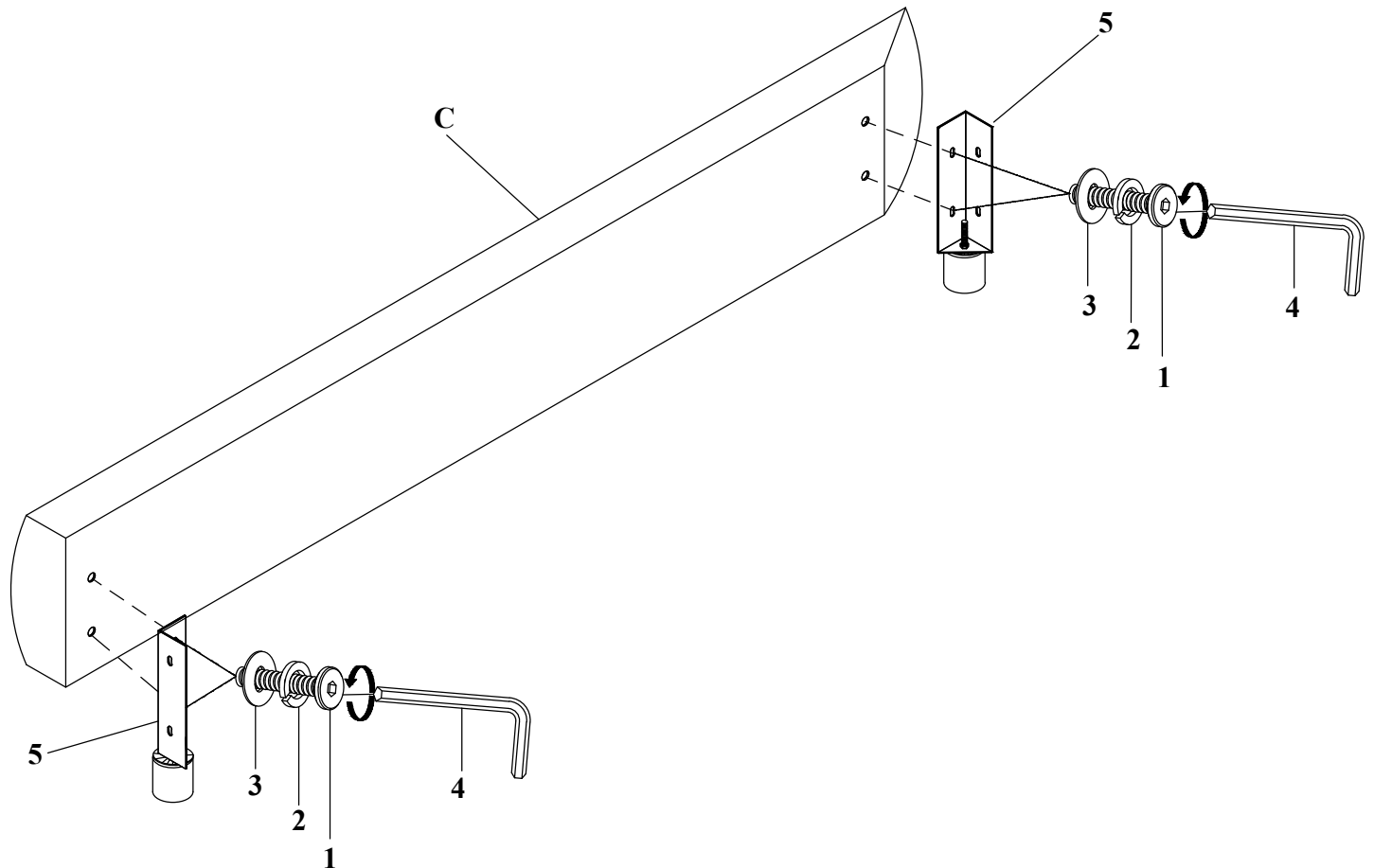
STEP 2:



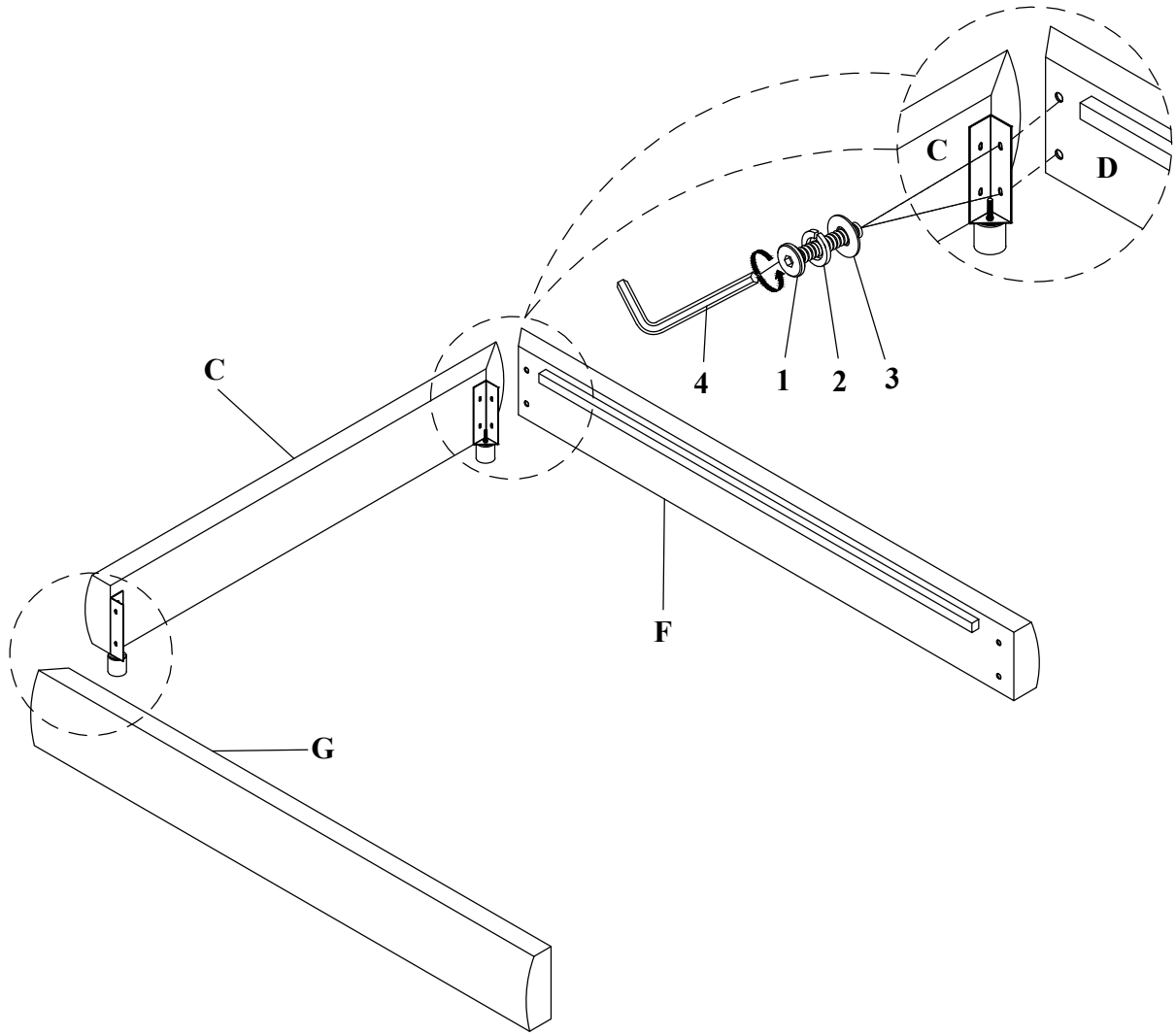
STEP 3:



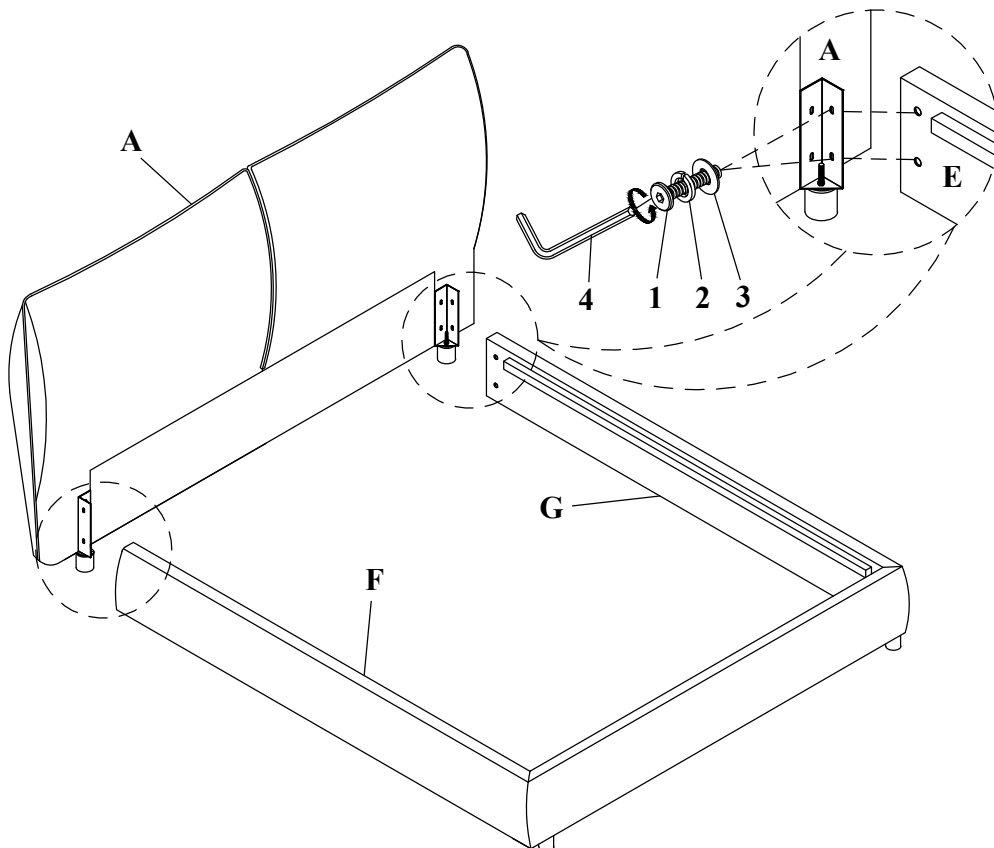
STEP 4:



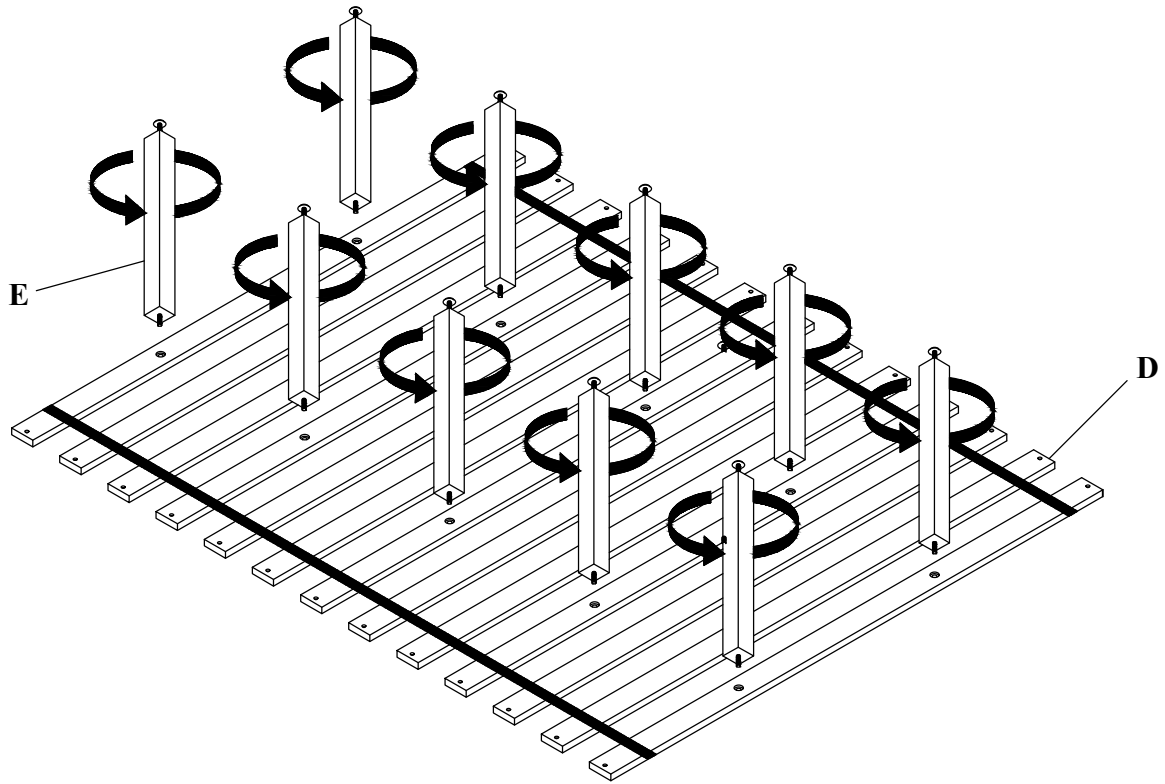
STEP 5:



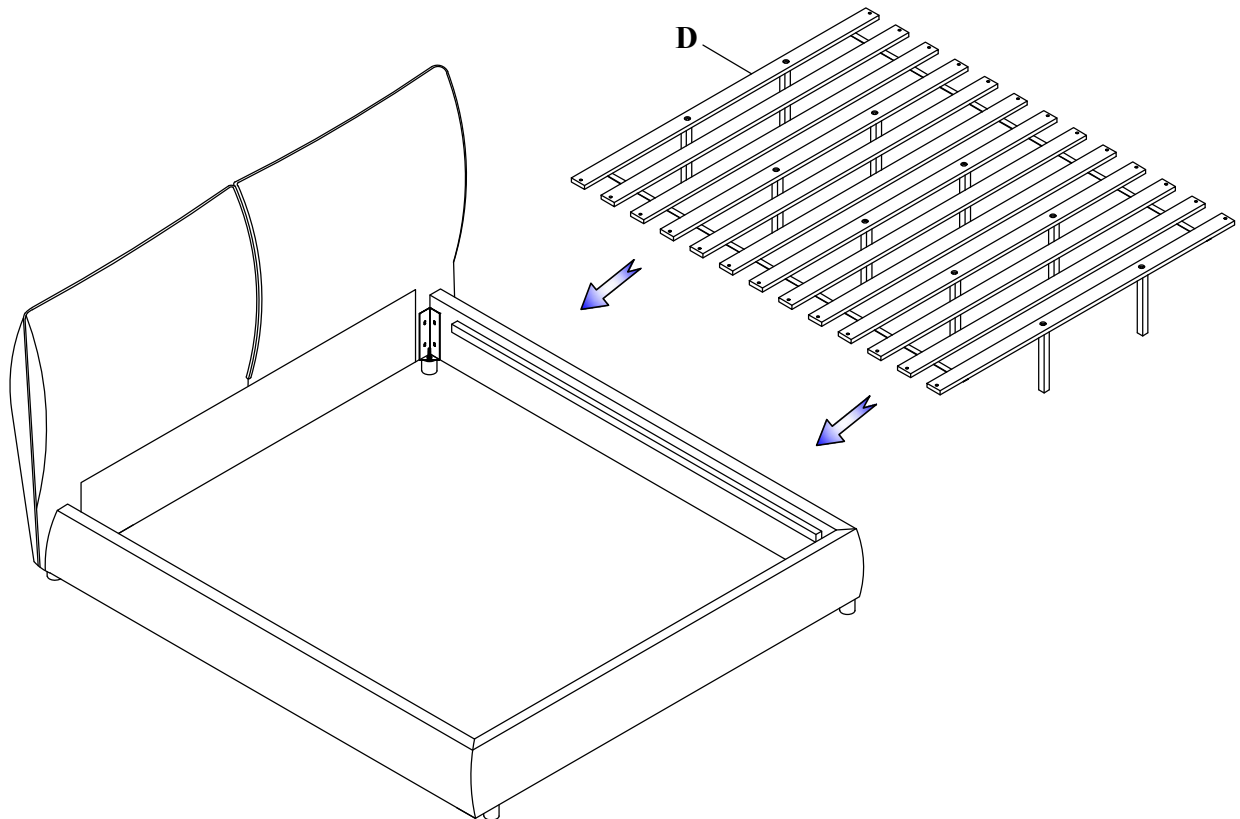
STEP 6:



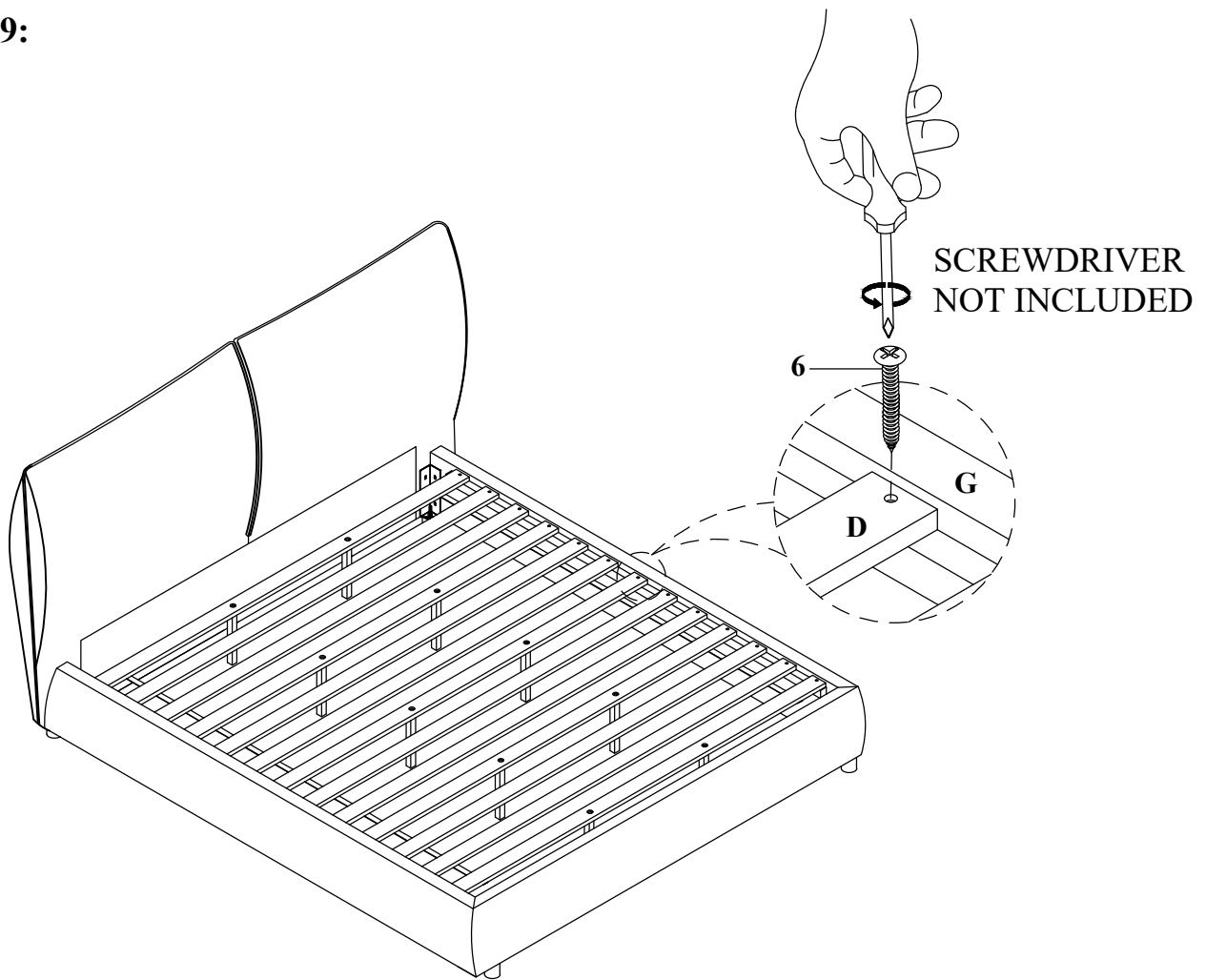
STEP 7:



STEP 8:



STEP 9:



COMPLETED

