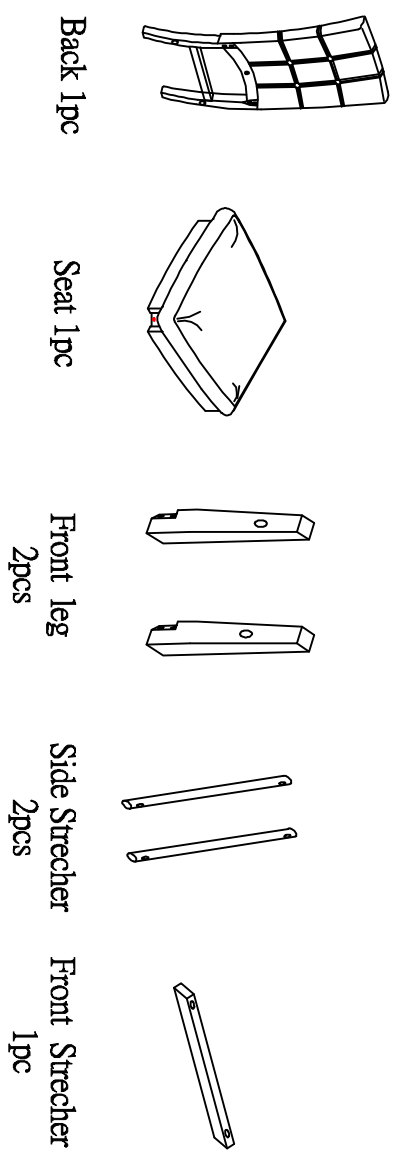


ASSEMBLY INSTRUCTION

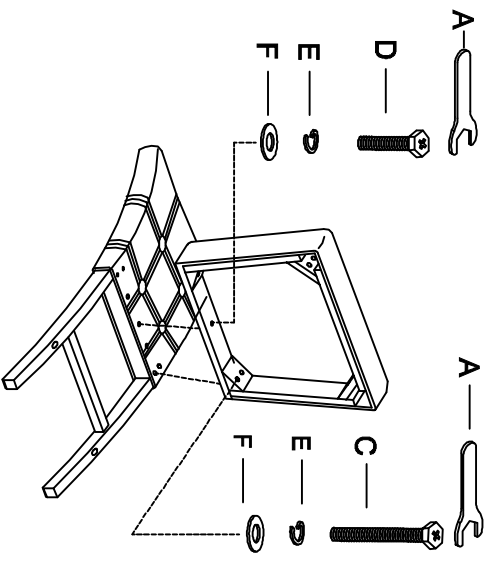
2456-24 COUNTER HEIGHT CHAIR

PART LIST:

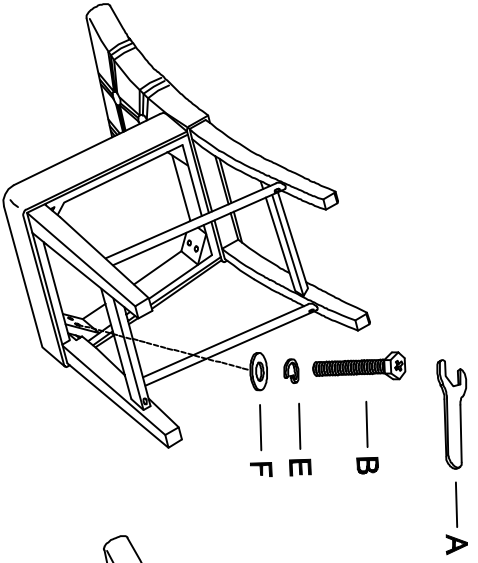


HARDWARE LIST				
A		L-ALLEN KEY	4mm	1 PC
B		Bolt	Ø5/16"x2-1/4"	4 PCS
C		Bolt	Ø5/16"x3"	4 PCS
D		Bolt	Ø5/16"x1-1/2"	1 PC
E		Spring Washer	Ø5/16"	9 PCS
F		Flat Washer	Ø5/16"xØ19mm	9 PCS
G		SCREW	Ø8mmx1-1/4"	6 PCS

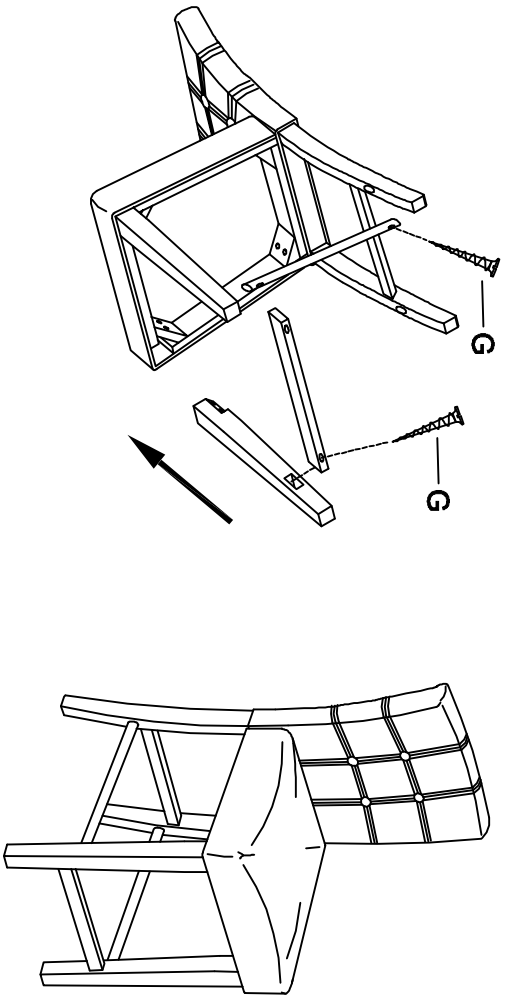
STEP 1



STEP 2



STEP 3



COMPLETED