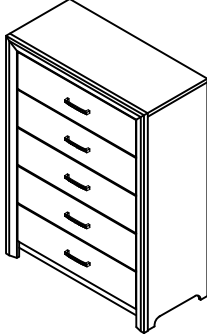


ASSEMBLY INSTRUCTION

ITEM NO: SH2212-9
 SH2212GRY-9
 SH2212BLK-9
 CHEST

Item Illustration



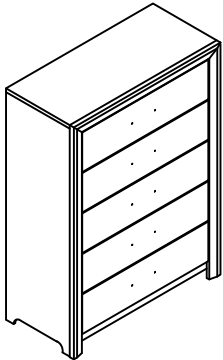




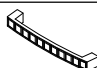

Thank you for purchasing this product. Please take time to read and follow the instructions below. Check that you have all parts and hardware before assembly. Parts apparently missing are often found in the packing materials. If you do not have all the parts listed, have your dealer contact us and they will be sent to you immediately.



It is recommended to install protective pads under all legs and supports to avoid damage or scratches when placing furniture on a wood floor or other hard surface, and to limit indentation and prevent discoloration if placing on carpet.

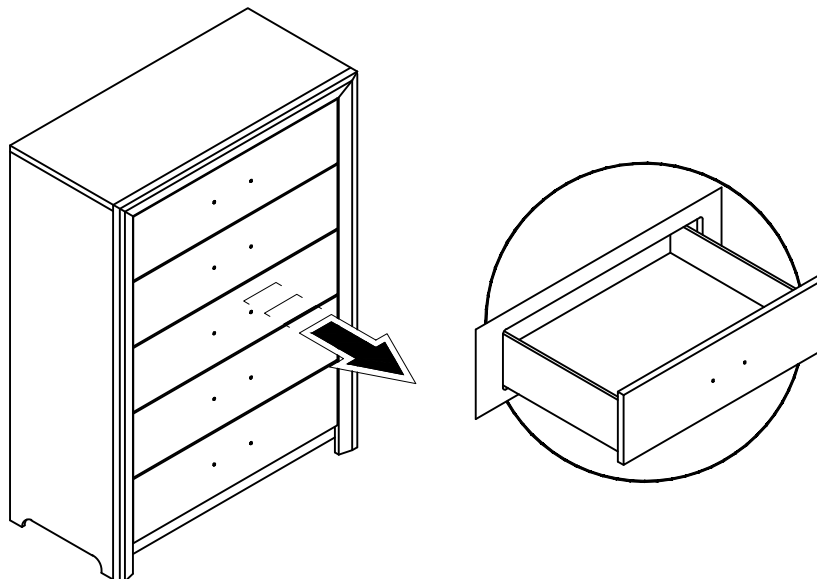


Hardware may loosen over time. Periodically check to make sure all connections are tight. Re-tighten if necessary.

No.	PARTS LIST		Qty.	No.	HARDWARE LIST		Qty.
A		Chest	1PC	1		16mm Screw	1PC
				2		50mm Screw	1PC
				3		Strap	1PC
				4		L Bracket	2PCS
				5		Handle	5PCS
				6		Handle Screw	10PCS

STEP 1

Pull out the **drawer** of Chest (A).

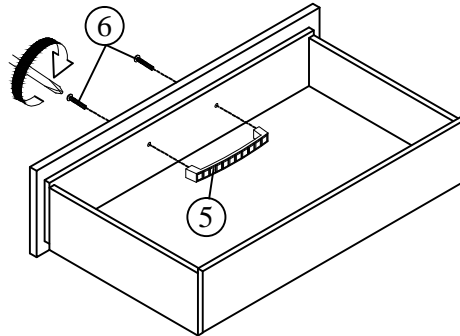


ASSEMBLY INSTRUCTION

ITEM NO: SH2212-9
SH2212GRY-9
SH2212BLK-9
CHEST

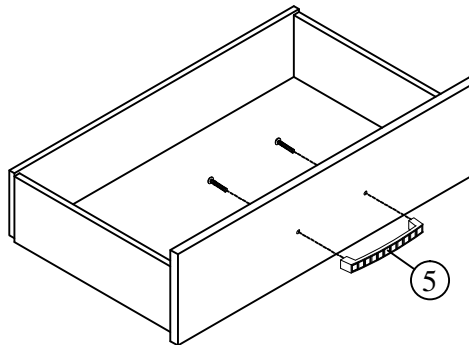
STEP 2

Use screwdriver to remove the screws & handle.



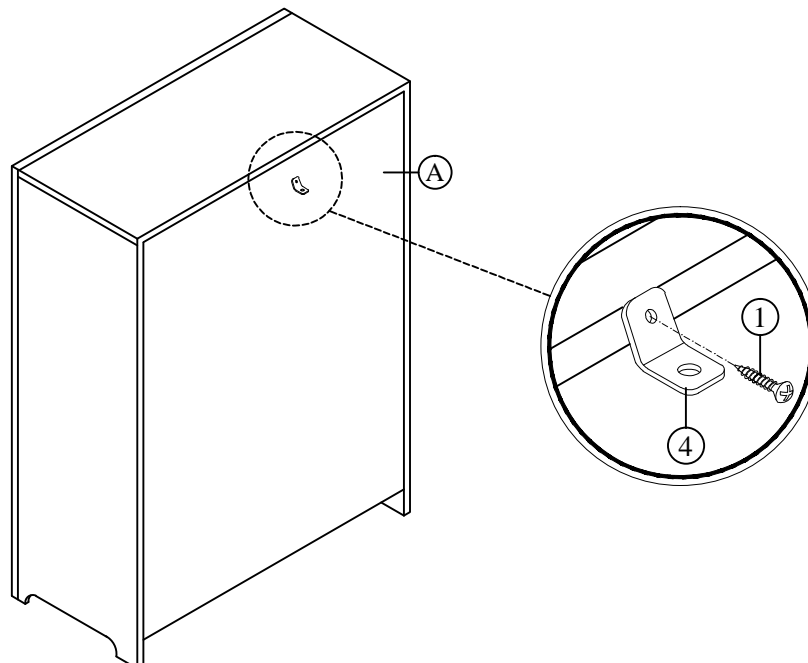
STEP 3

Position the handle in front of drawer panel and screw it tightly with the same screw.
Repeat the step 1 - 3 for the other drawers.



STEP 4

Install anti-tipping kit.



ASSEMBLY INSTRUCTION

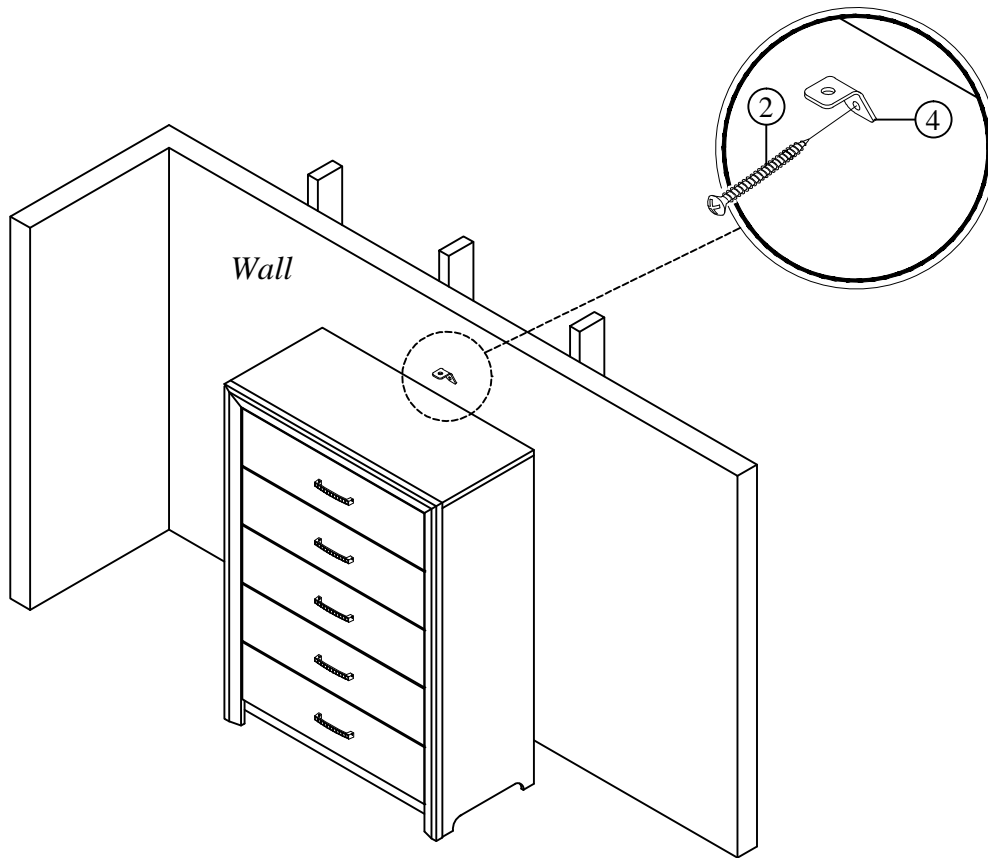
ITEM NO: SH2212-9

SH2212GRY-9

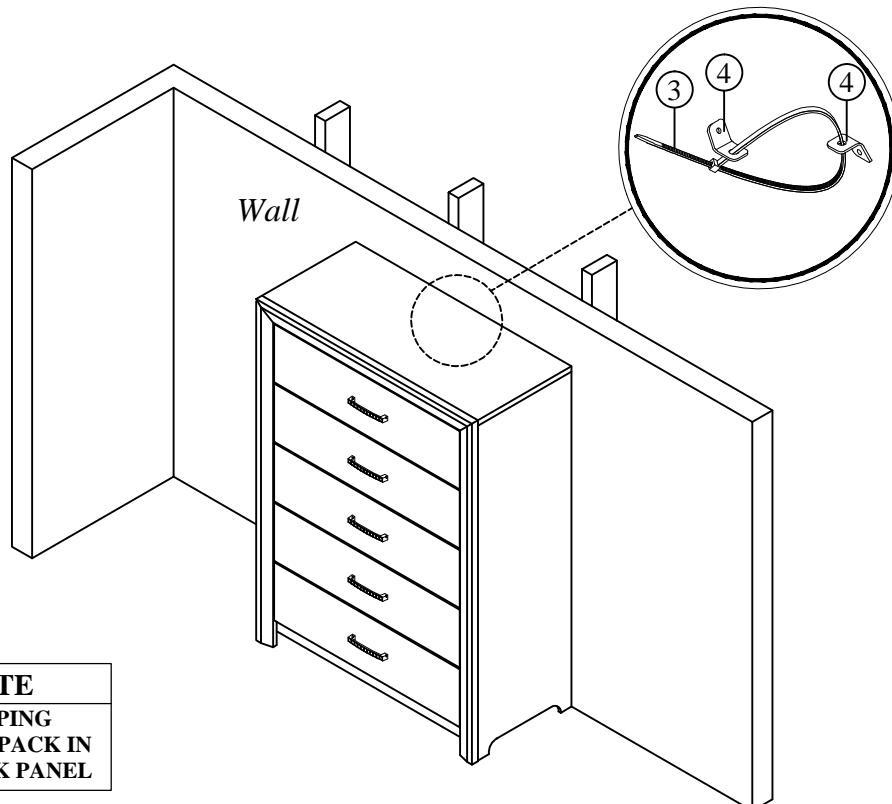
SH2212BLK-9

CHEST

STEP 5



STEP 6



NOTE
ANTI-TIPPING
HARDWARE PACK IN
AT THE BACK PANEL