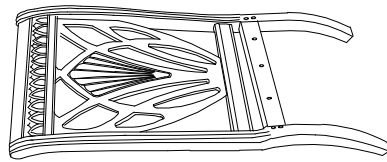




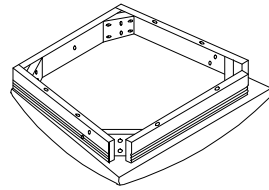
HOMEELEGANCE

# ASSEMBLY INSTRUCTION 5055S SIDE CHAIR

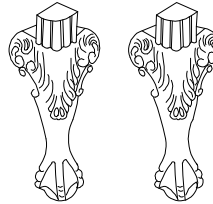
## PART LIST :



Chair Back  
1pc



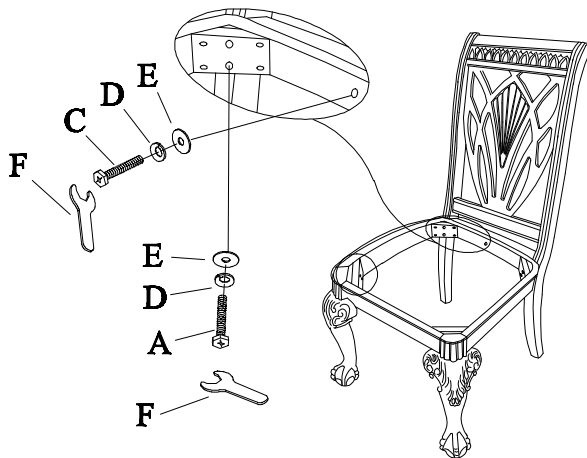
Seat Cushion  
1pc



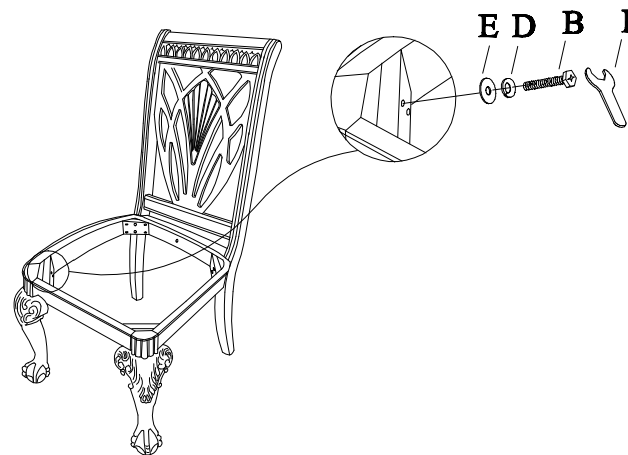
Front Leg  
2pcs

HARDWARE LIST				
A		Bolt	5/16"*3"	4PCS
B		Bolt	5/16"*2-1/2"	4PCS
C		Bolt	5/16"*1-1/2"	1PC
D		Spring Washer	5/16"	9PCS
E		Flat Washer	5/16"(Ø19)*1.5	9PCS
F		Wrench	12mm	1PC

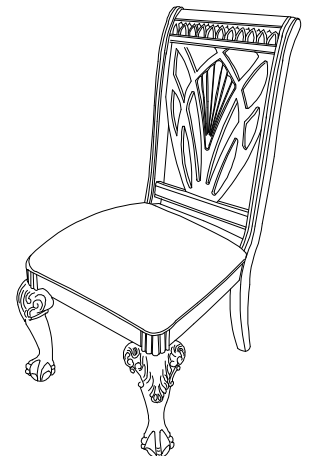
### STEP 1



### STEP 2



### COMPLETED



- (1) Align the seat to the chair back , insert the bolt and washer to pre-drilled holes and tighten it .
- (2) Attach the leg to seat , insert the nut and washer then tighten it .