



ASSEMBLY INSTRUCTION

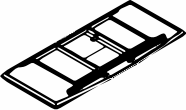
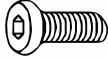

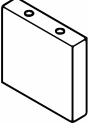
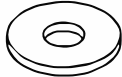

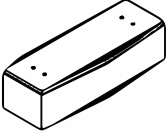

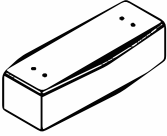
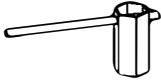
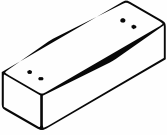


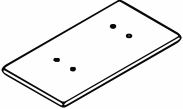

ITEM#:5599-71/5599N-71

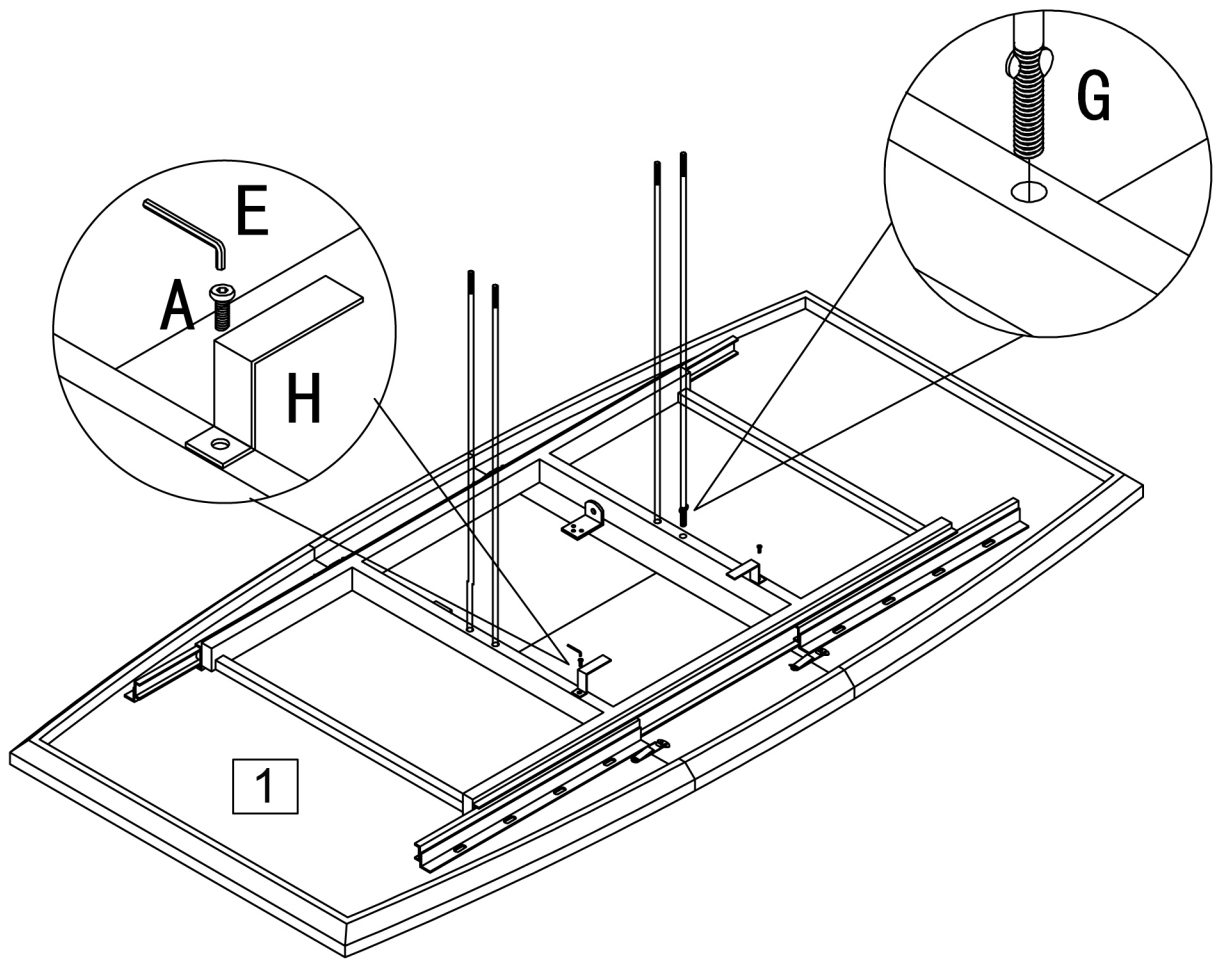
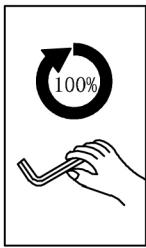
DESCRIPTION:DINING TABLE

5599/5599N-71T DINING TABLE TOP

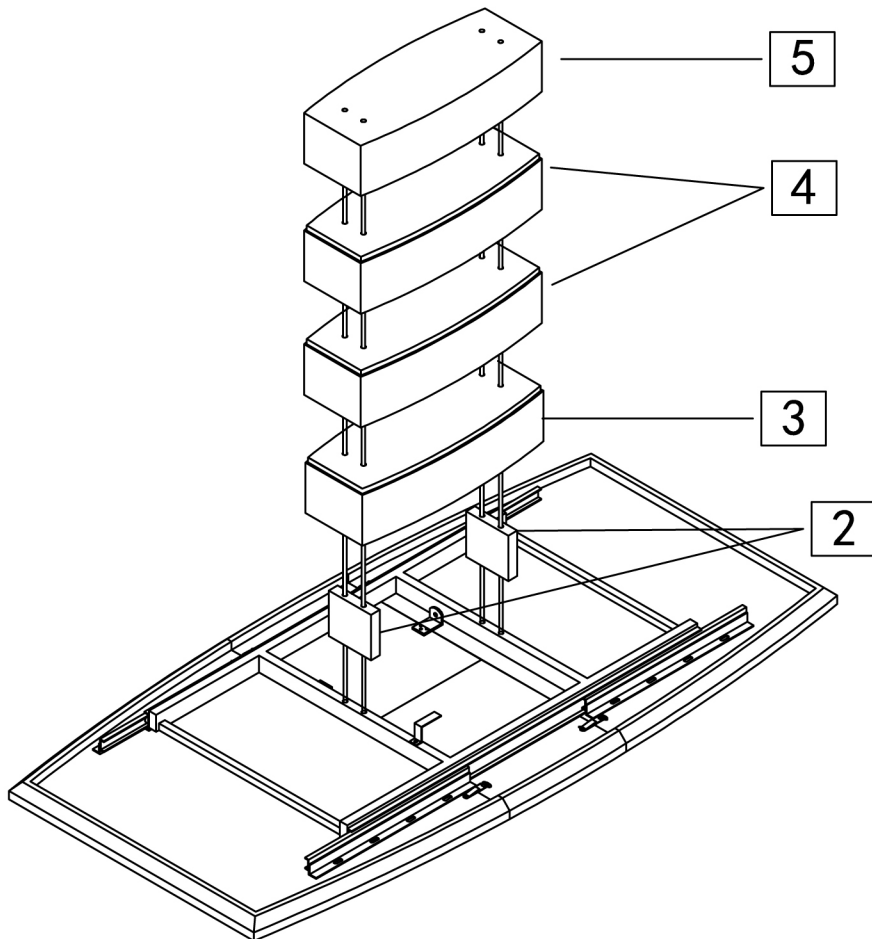
5599/5599N-71B DINING TABLE BASE

5599/5599N-71M DINING TABLE PLATE

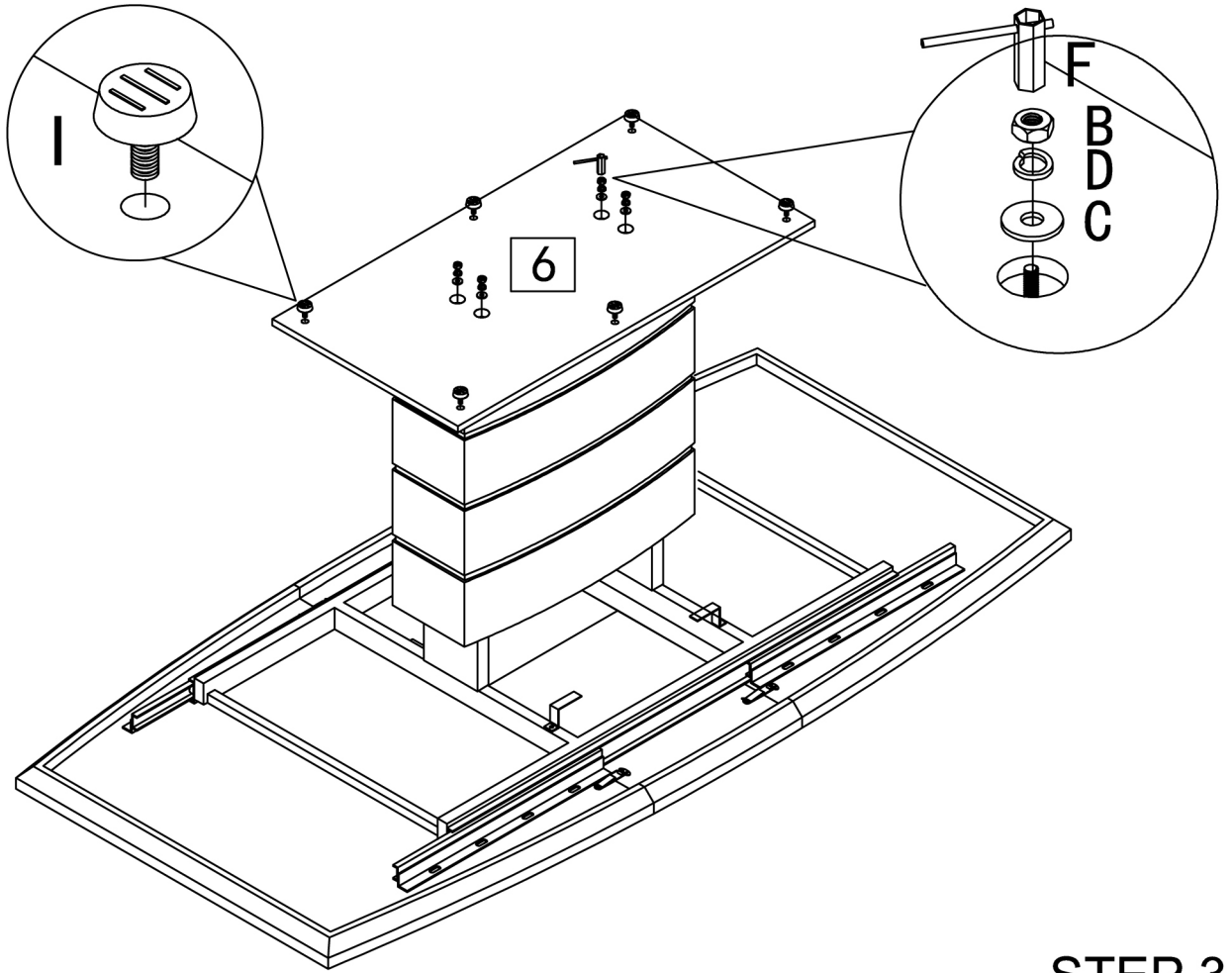
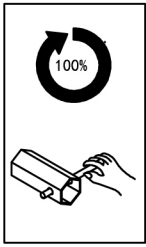
NO.	PARTS LIST		QTY	HARDWARE LIST			
				NO.	HARDWARE PACK IN 5599-71T		QTY
1		DINING TABLE TOP	1	A		ALLEN BOLT M6*16MM	2
				B		HEX NUT M8	4
2		DINDING TABLE BASE	2	C		FLAT WASHER	4
				D		LOCK WASHER	4
3		DINDING TABLE BASE	1	E		ALLEN KEY 4MM	1
4		DINDING TABLE BASE	2	F		HEX NUT WHEEL WRENCH M8	1
5		DINDING TABLE BASE	1	G		METAL ROD	4
				H		BRACKET	2
6		DINING TABLE PLATE	1	I		LEVELER	6



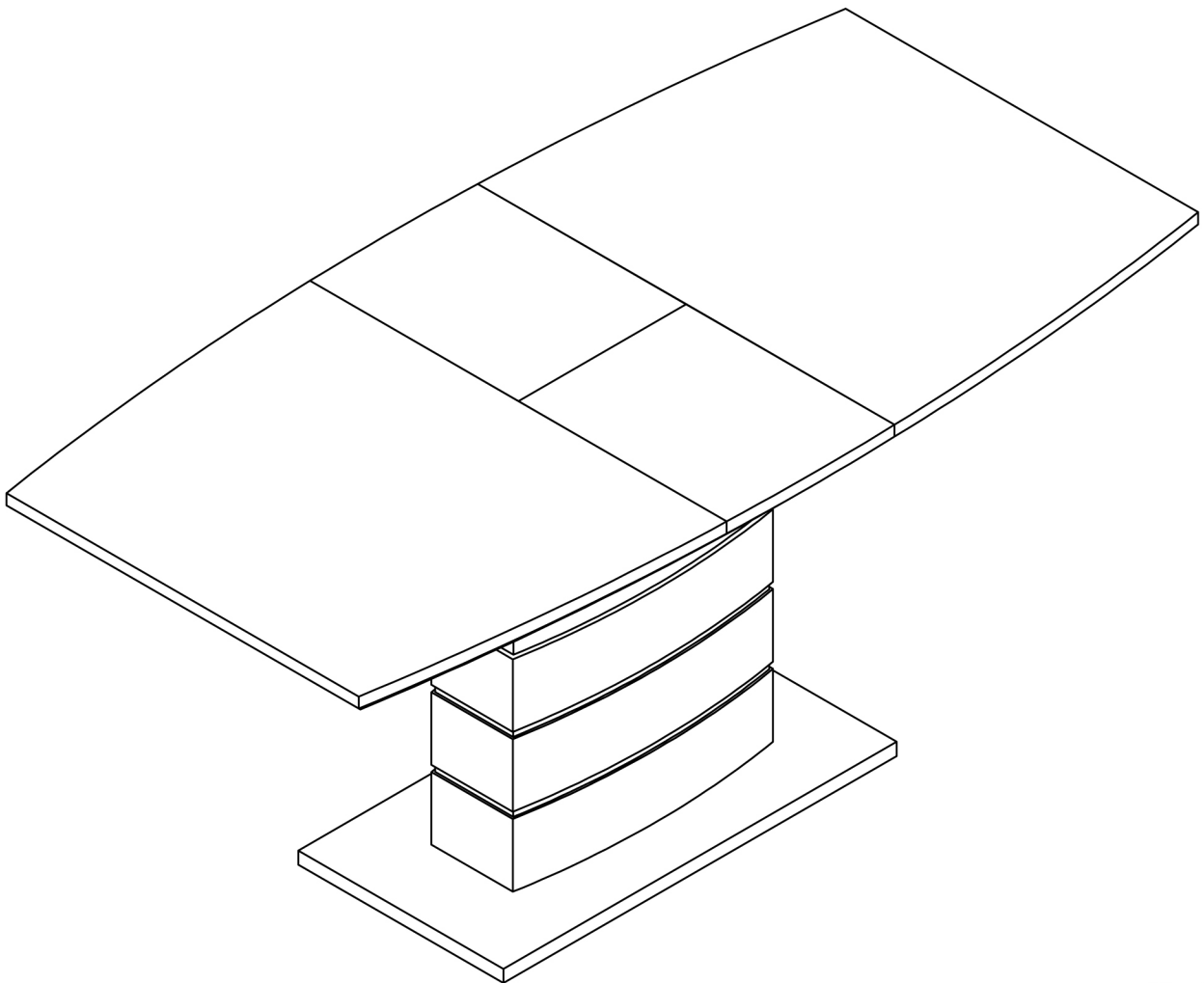
STEP 1



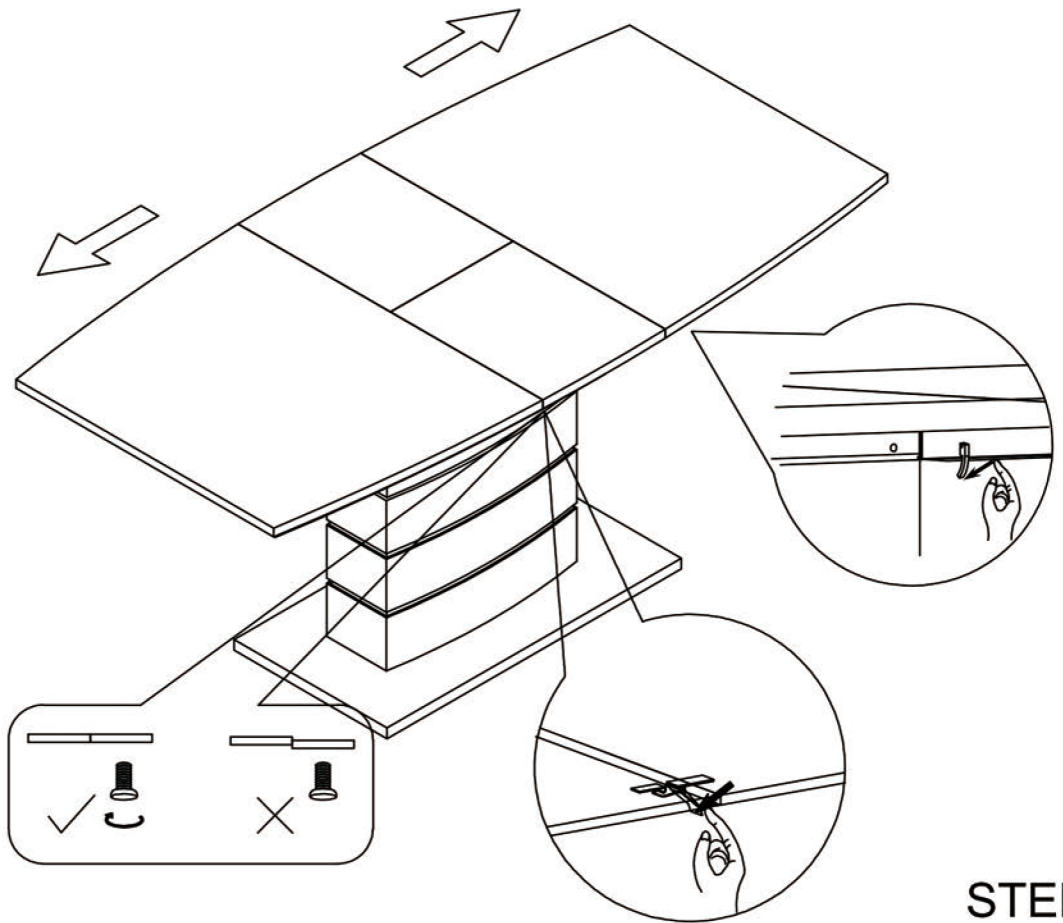
STEP 2



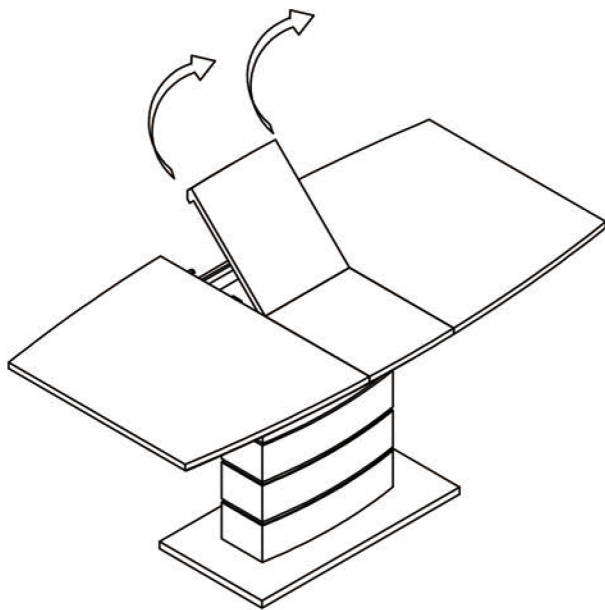
STEP 3



STEP 4



STEP 5



STEP 6



Please always lift up the table from the center to avoid tipping/dropping or imbalance causing damages or injuries.

! For items use on wooden floor, hard surfaces or carpets, it is recommended to install protective pads under all legs and supports to avoid/prevent from damages/scratches and discoloration
Do not tighten bolts until completely assembled