





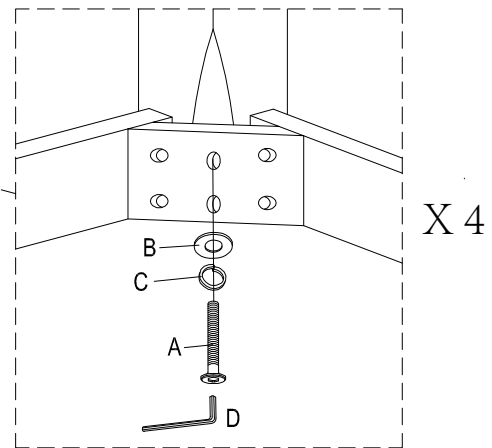
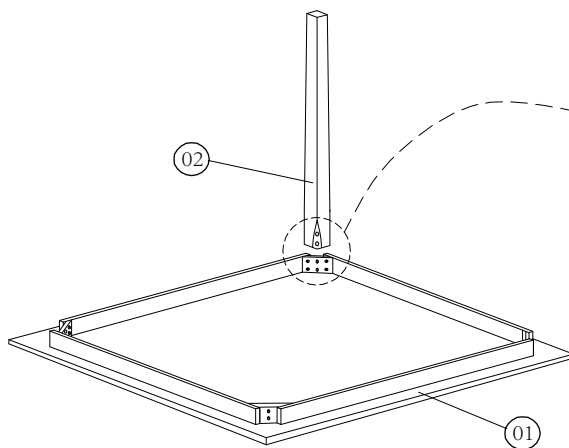
PART LIST

- ① TABLE TOP - 1 PC
- ② TABLE LEG - 4 PCS

HARDWARE PACK		
NO	DESCRIPTION	QTY
A	JCBC SCREW M6 x 70mm 	8
B	FLAT WASHER 	8
C	SPRING WASHER 	8
D	SHORT ALLEN KEY M4 	1

* Hardware pack in 5801-36 *

* NOTE :
PLEASE ASSEMBLY ON SMOOTH SURFACE.



Made In Malaysia