



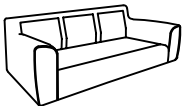



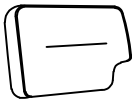

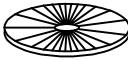
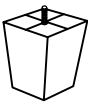
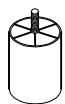
Assembly Instruction

ITEM NO.: 8416BU/GY-3

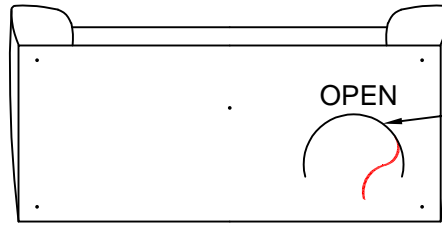
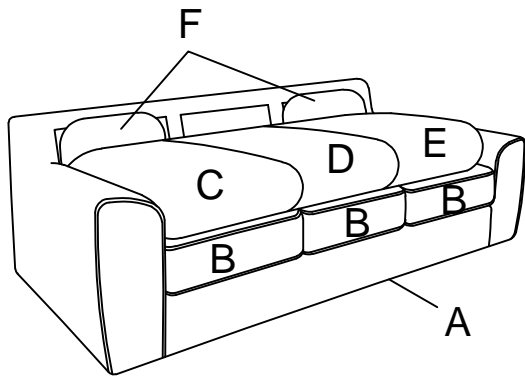
Sofa (With 2 Pillows)




Note: Do not use power tools for assembly. Power tools increase the risk of over tightening which lead to splitting or cracking the wood.

Component list

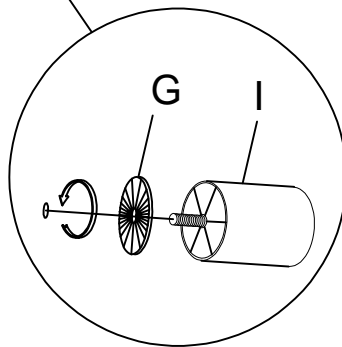
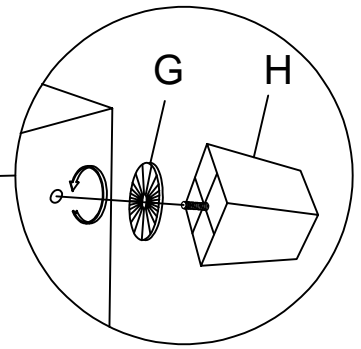
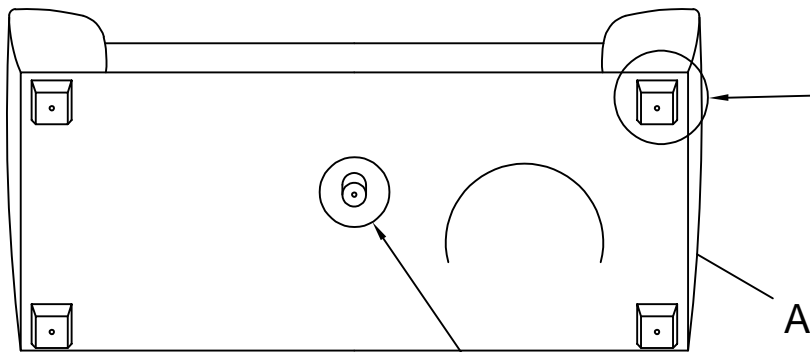
No	Drawing	Qty	Description
A		1	SEAT
B		3	SEAT CUSHION
C		1	LSF BACK CUSHION
D		1	MIDDLE BACK CUSHION
E		1	RSF BACK CUSHION
F		2	PILLOW (18"x18")
G		5	PLASTIC GASKET
H		4	WOONDEN LEG (100*100*110mm)
I		1	MIDDLE LEG (60*115mm)

Step #1

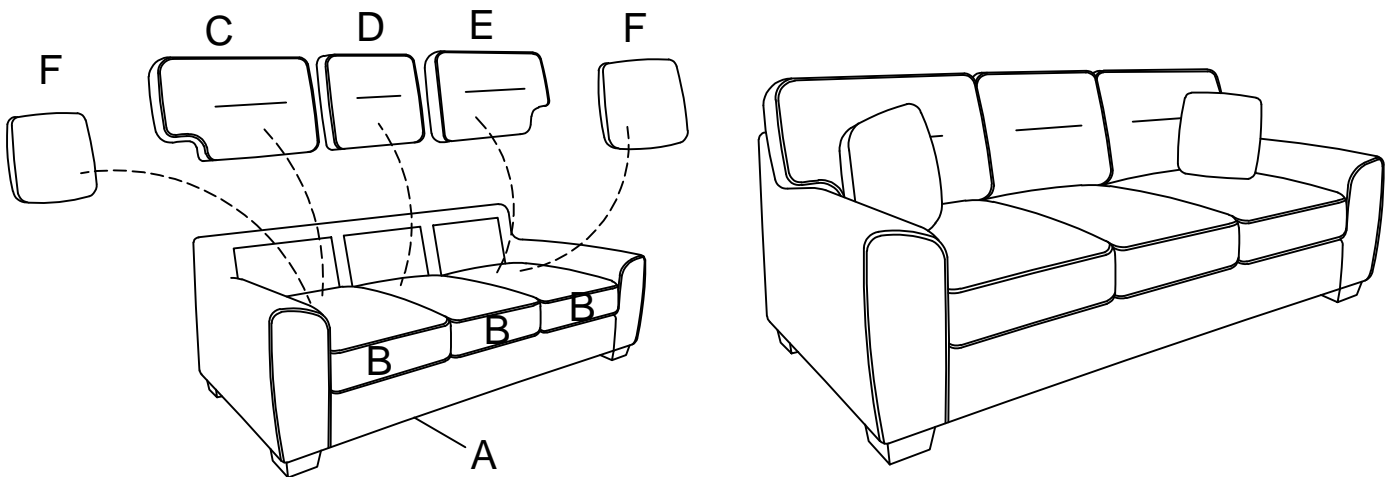


-  G x 5
-  H x 4
-  I x 1

Step #2



Step #3



Care Instruction for Chenille Furniture:

In order to maintain the original appearance of your Chenille Furniture, please follow below simple care procedures:

- Avoid exposing furniture directly to sunlight or heating and air conditioning outlets. Sunlight and or exposure to heating and air conditioning outlets will fade/damage Chenille.
- Vacuum or wipe with a soft cloth to remove dust.
- Hardware may loosen over time. Periodically check to make sure all connection are tight, Re-tighten if necessary.



For items use on wooden floor, hard surfaces or carpets, it is recommended to Install protective pads under all legs and supports to avoid/prevent from damages/scratches and discoloration.