



Assembly Instruction

LOVE SEAT

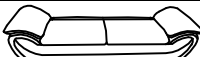
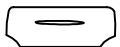


ITEM NO: 9419/BU/BLK-2






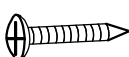

Legs and hardware are stored in the bottom of the chair. Please take out for assembly.

NOTE: Do not use power tools for assembly. Power tools increase the risk of over tightening which leads to splitting or cracking the wood.

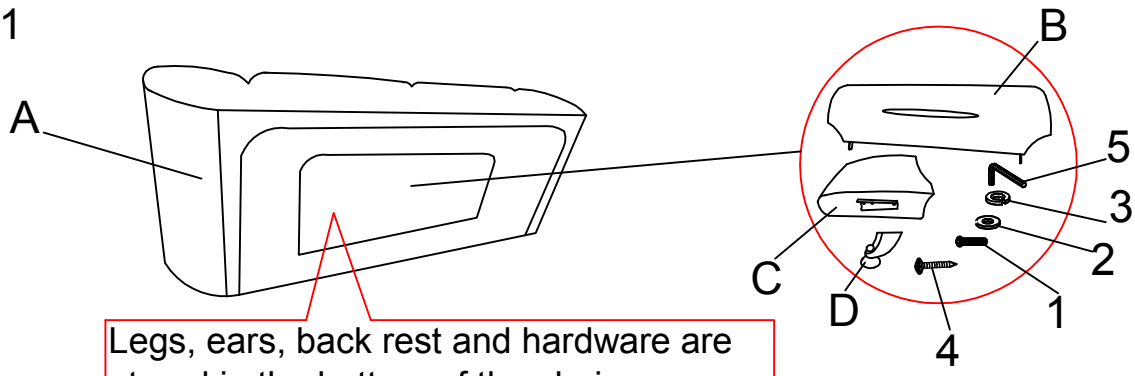
PARTS LIST

| NO. | DRAWING | QTY | DESCRIPTION |
|-----|---|------|------------------------------------|
| A |  | 1PC | SEAT |
| B |  | 1PC | BACK REST |
| C |  | 2PCS | CL / CR EARS |
| D |  | 4PCS | METAL LEGS 2.28"W*4.33"D*4.13"H |

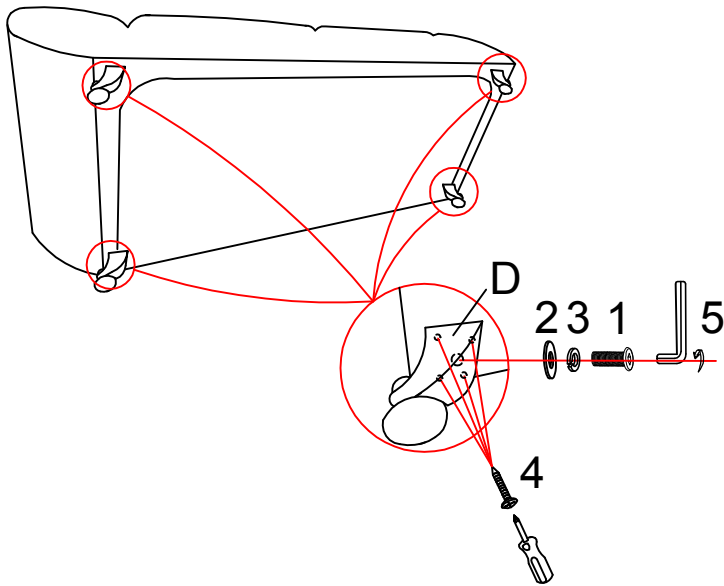
HARDWARE LIST

| NO. | DRAWING | QTY | DESCRIPTION |
|-----|---|-------|---------------------------|
| 1 |  | 4PCS | BOLT Ø1/4"X1" |
| 2 |  | 4PCS | FLAT WASHER Ø1/4"X16MM |
| 3 |  | 4PCS | SPRING WASHER |
| 4 |  | 16PCS | SCREW #10"X1-1/4" |
| 5 |  | 1PC | ALLEN KEY |

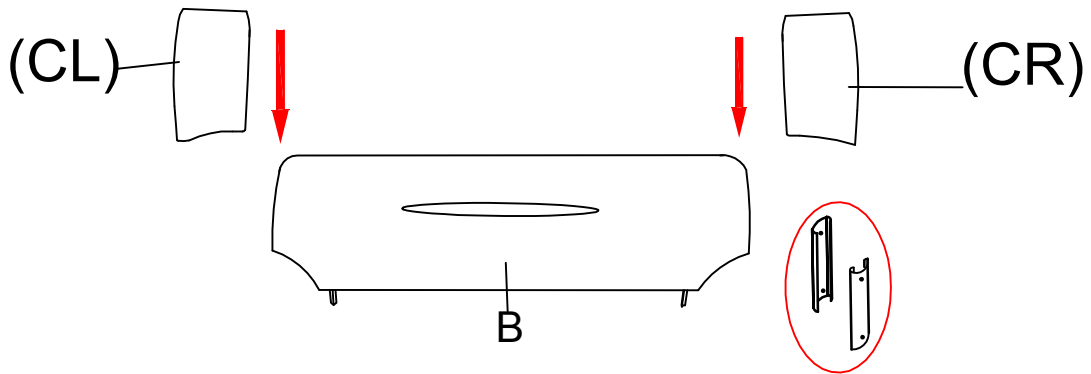
STEP#1



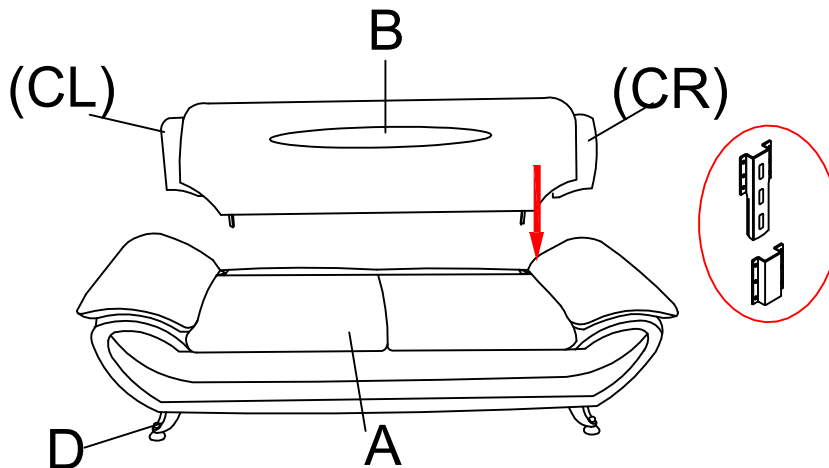
STEP#2



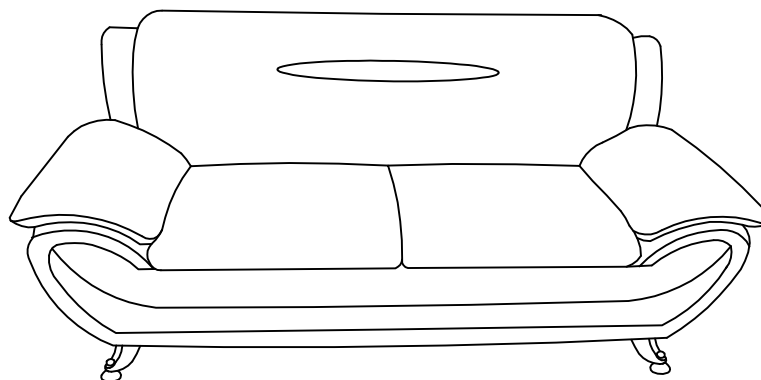
STEP#3



STEP#4



STEP#5
Completed.



CARE INSTRUCTION FOR PU:

In order to maintain the original appearance of your PU furniture, please follow below simple care procedure:

- Avoid exposing furniture directly to sunlight or heating and air conditioning outlets. Exposure to sunlight or heating and air conditioning outlets will fade/damage PU.
- Wipe gently with a damp soft cloth to remove dust, dirt and any grime build up.



It is recommended to install protective pads under all legs and supports to avoid damage or scratches when placing furniture on a wood floor or other hard surface, and to limit indentation and prevent discoloration if placing on carpet.



Il est recommandé de placer des coussins protecteurs sous tous les pieds et toutes les bases des meubles pour éviter d'endommager ou d'égratigner les planchers en bois ou autres surfaces dures, et pour limiter l'empreinte et empêcher la décoloration quand les meubles reposent sur la moquette.