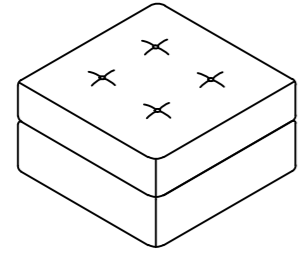
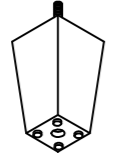

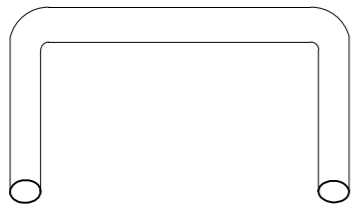
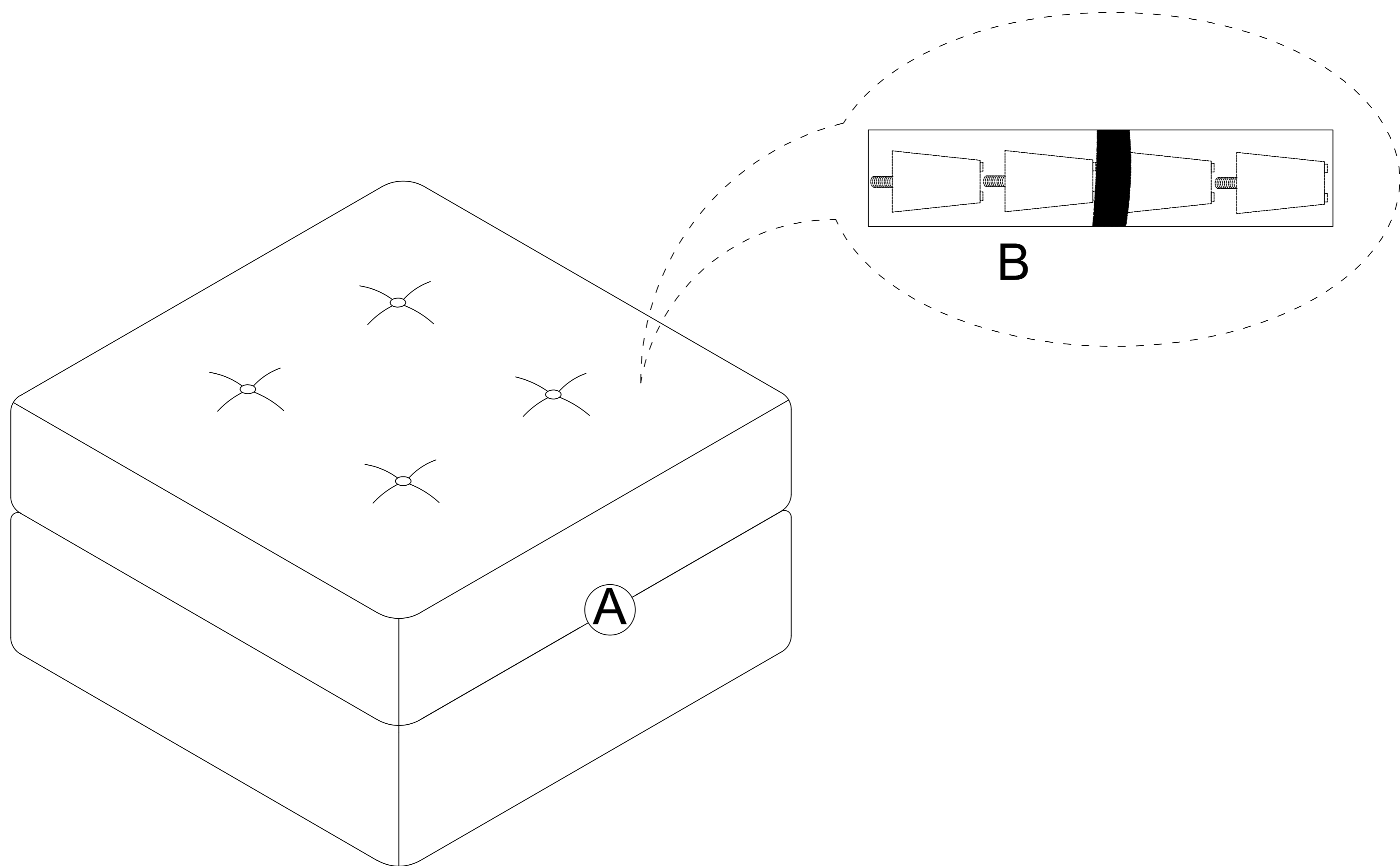


ASSEMBLY INSTRUCTION

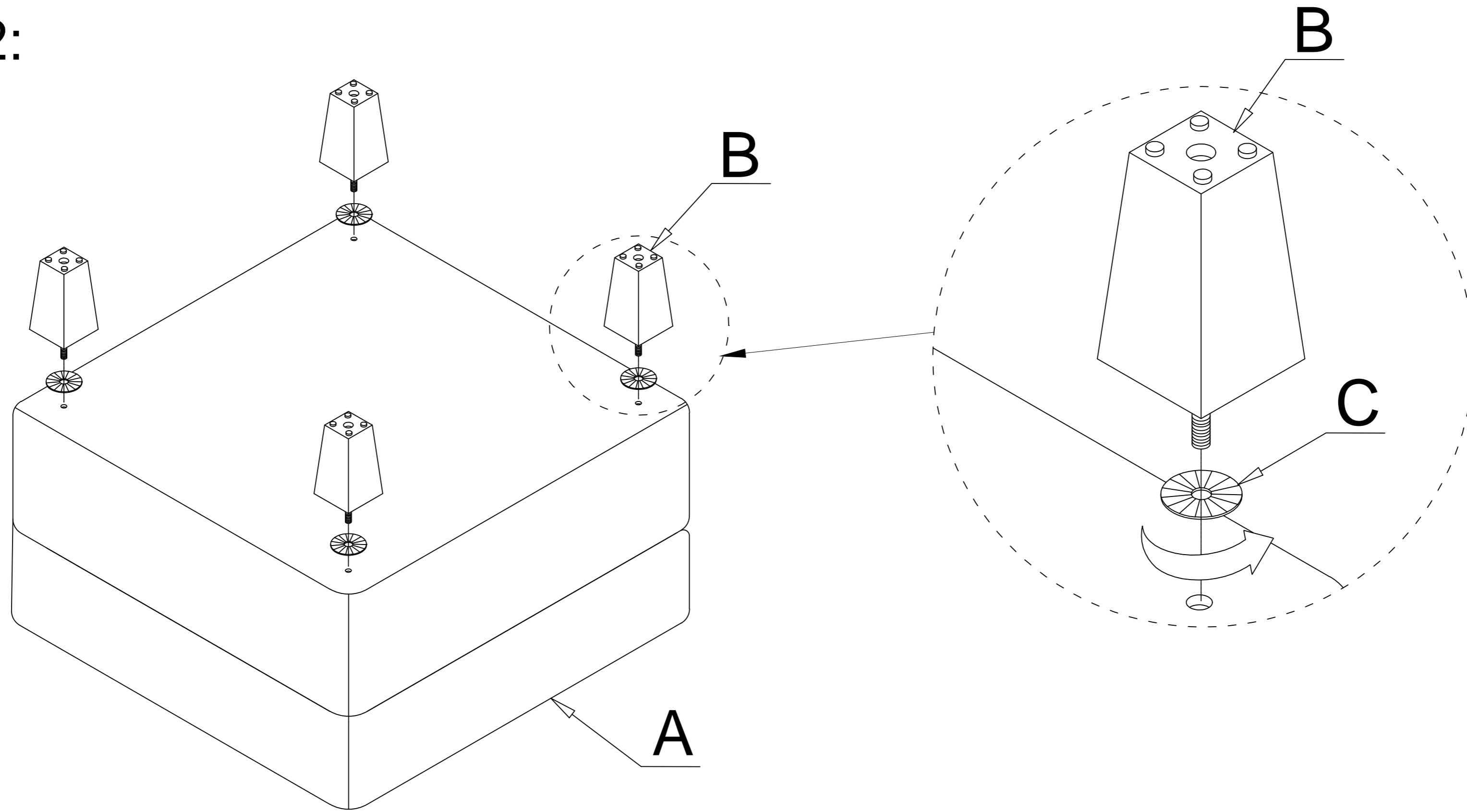
ITEM NO: 9557BUE-4 OTTOMAN WITH STORAGE

NO.	PARTS LIST	QTY	DESCRIPTION
A		1	Seat Frame
B		4	Plastic Leg 65*65*118mm
C		4	Washer
D		2	Clamp 60*40*5mm

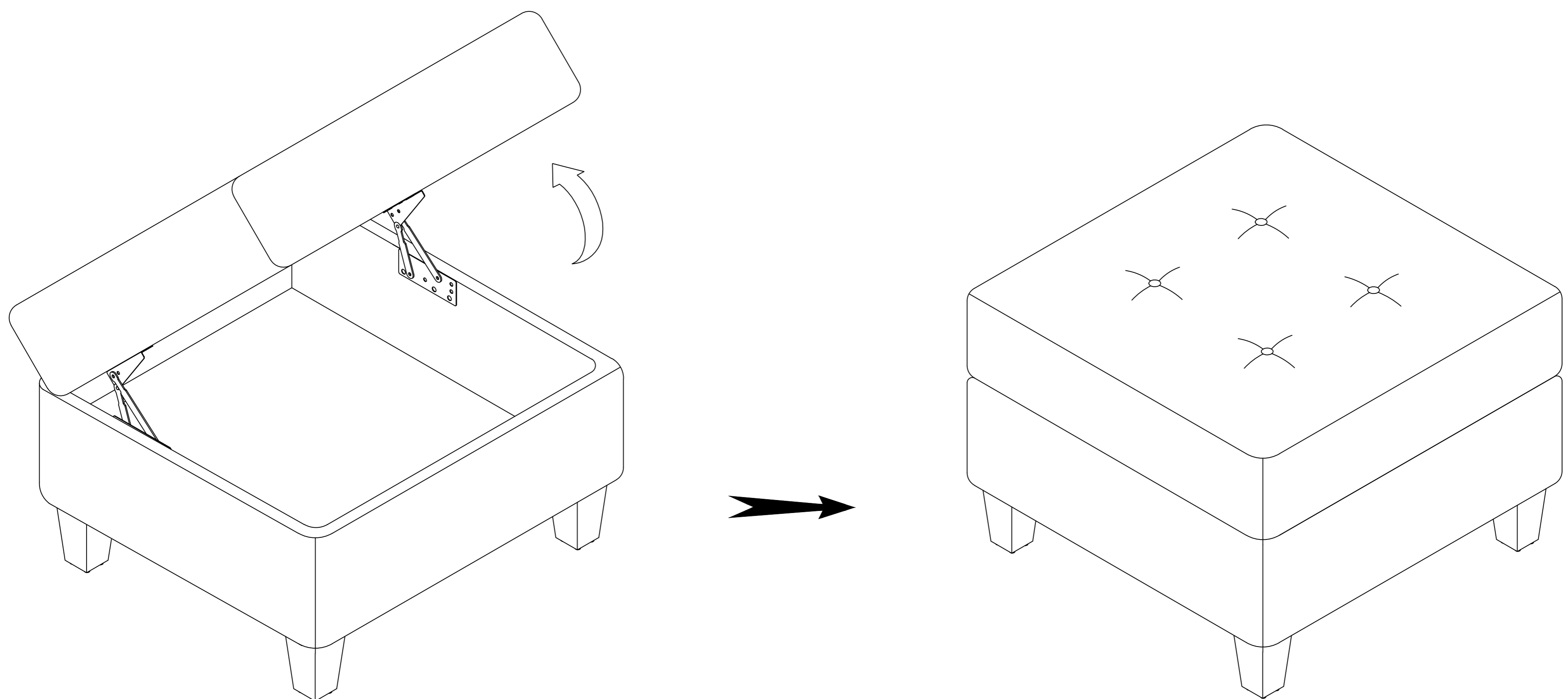
STEP 1: Take out Plastic leg(B), Washer(C), Clamp(D) from the bottom.



STEP 2:



STEP 3:



CARE INSTRUCTION FOR FABRIC FURNITURE





In order to maintain the original appearance of your fabric furniture, please follow below simple care procedures.

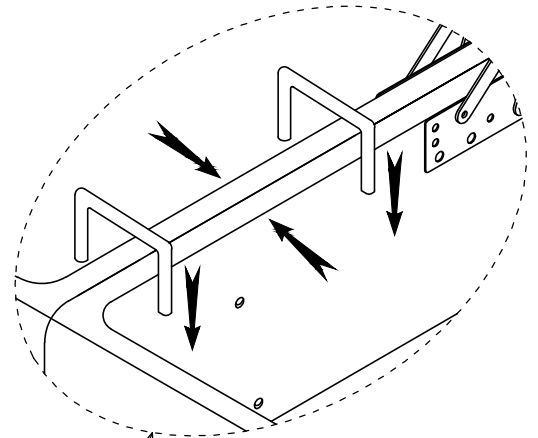
°Avoid exposing furniture directly to sunlight or heating and air conditioning outlets. Exposure to sunlight or heating and air conditioning outlets will fade/damage fabric.

°Wipe gently with a damp soft cloth to remove dust, dirt and any grime build up.

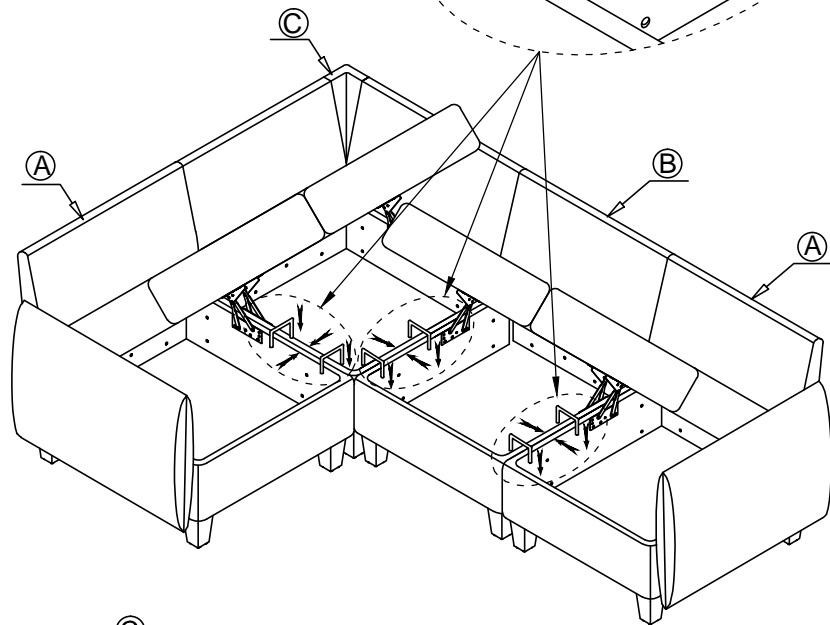
ASSEMBLY INSTRUCTION

ITEM NO: 9557BUE-4 OTTOMAN WITH STORAGE

NO.	PARTS LIST	QTY	DESCRIPTION
A		1	Chair With One Arm & Storage
B		1	Armless Chair With Storage
C		1	Corner Seat With Storage
D		1	Ottoman With Storage



STEP 4:



STEP 5:

