



Assembly Instruction



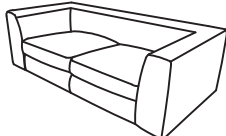




ITEM NO.: 9644SVE-2

LOVE SEAT WITH 2 PILLOWS

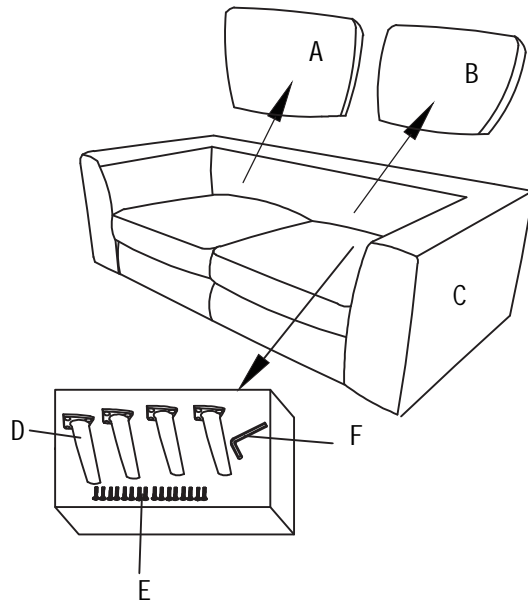


Note: Do not use power tools for assembly. Power tools increase the risk of over tightening which lead to spliting or cracking the wood.

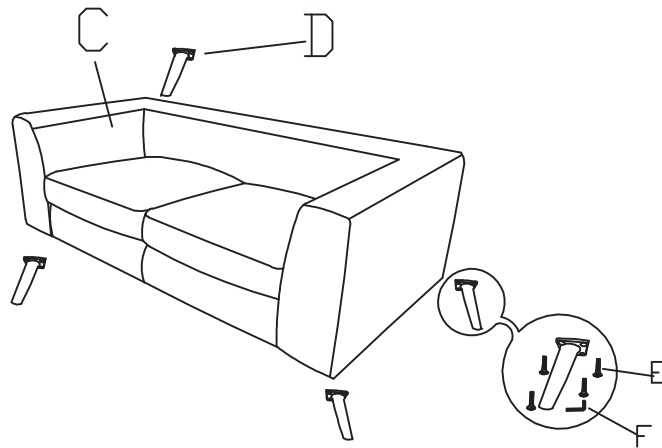
Component list

| No | Drawing | Qty | Description |
|----|---|-----|-----------------------------|
| A |  | 1 | LSF BACK CUSHION |
| B |  | 1 | RSF BACK CUSHION |
| C |  | 1 | SEAT |
| D |  | 4 | PLASTIC LEG 5"*4"*6" |
| E |  | 16 | BOLT 5/16 "-10*1/2-3/5"L |
| F |  | 1 | ALLEN KEY M6*65mm |
| G |  | 2 | PILLOW 18"*18"*6" |

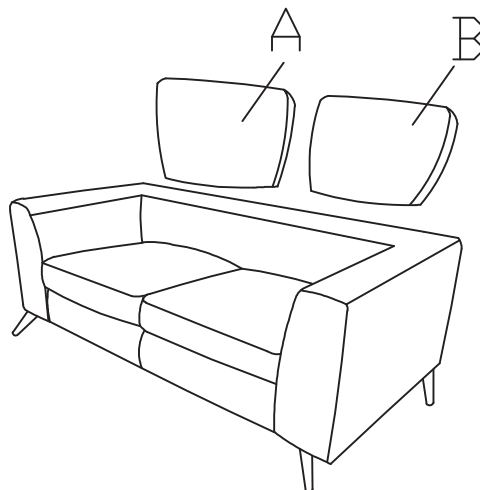
Step #1



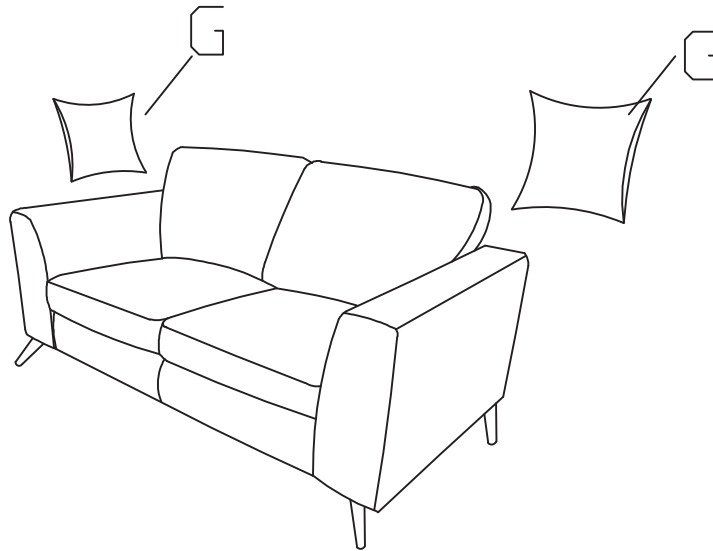
Step #2



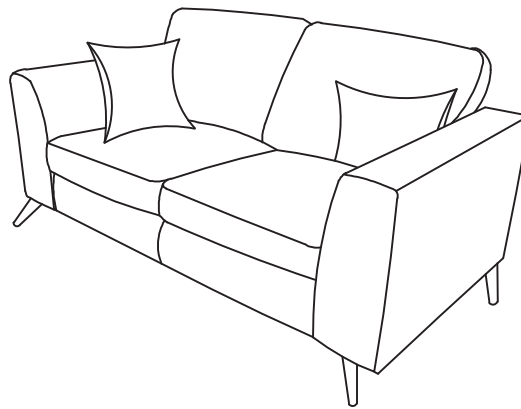
Step #3



Step #4



Step #5



Care Instruction for CHENILLE Furniture

In order to maintain the original appearance of your CHENILLE Furniture please follow below simple care procedures:

- Avoid exposing furniture directly to sunlight or heating and air conditioning outlets. Sunlight and or exposure to heating and air conditioning outlets will fade/damage CHENILLE.
- Vacuum or wipe with a soft cloth to remove dust.
- Hardware may loosen over time. Periodically check to make sure all connection are tight, Re-tighten if necessary.



For items use on wooden floor, hard surfaces or carpets, it is recommended to install protective pads under all legs and supports to avoid/prevent from damages/scratches and discoloration.