

ASSEMBLY INSTRUCTION

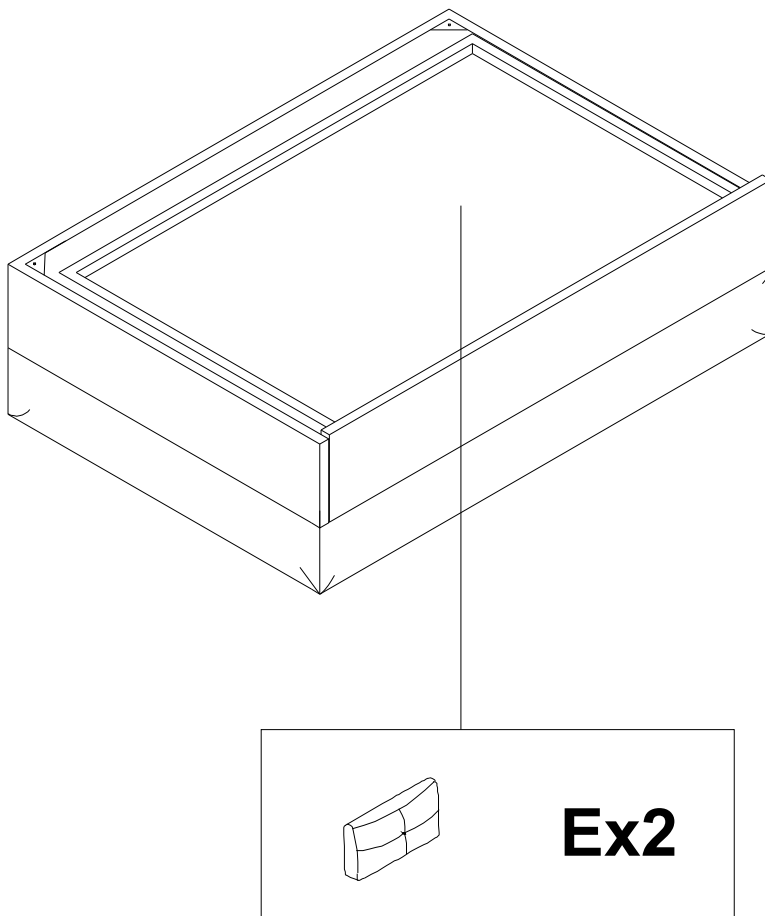
ITEM NO:9705BE/DB/GY-2A

Armless 2-Seater with Pull-out Bed

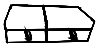






Legs and hardware are stored in the box, please take out for assembly





NOTE: Do not use power tools for assembly. Power tools increase the risk of over tightening which lead to splitting or cracking the wood.



2-SEATER PART LIST

No.	Description	Diagram	Quantity
A	PULL OUT SLEEPER SEAT		1
B	PLASTIC LEG(45mm*97mm) (packed in AB)		4
C	CASTOR (packed in AB)		4
D	BACKPANEL (packed in AB)		2
E	BACK CUSHION		2

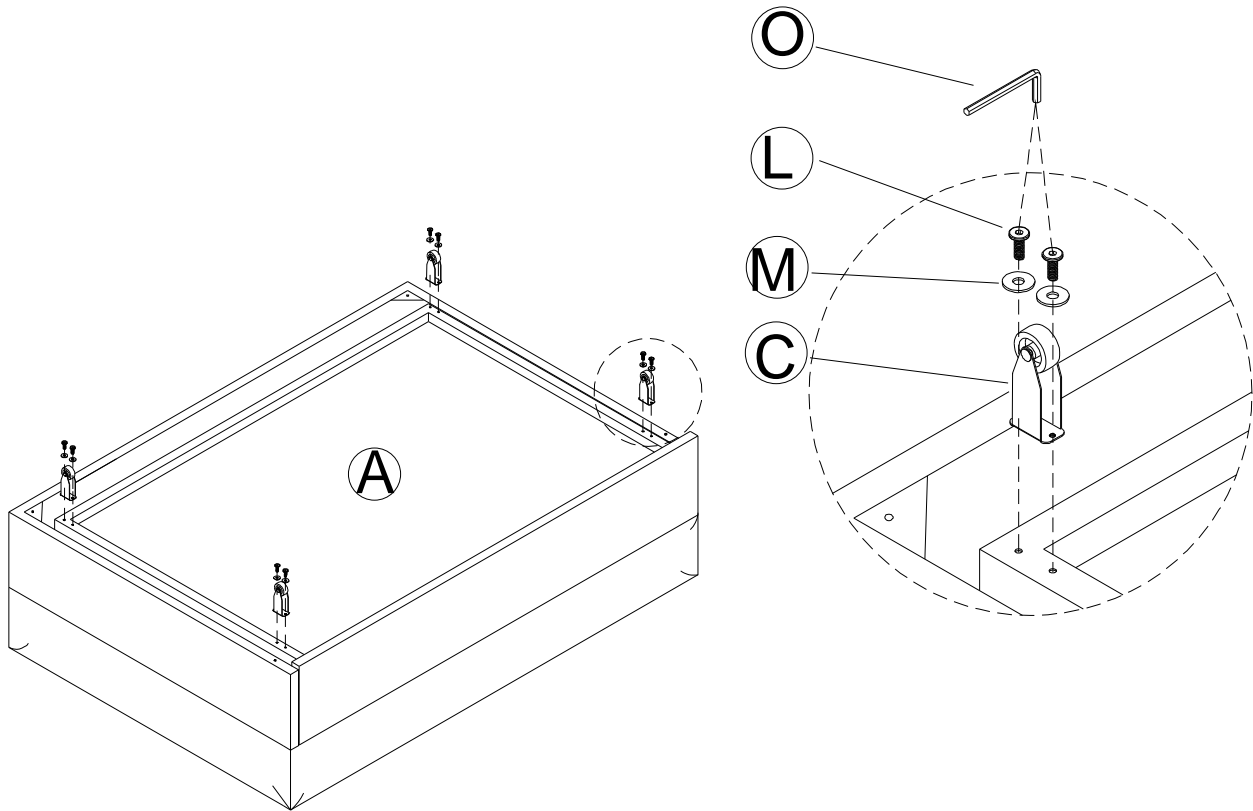
HARDWARE LIST :

No.	Description	Diagram	Quantity
L	Bolts (packed in AB)	 Ø1/4x20mm	8
M	Metal gasket (packed in AB)	 Ø16mm	8
N	Plastic Washer (packed in AB)	 Ø45mm	4
O	Allen Wrench (packed in AB)	 M4	1

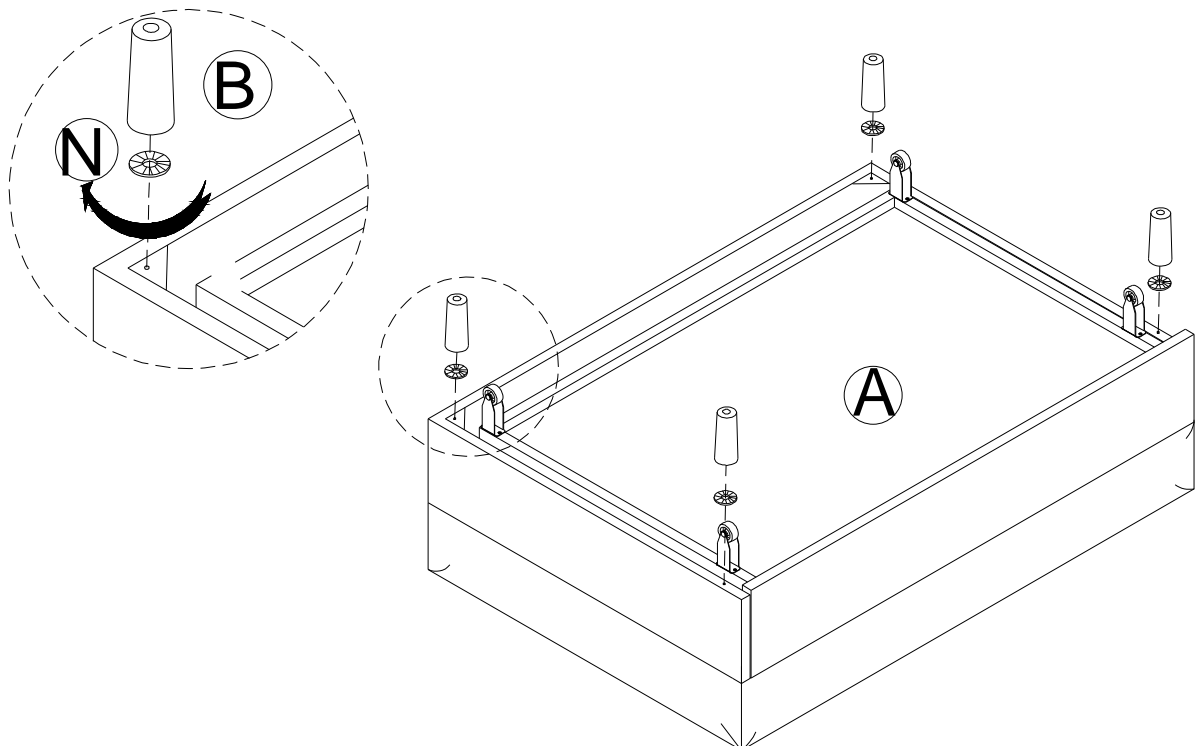
ASSEMBLY INSTRUCTION

ITEM NO:9705BE/DB/GY-2A

Step 1



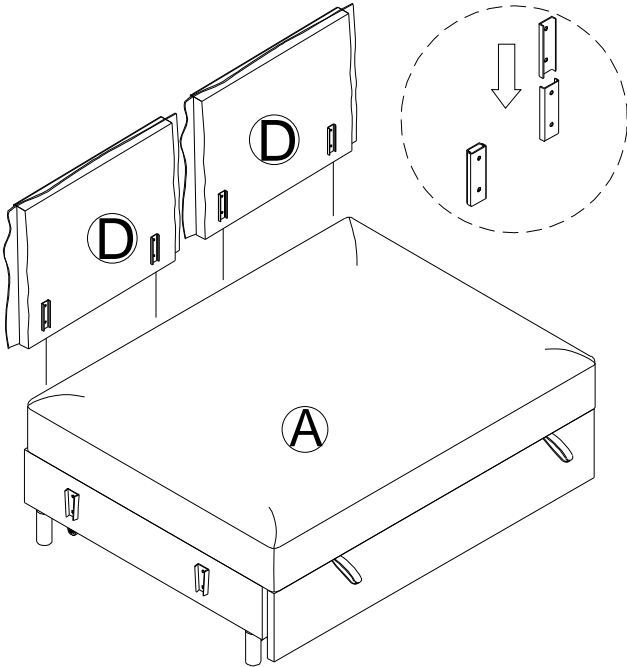
Step 2



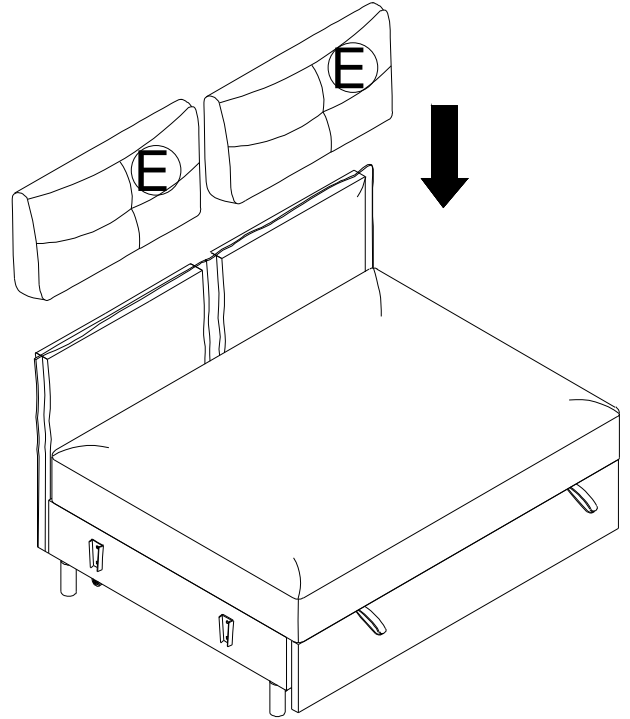
ASSEMBLY INSTRUCTION

ITEM NO:9705BE/DB/GY-2A

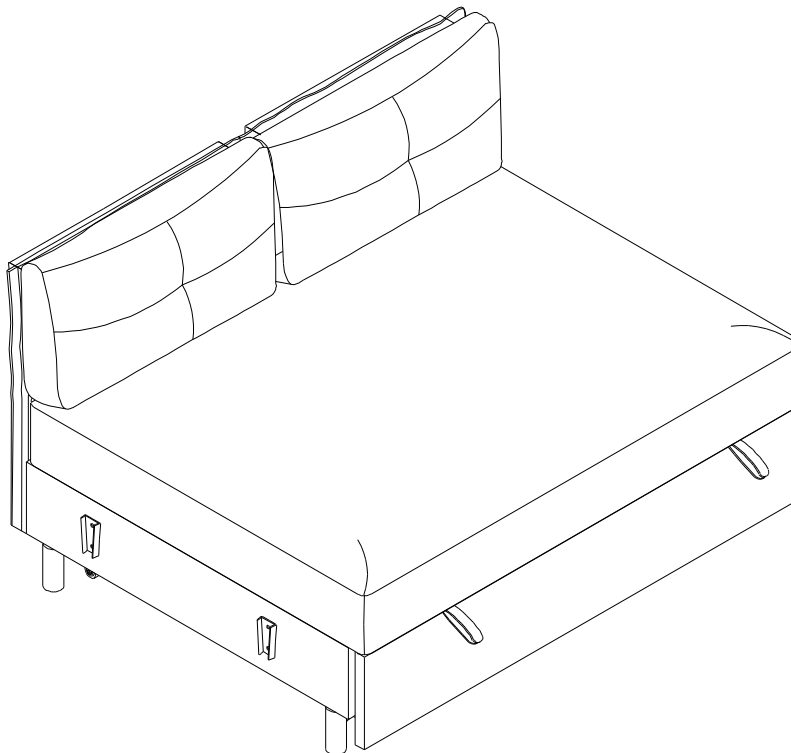
Step 3



Step 4



Step 5



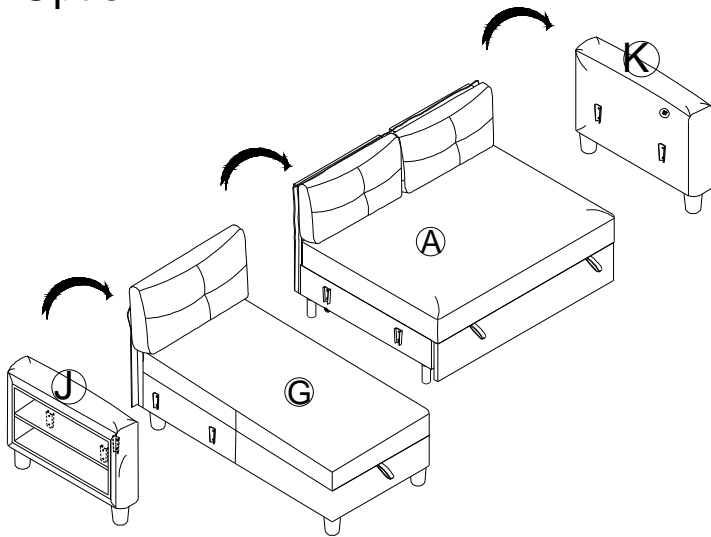
ASSEMBLY INSTRUCTION

ITEM NO:9705BE/DB/GY-2A

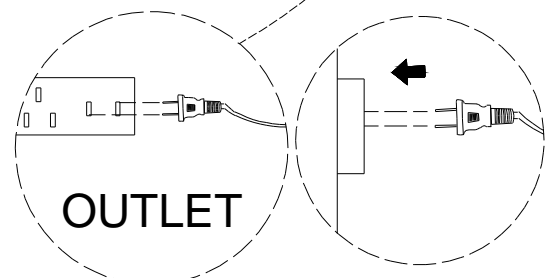
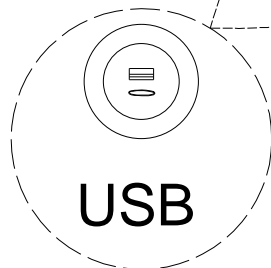
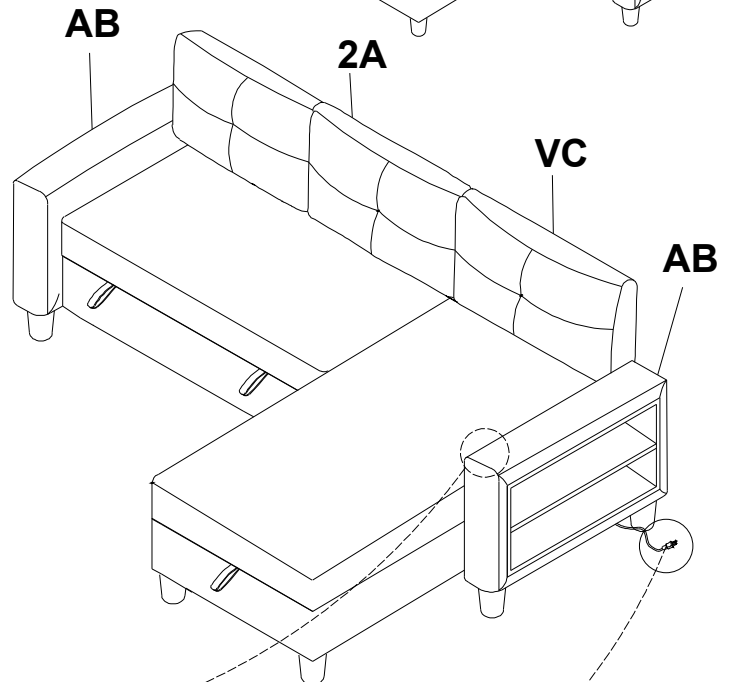
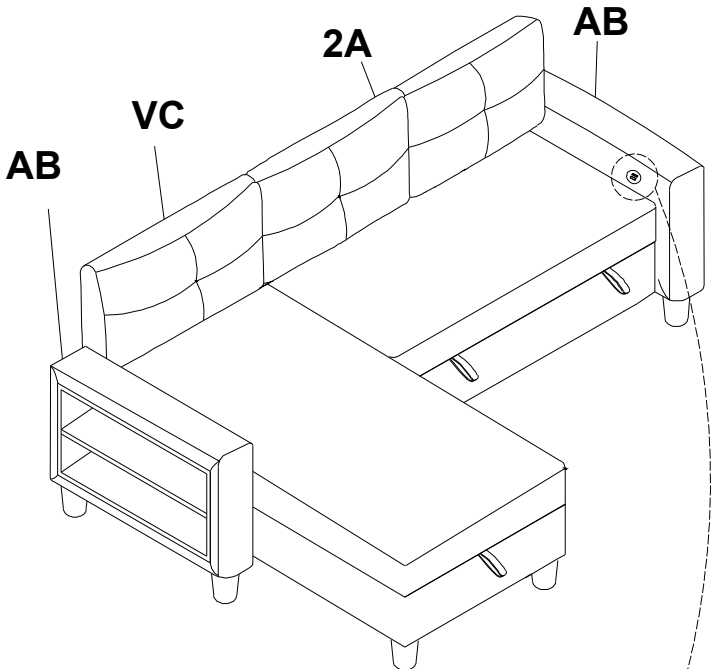
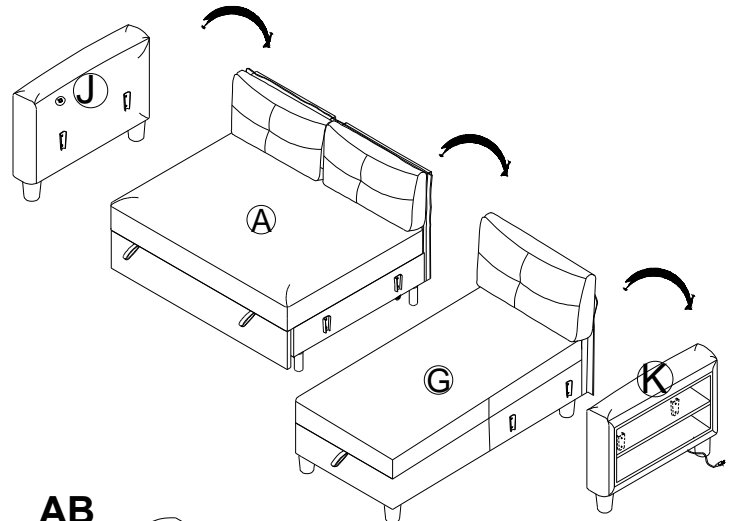
AB+2A+VC sectional set up

From this step, it is divided into two columns. The left and right columns correspond to Option A and Option B respectively. You can choose according to your needs.

Option A



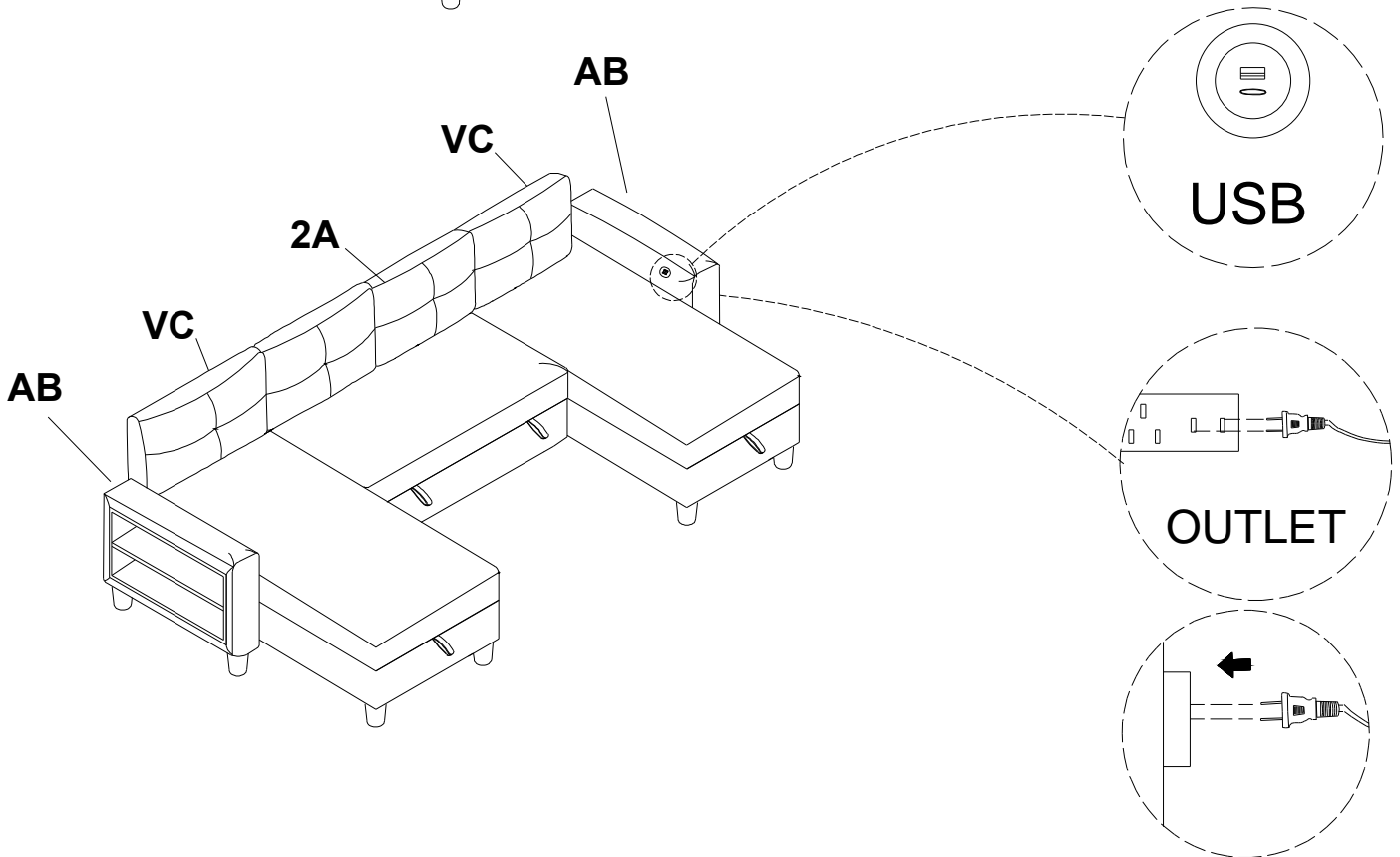
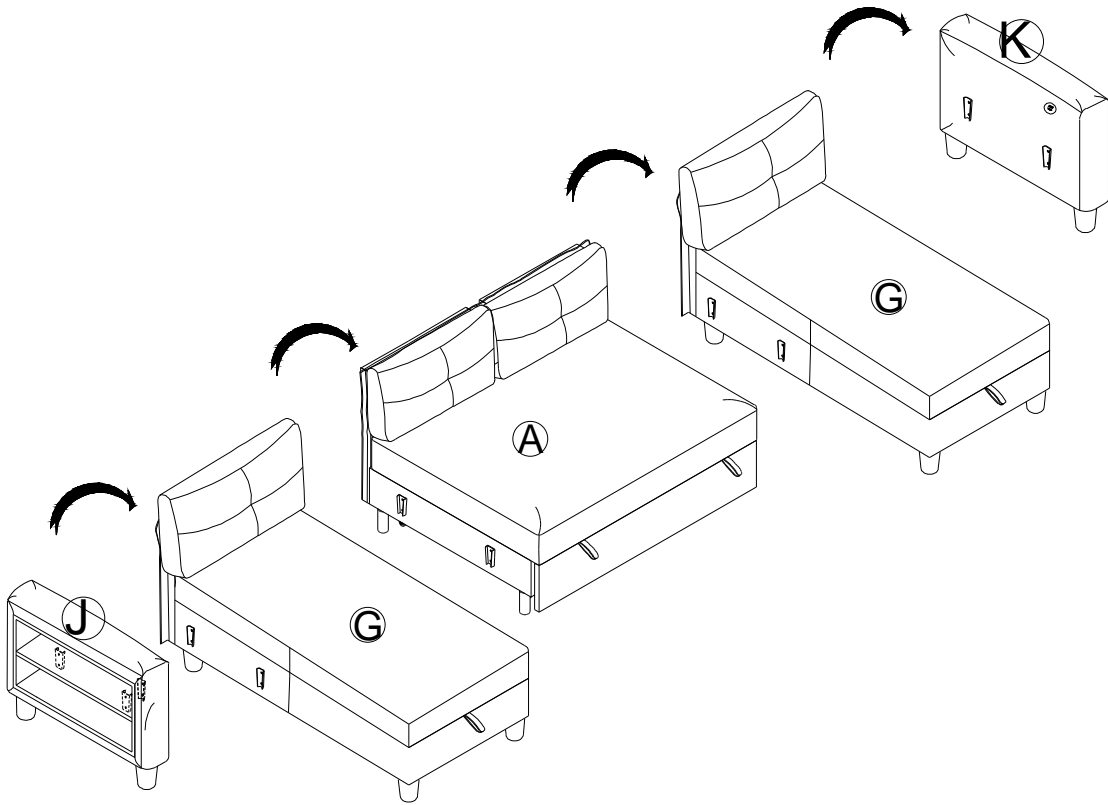
Option B



ASSEMBLY INSTRUCTION

ITEM NO:9705BE/DB/GY-2A

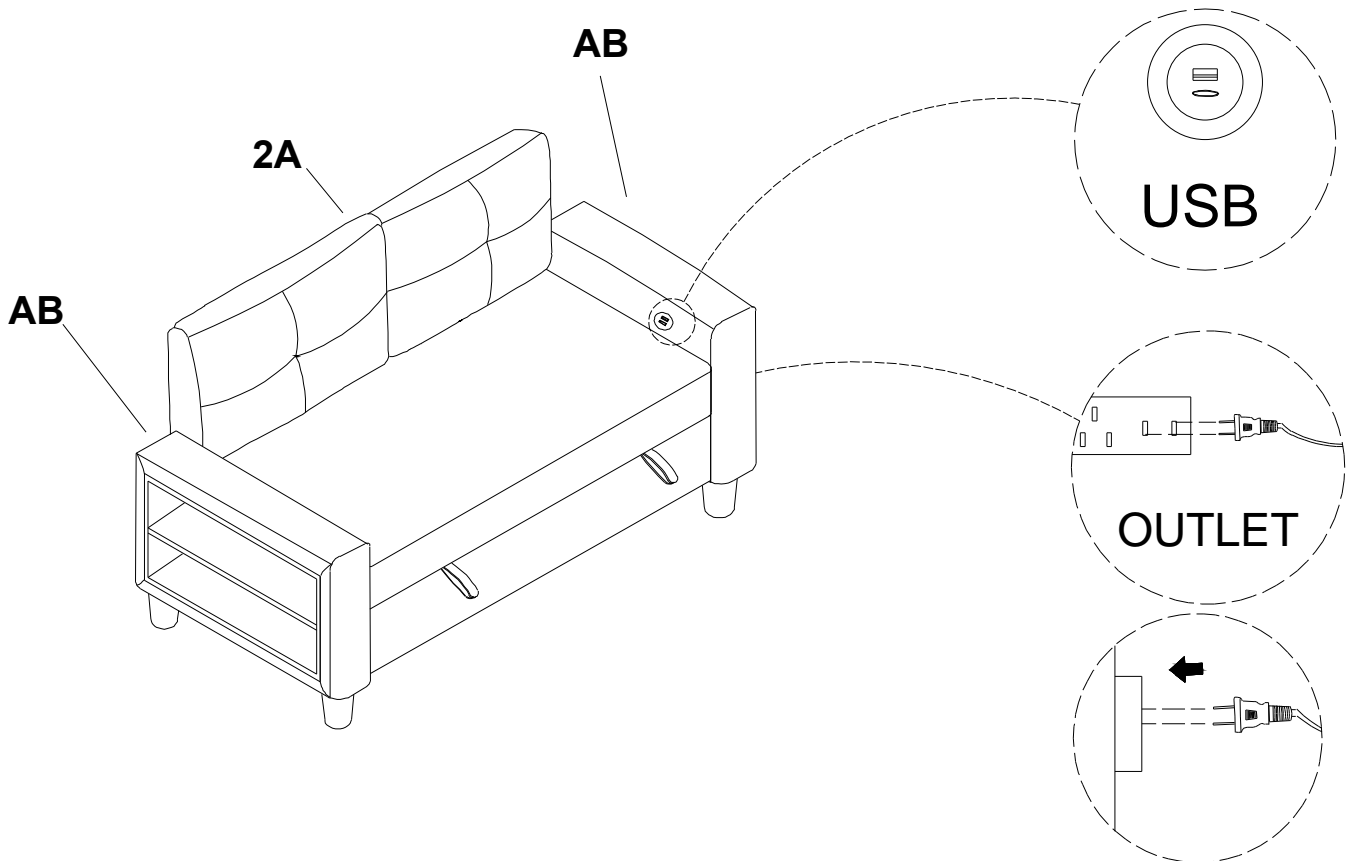
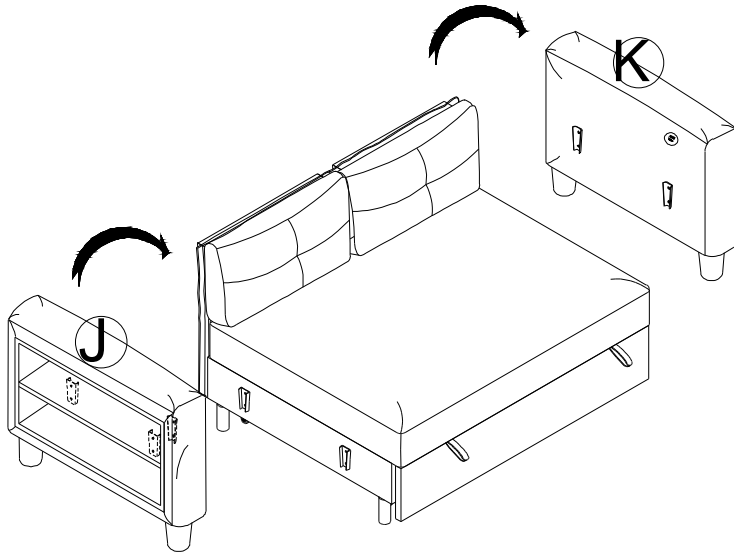
AB+2A+VC+VC sectional set up



ASSEMBLY INSTRUCTION

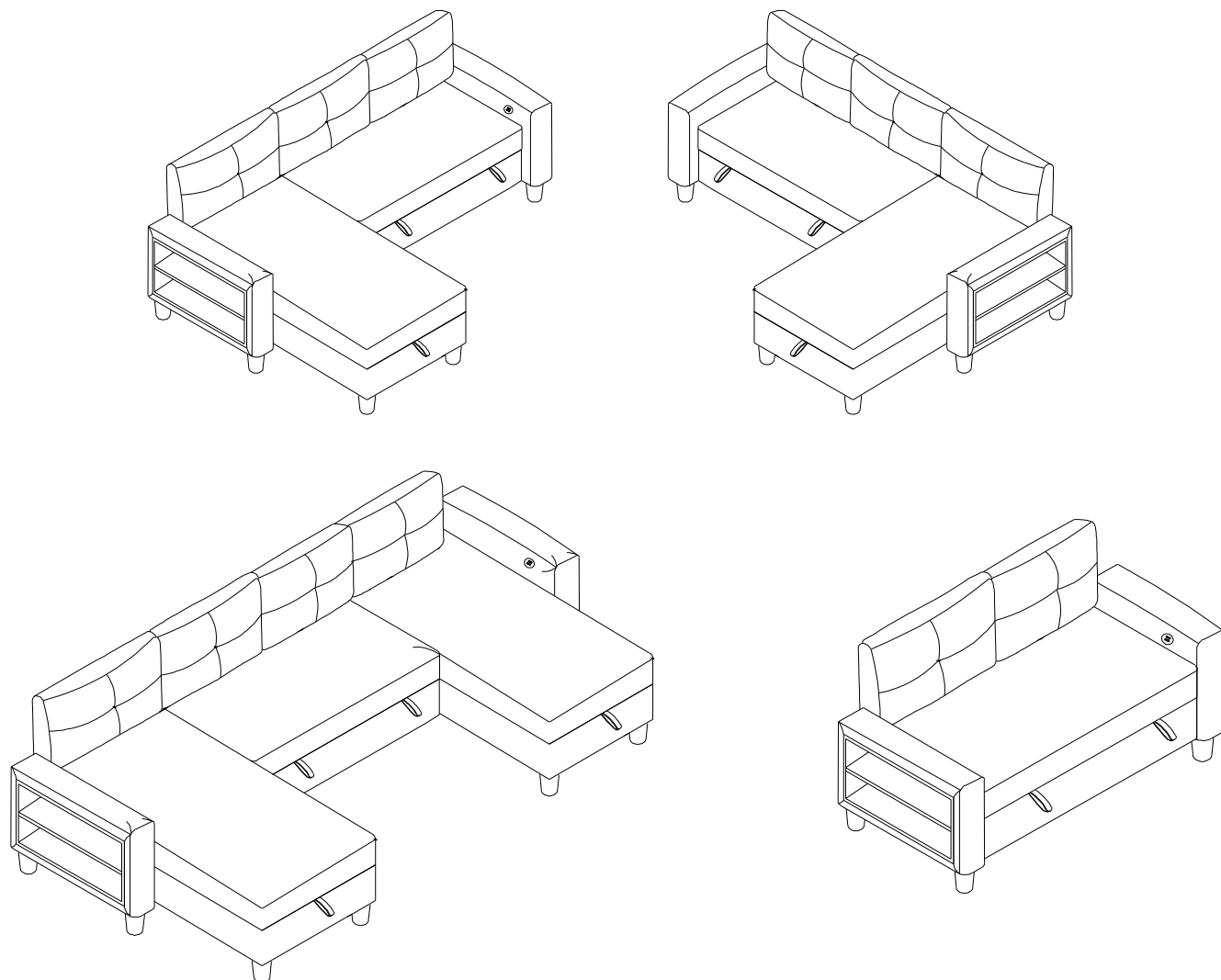
ITEM NO:9705BE/DB/GY-2A

AB+2A



ASSEMBLY INSTRUCTION

ITEM NO:9705BE/DB/GY-2A



Care Instruction for Boucle Furniture:

In order to maintain the original appearance of your Boucle furniture, please follow below simple care procedures:

Avoid exposing furniture directly to sunlight or heating and air conditioning outlets. Sunlight and or exposure to heating and air conditioning outlets will fade/damage Boucle.

Vacuum or wipe with a soft cloth to remove dust.

Hardware may loosen over time. Periodically check to make sure all connection are tight, Re-tighten if necessary.

For item use on wooden floor, hard surfaces or carpets, it is recommended to install protective pads under all legs and supports to avoid/prevent from damages/scratches and discoloration.