

ASSEMBLY INSTRUCTION

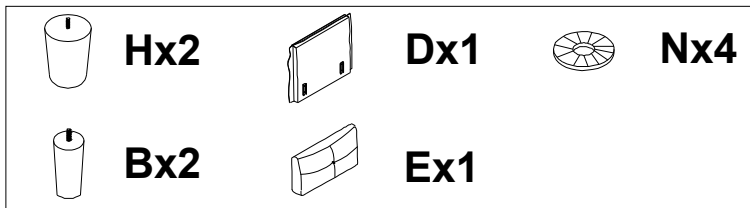
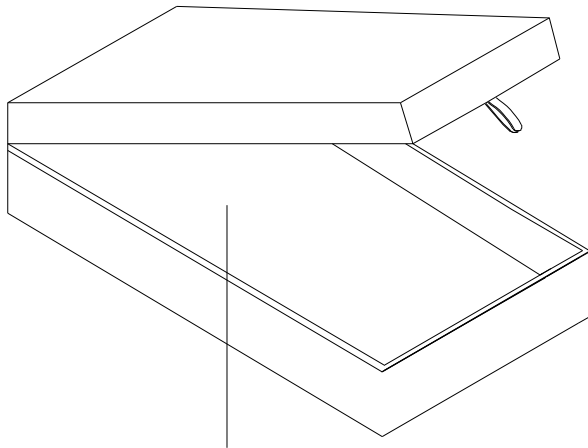
ITEM NO:9705BE/DB/GY-VC

Armless Reversible Chaise with Hidden Storage





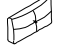


Parts are stored in chaise storage, please take out for assembly.


NOTE: Do not use power tools for assembly. Power tools increase the risk of over tightening which lead to splitting or cracking the wood.



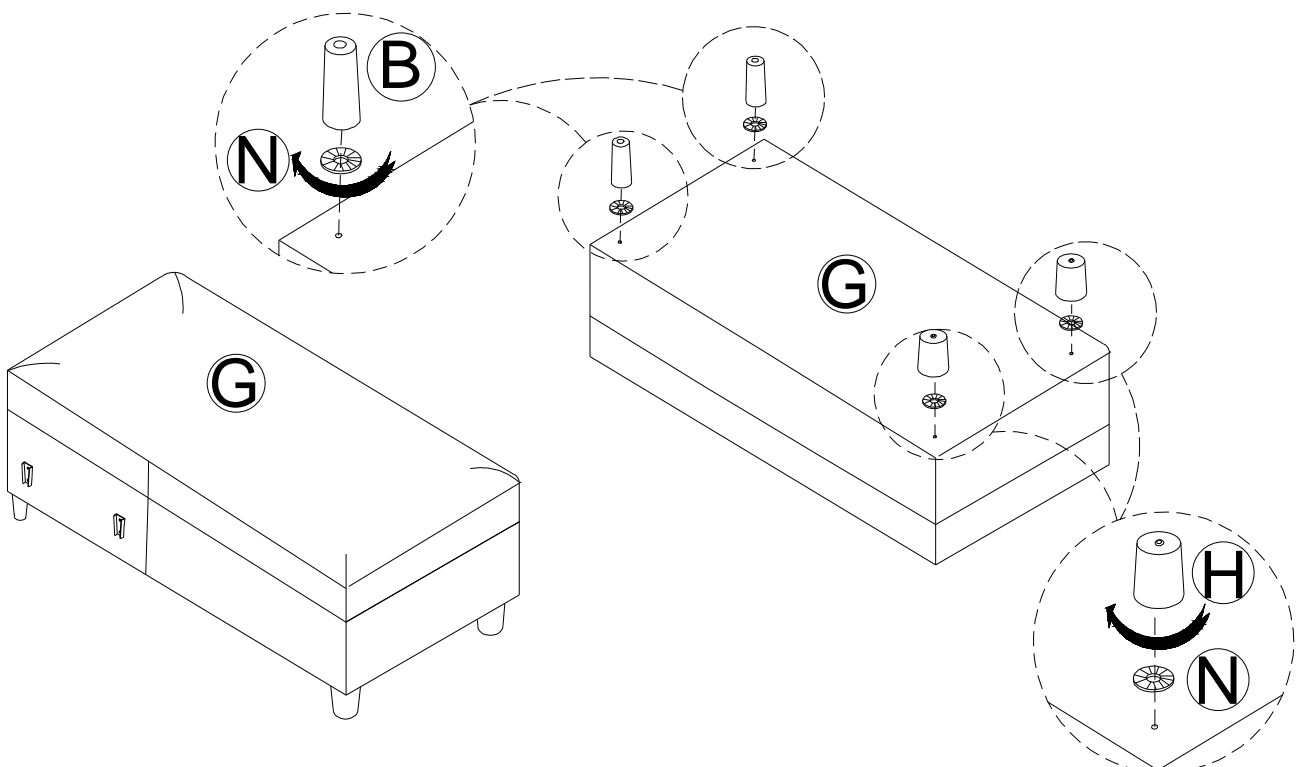
CHAISE PART LIST

No.	Description	Diagram	Quantity
G	CHAISE SEAT		1
D	BACK PANEL		1
H	PLASTIC LEG (80mm*97mm)		2
B	PLASTIC LEG (45mm*97mm)		2
E	BACK CUSHION		1

HARDWARE LIST :

No.	Description	Diagram	Quantity
N	Plastic Washer	 Ø45mm	4

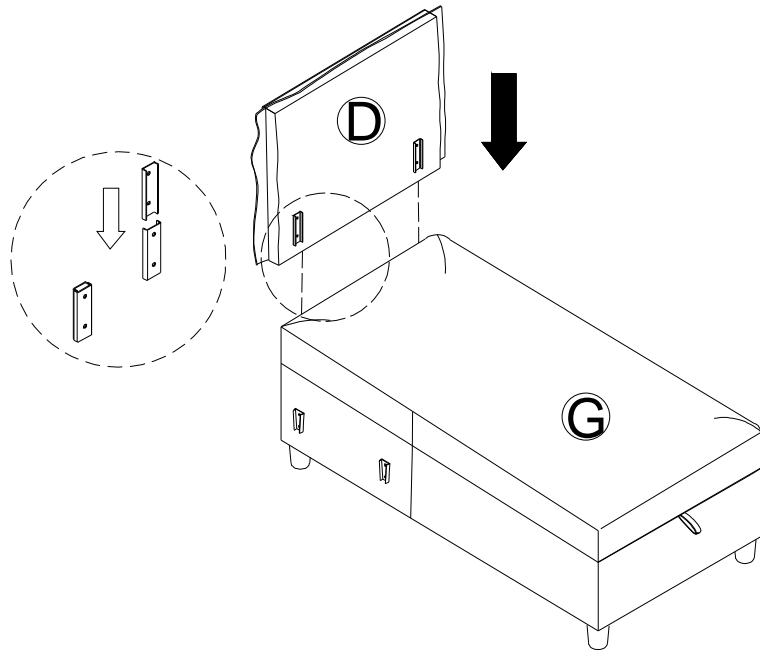
Step 1



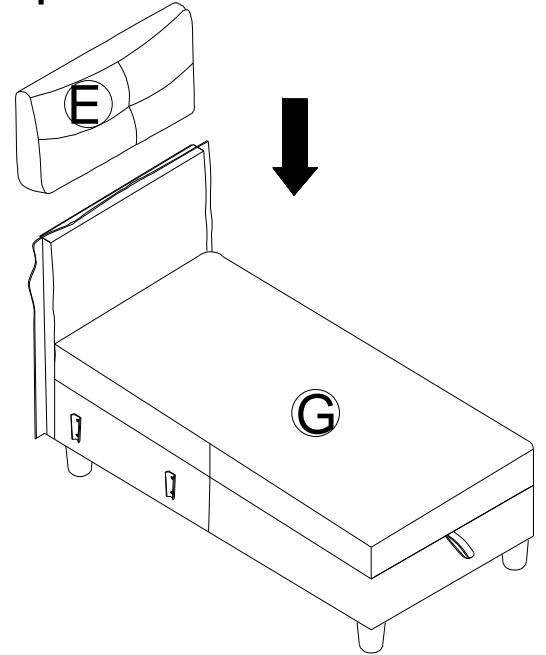
ASSEMBLY INSTRUCTION

ITEM NO:9705BE/DB/GY-VC

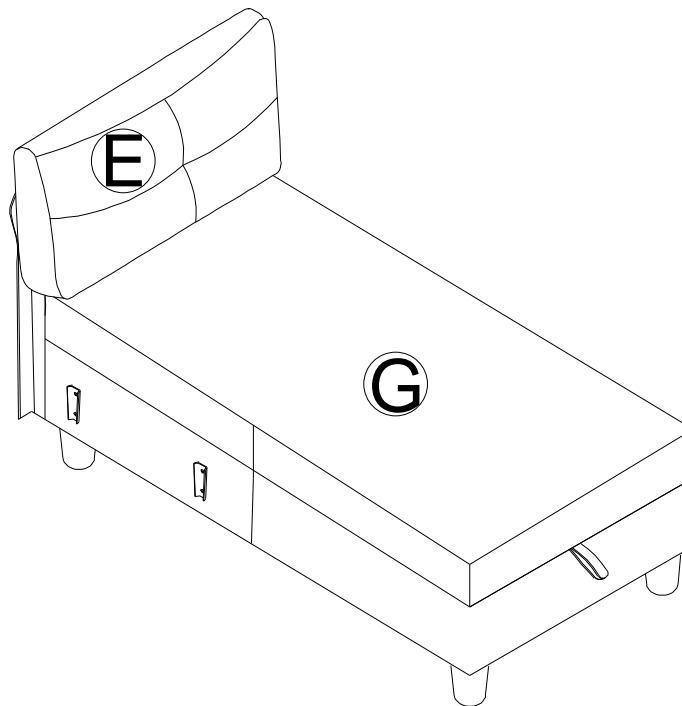
Step 2



Step 3



Step 4



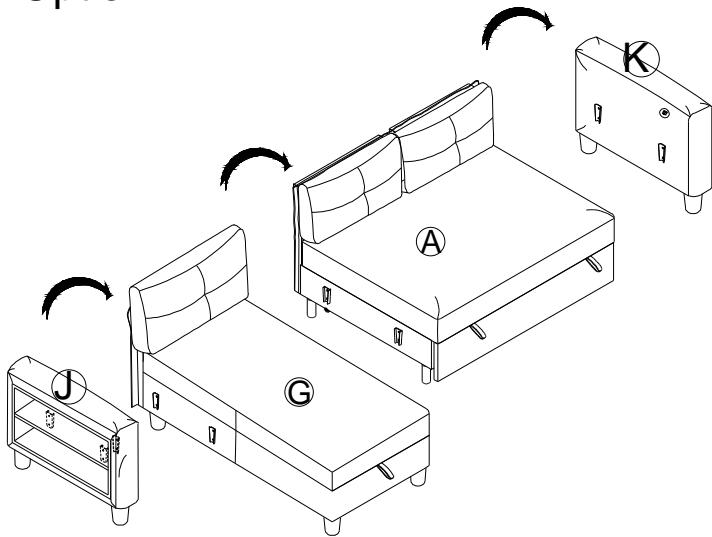
ASSEMBLY INSTRUCTION

ITEM NO:9705BE/DB/GY-VC

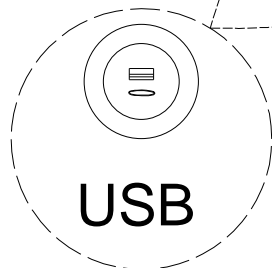
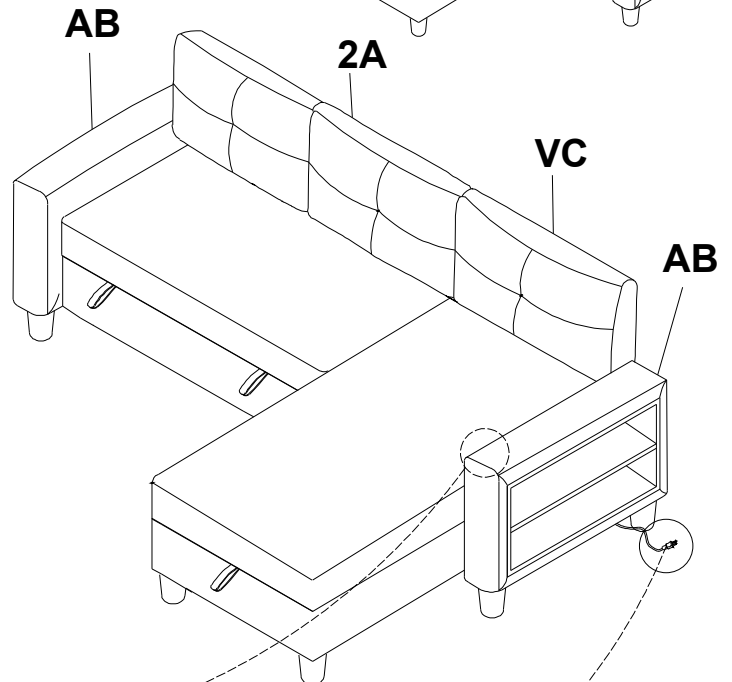
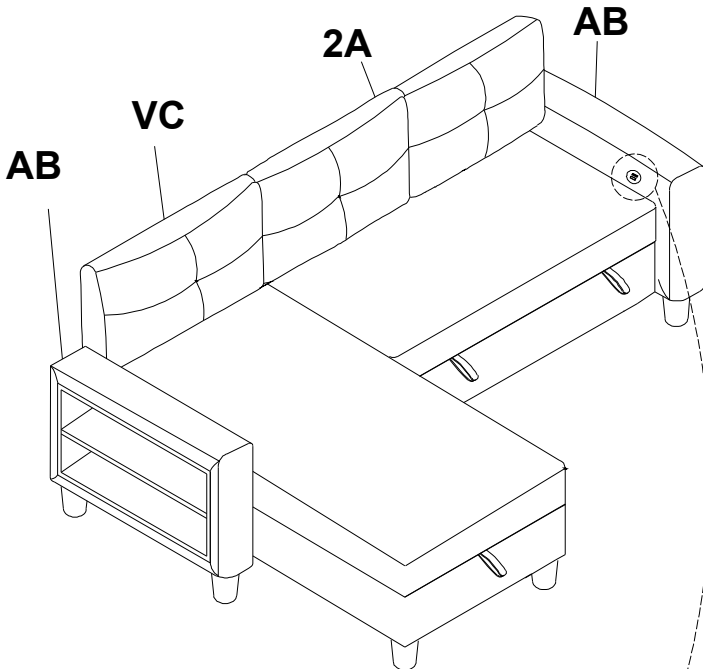
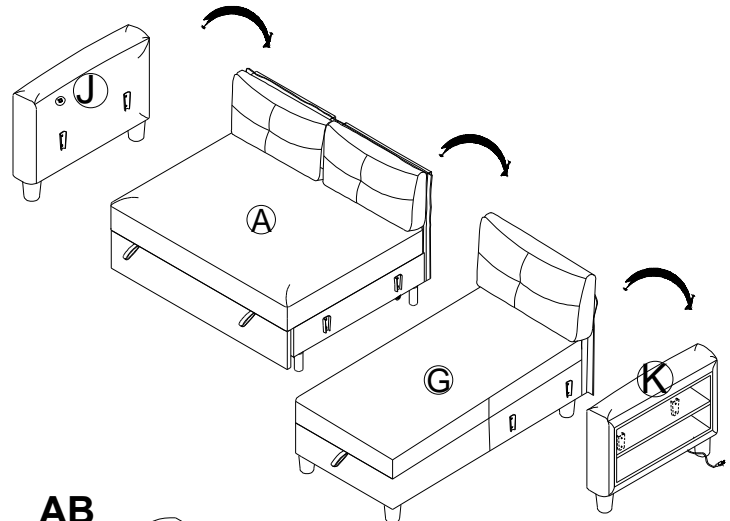
AB+2A+VC sectional set up

From this step, it is divided into two columns. The left and right columns correspond to Option A and Option B respectively. You can choose according to your needs.

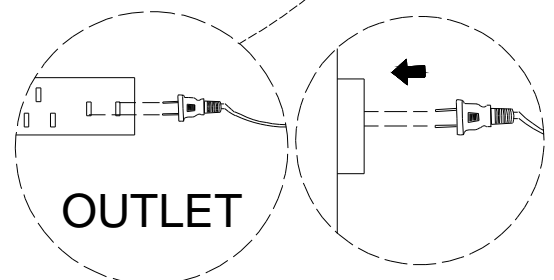
Option A



Option B



USB

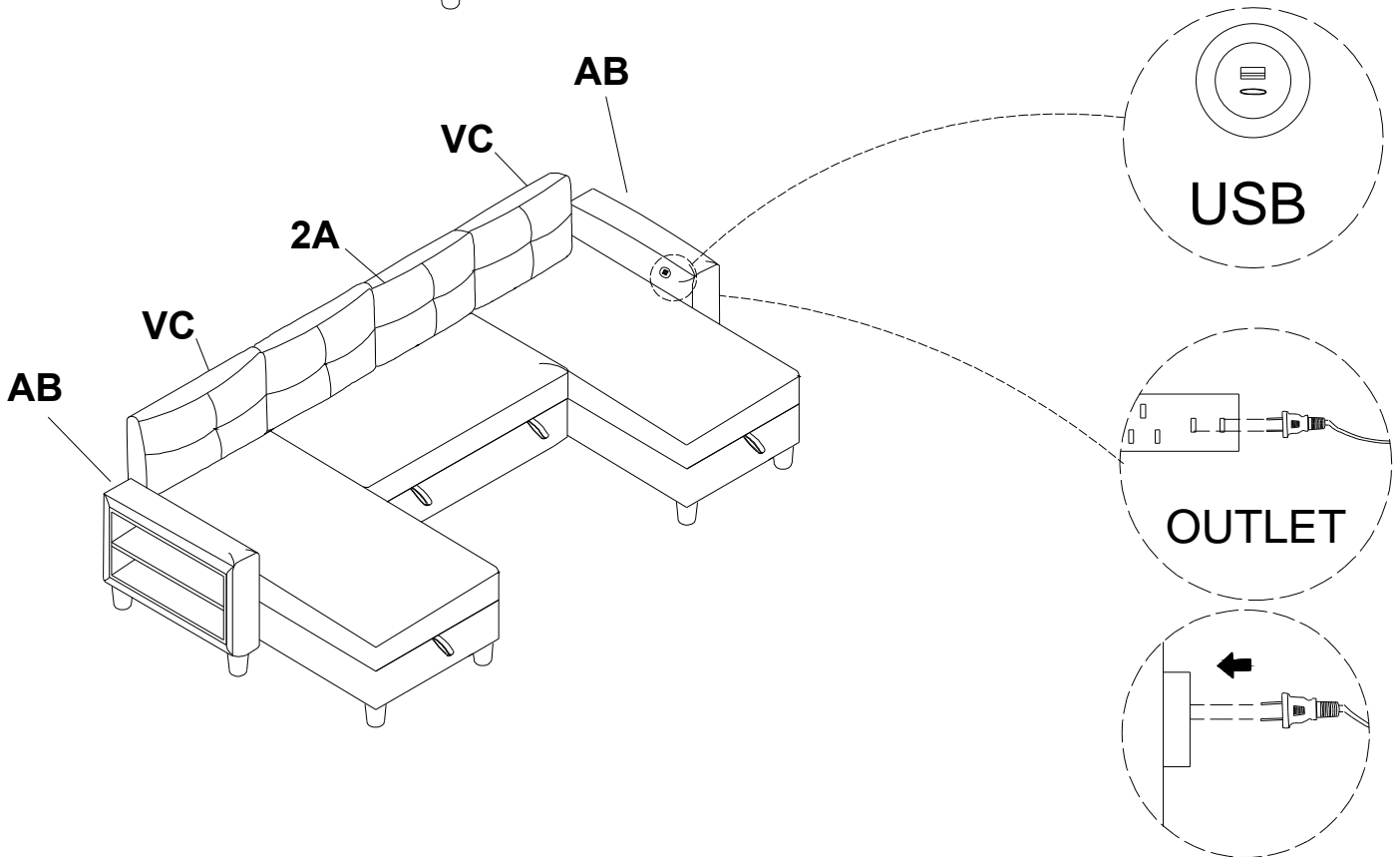
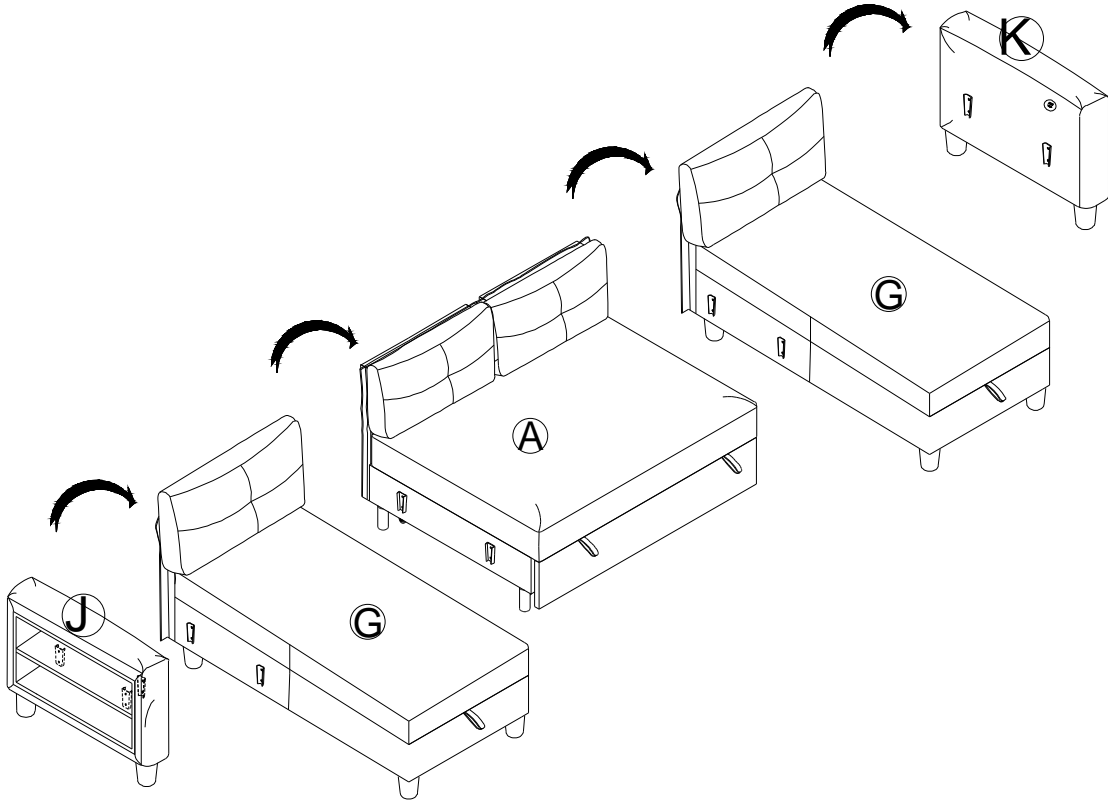


OUTLET

ASSEMBLY INSTRUCTION

ITEM NO:9705BE/DB/GY-VC

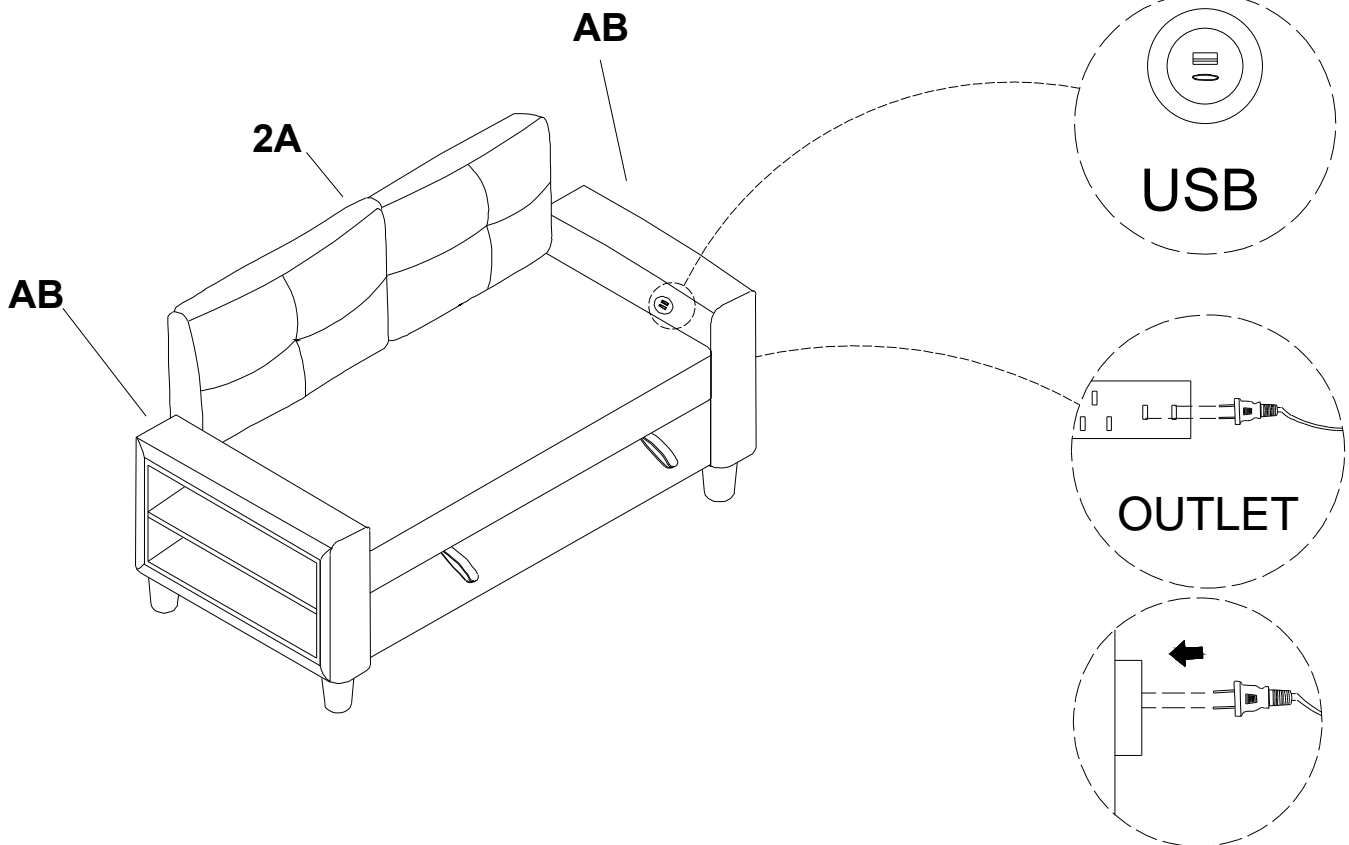
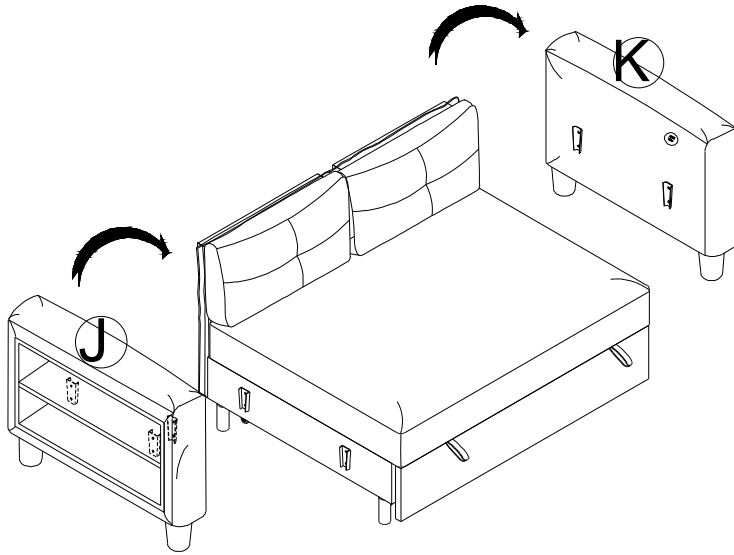
AB+2A+VC+VC sectional set up



ASSEMBLY INSTRUCTION

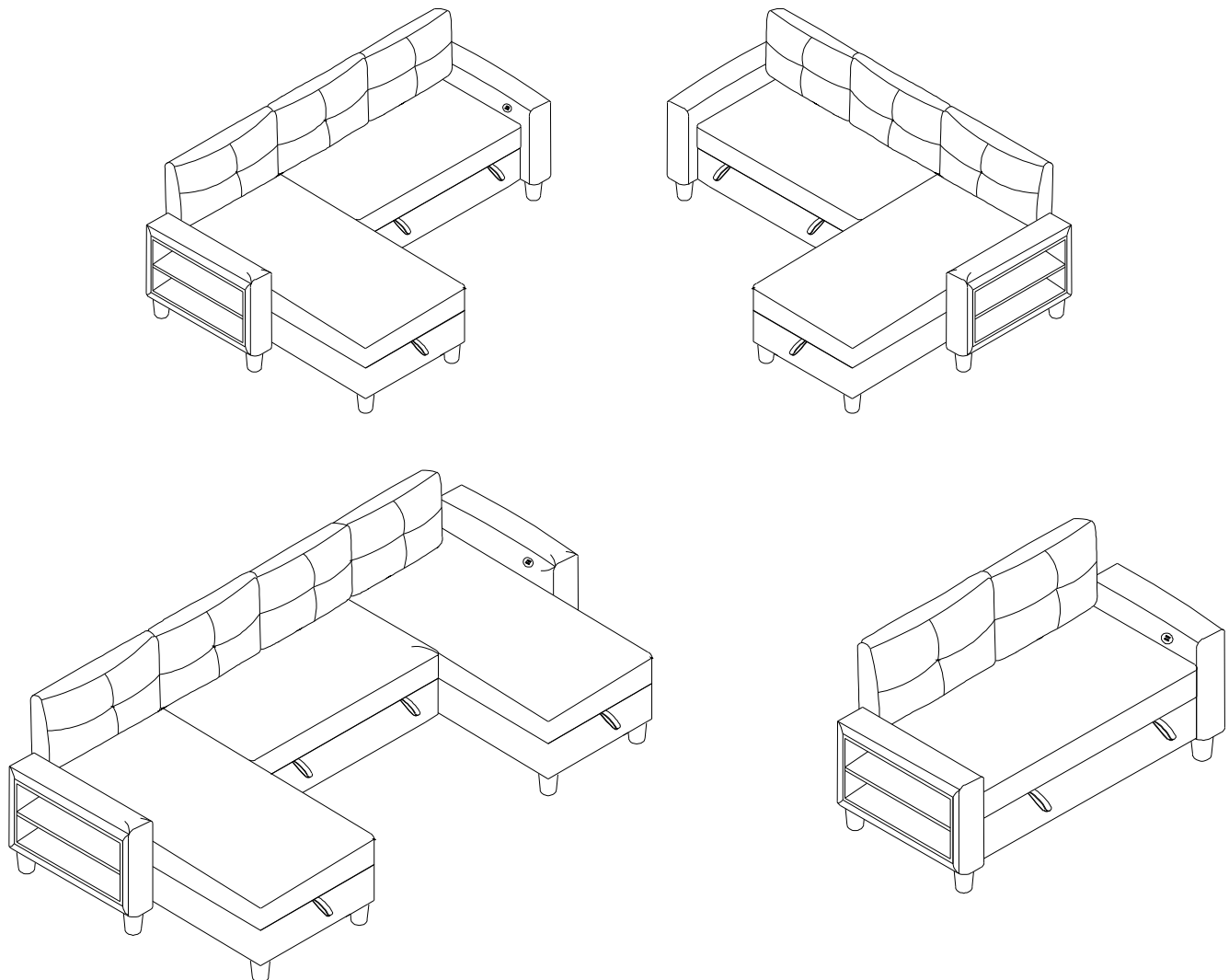
ITEM NO:9705BE/DB/GY-VC

AB+2A



ASSEMBLY INSTRUCTION

ITEM NO:9705BE/DB/GY-VC



Care Instruction for Boucle Furniture:

In order to maintain the original appearance of your Boucle furniture, please follow below simple care procedures:

Avoid exposing furniture directly to sunlight or heating and air conditioning outlets. Sunlight and or exposure to heating and air conditioning outlets will fade/damage Boucle.

Vacuum or wipe with a soft cloth to remove dust.

Hardware may loosen over time. Periodically check to make sure all connection are tight, Re-tighten if necessary.

For item use on wooden floor, hard surfaces or carpets, it is recommended to install protective pads under all legs and supports to avoid/prevent from damages/scratches and discoloration.