



ASSEMBLY INSTRUCTION

ITEM NO: 9746DG/BE/GY-1 CHAIR

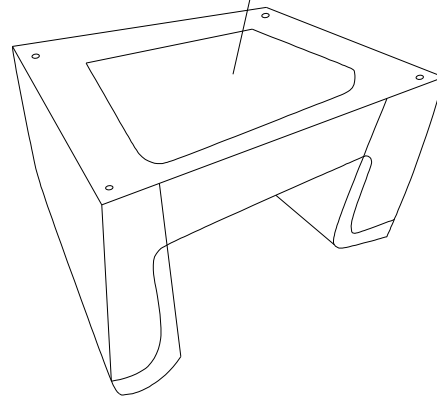
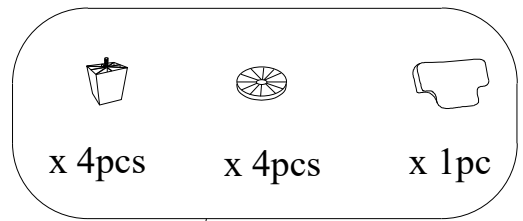
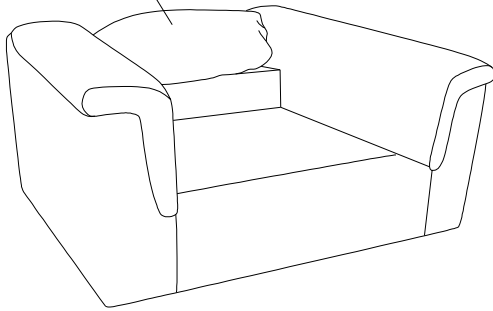
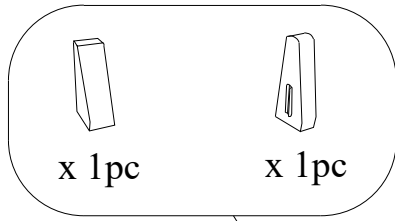


Note: Do not use power tools for assembly. Power tools increase the risk of over tightening which leads to splitting or cracking the wood.

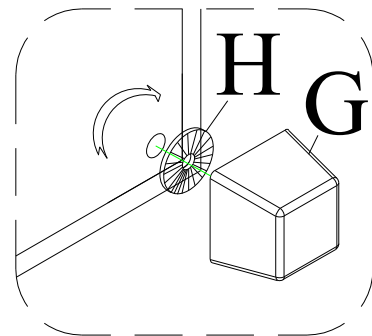
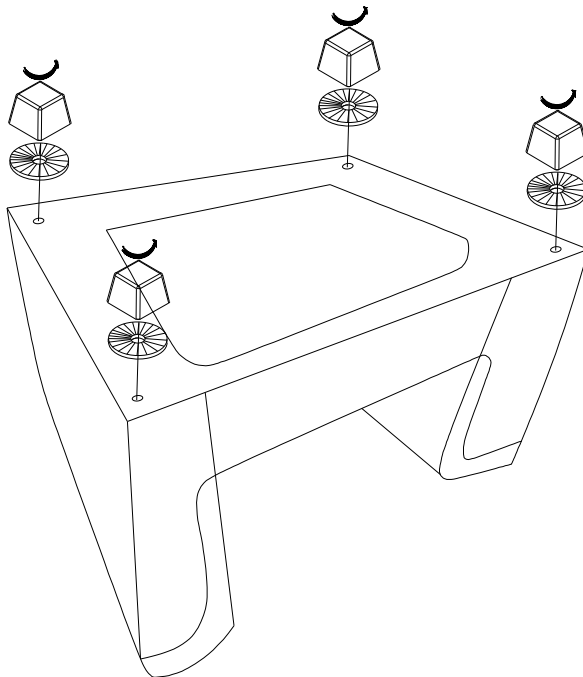
Component list

NO.	DRAWING	DESCRIPTION	QTY
A		CHAIR BASE	1 PC
B		BACK REST	1 PC
C		LSF EAR	1 PC
D		RSF EAR	1 PC
E		SEAT CUSHION	1 PC
F		BACK CUSHION	1 PC
G		PLASTIC LEG (9.5cm X 9.5cm X H8cm)	4 PCS
H		WASHER (Ø5cm)	4 PCS

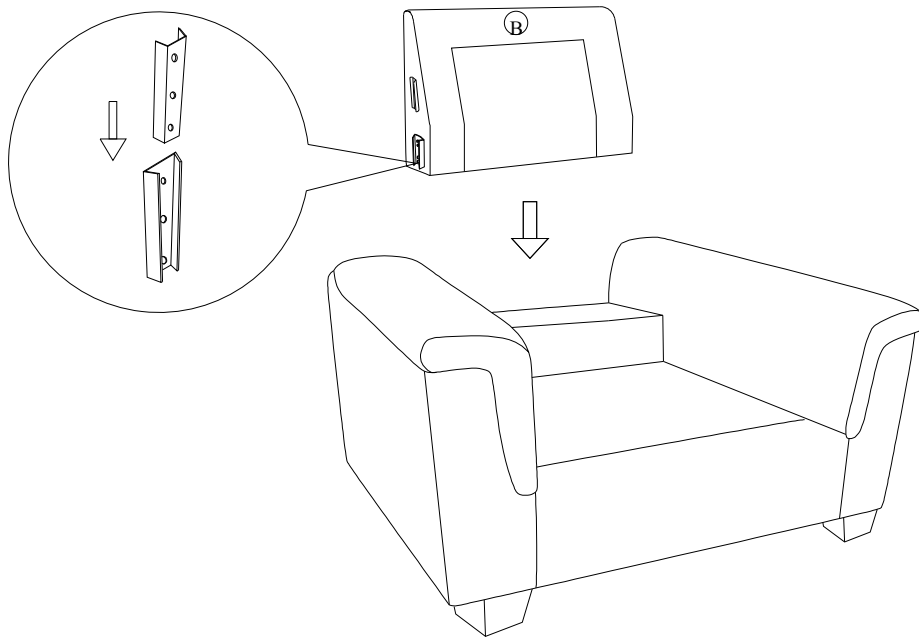
STEP 1



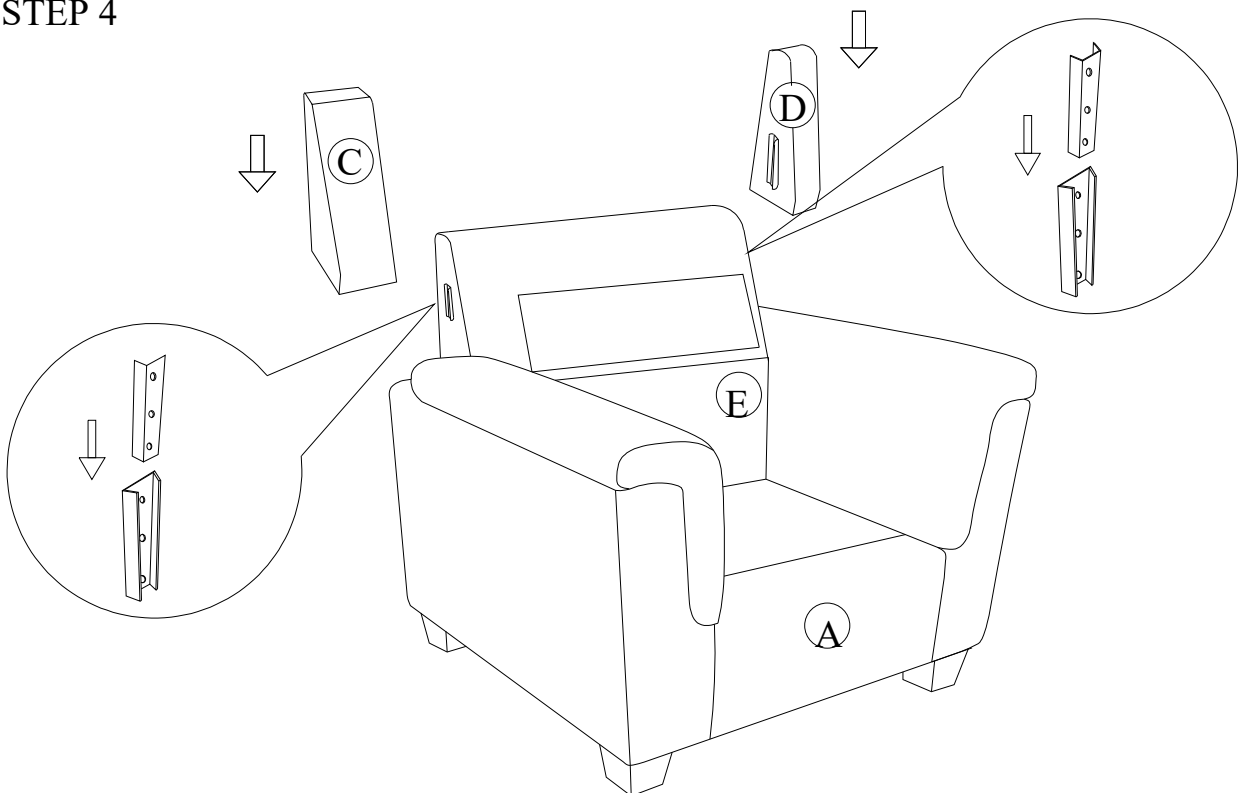
STEP 2



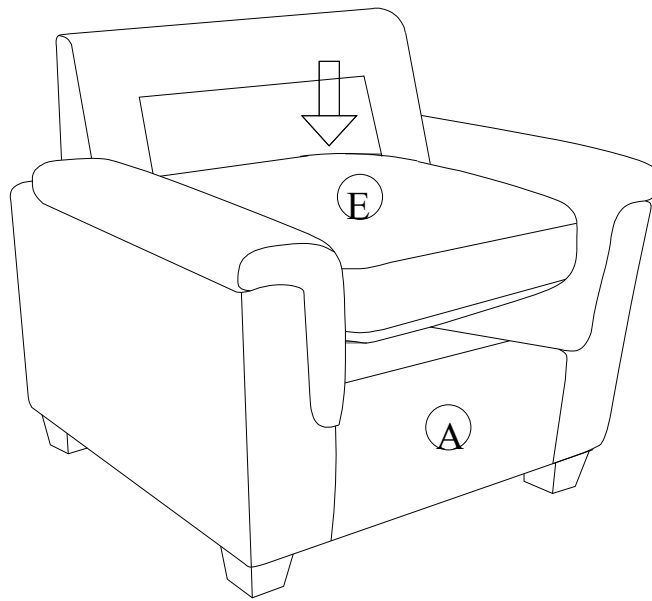
STEP 3



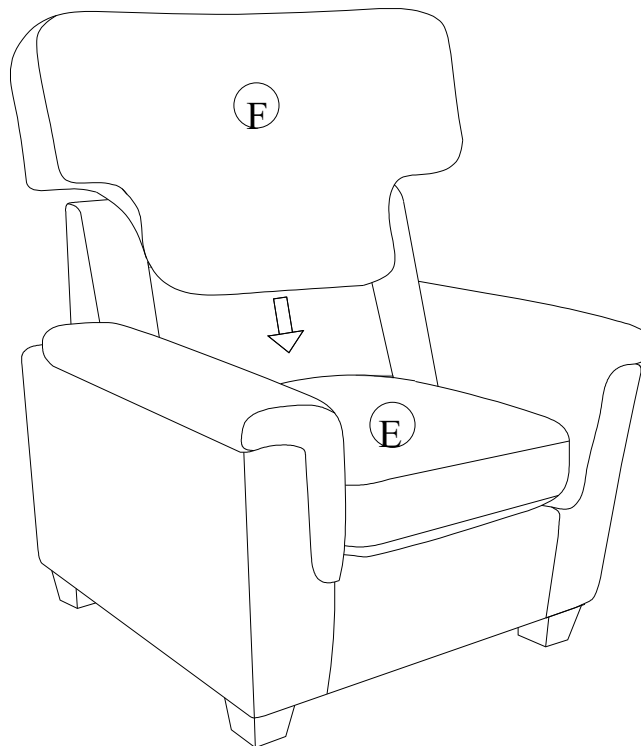
STEP 4



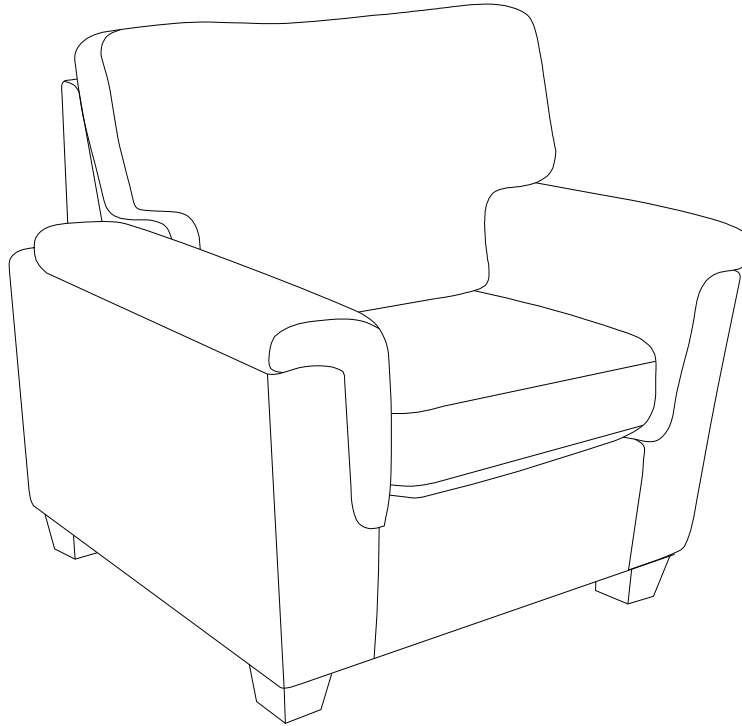
STEP 5



STEP 6



COMPLETED



Care Instruction for Chenille Furniture:
In order to maintain the original appearance of your chenille,
please follow the simple care procedures below:

- Avoid exposing furniture directly to sunlight or heating and air conditioning outlets. Sunlight and/or exposure to heating and air conditioning outlets will fade/damage chenille.
- Vacuum or wipe with a soft cloth to remove dust.
- Hardware may loosen over time. Periodically check to make sure all connections are tight. Re-tighten if necessary.



For items used on wooden floor,hard surfaces or carpets,it is recommended to install protective pads under all legs and supports to prevent damages,scratches,and discoloration.