



ASSEMBLY INSTRUCTION

ITEM NO: 9746DG/BE/GY-3

SOFA (WITH 2 PILLOWS)

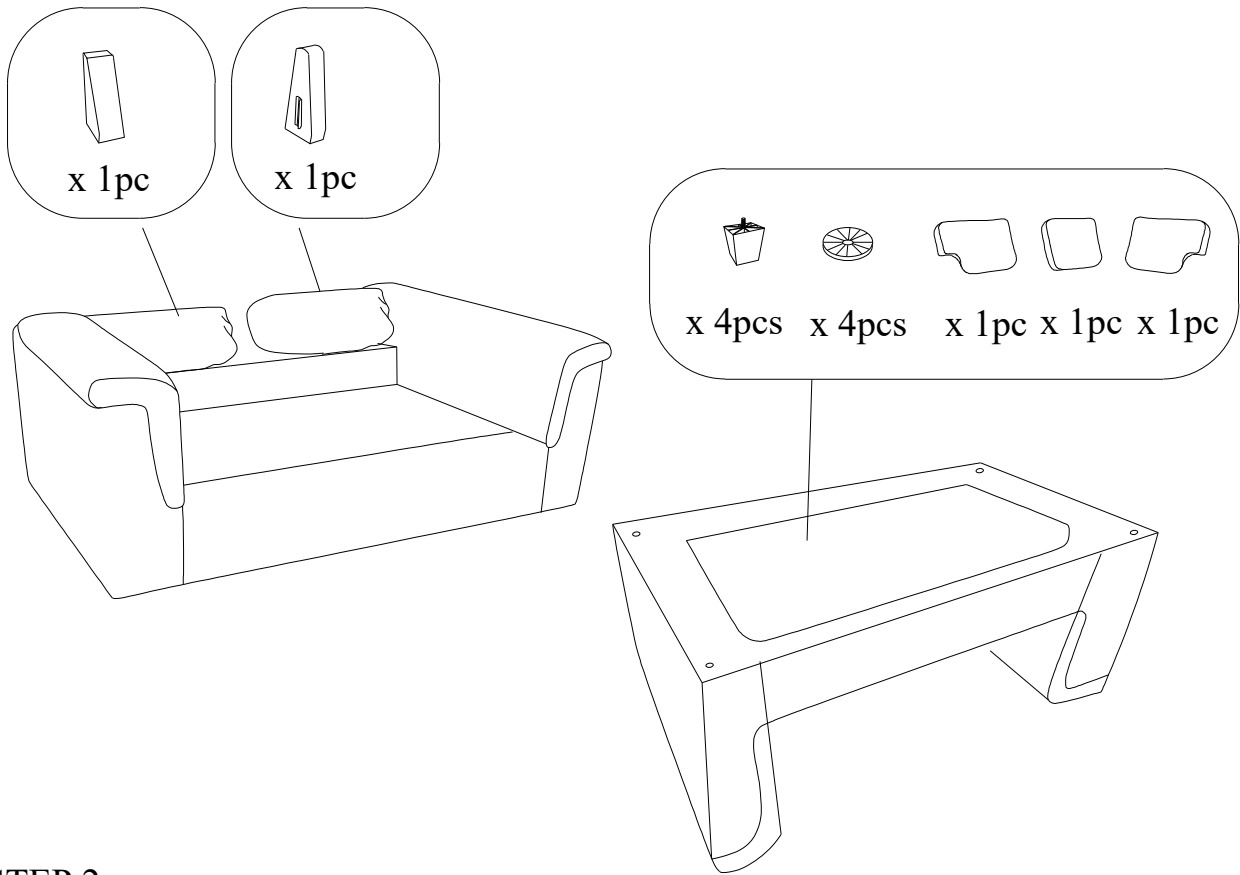


Note: Do not use power tools for assembly. Power tools increase the risk of over tightening which leads to splitting or cracking the wood.

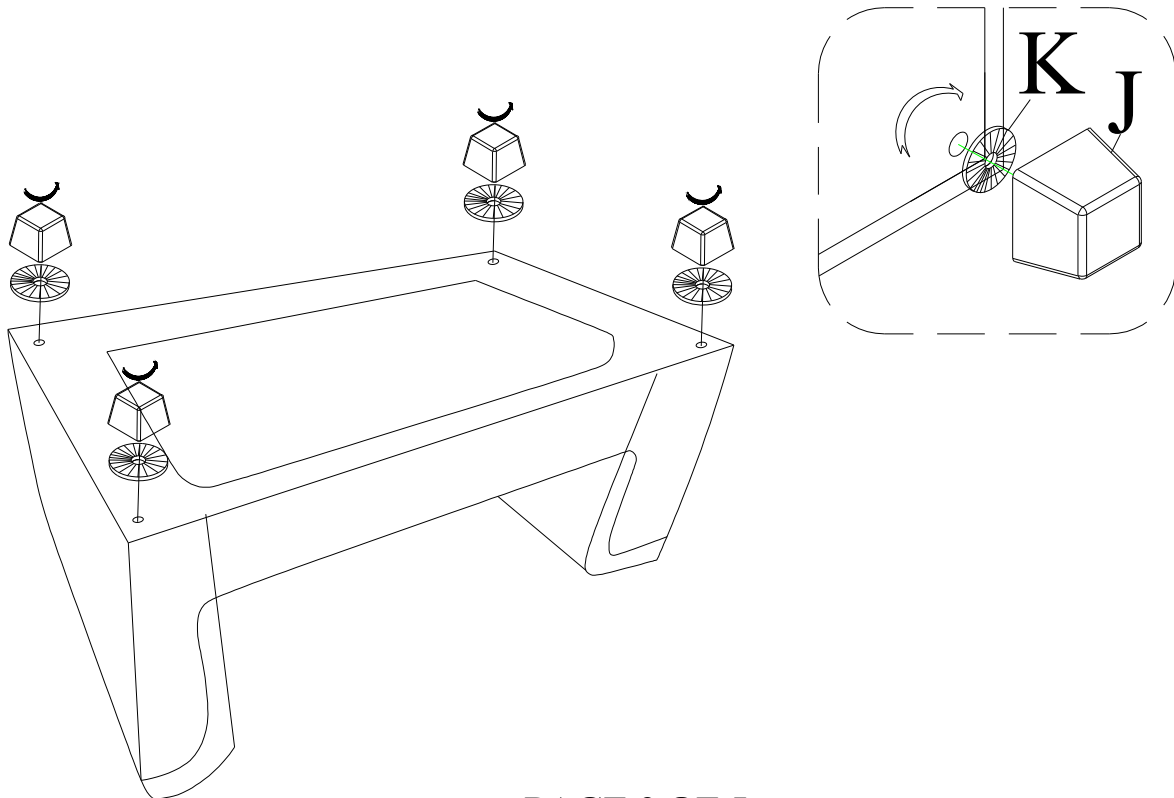
Component list

| NO. | DRAWING | DESCRIPTION | QTY |
|-----|---------|-----------------------------------|-------|
| A | | SOFA BASE | 1 PC |
| B | | BACK REST | 1 PC |
| C | | LSF EAR | 1 PC |
| D | | RSF EAR | 1 PC |
| E | | SEAT CUSHION | 3 PCS |
| F | | LSF BACK CUSHION | 1 PC |
| G | | MIDDLE BACK CUSHION | 1 PC |
| H | | RSF BACK CUSHION | 1 PC |
| I | | PILLOWS (19"x19") | 2 PCS |
| J | | PLASTIC LEG (9.5cmx9.5cmxH8cm) | 5 PCS |
| K | | WASHER (Ø5CM) | 5 PCS |

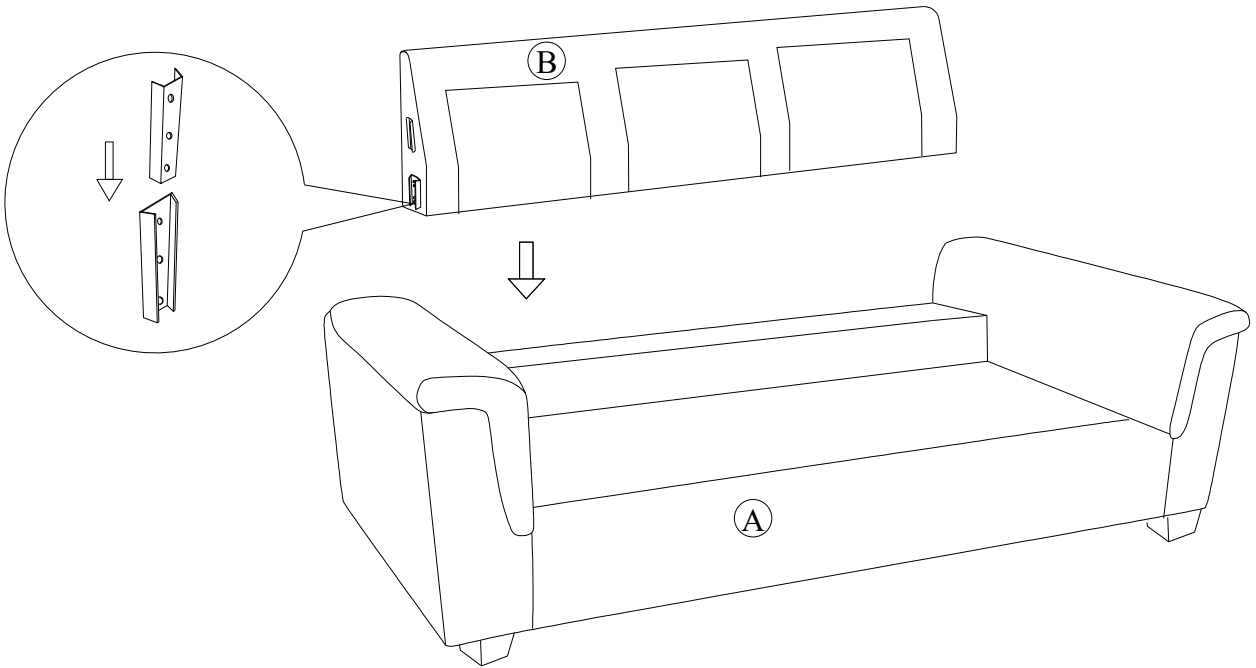
STEP 1



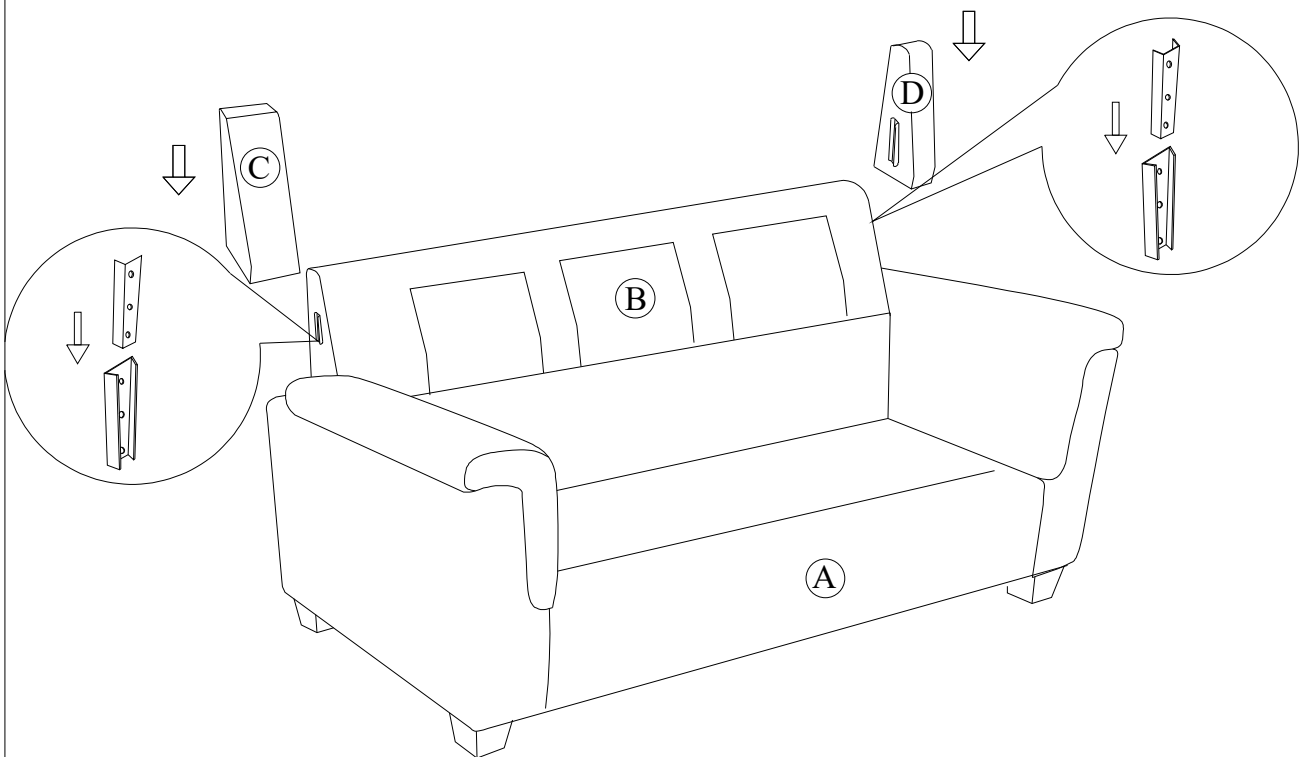
STEP 2



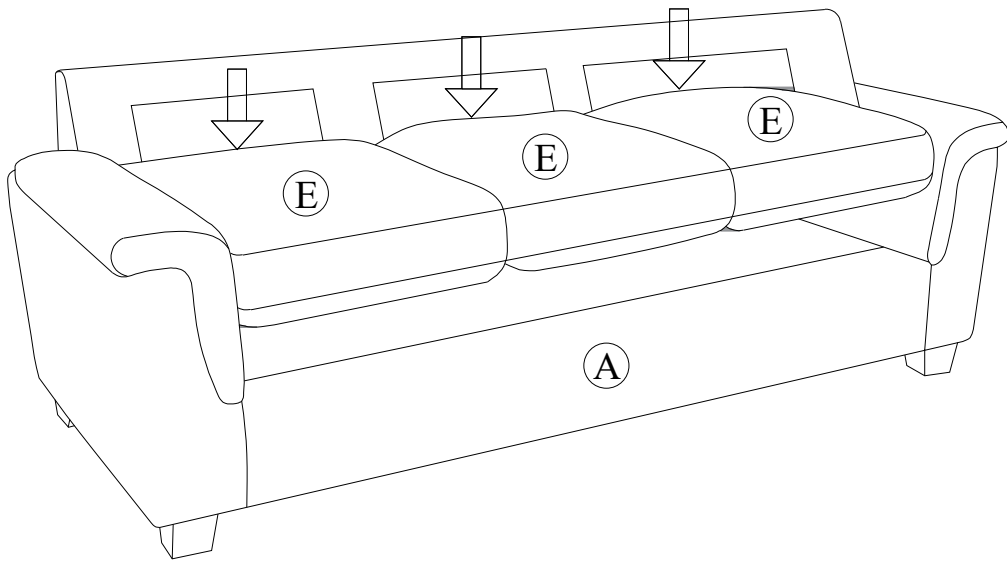
STEP 3



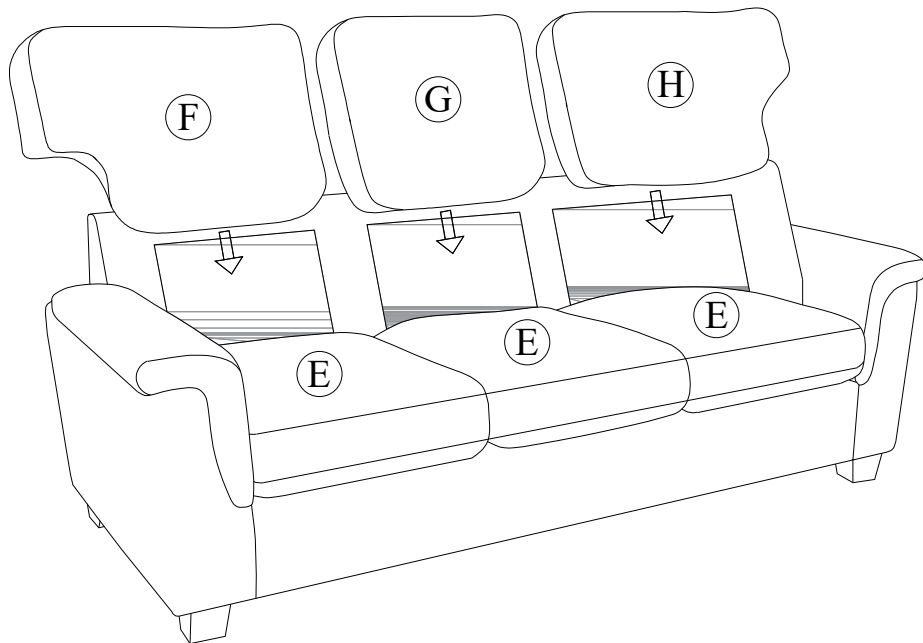
STEP 4



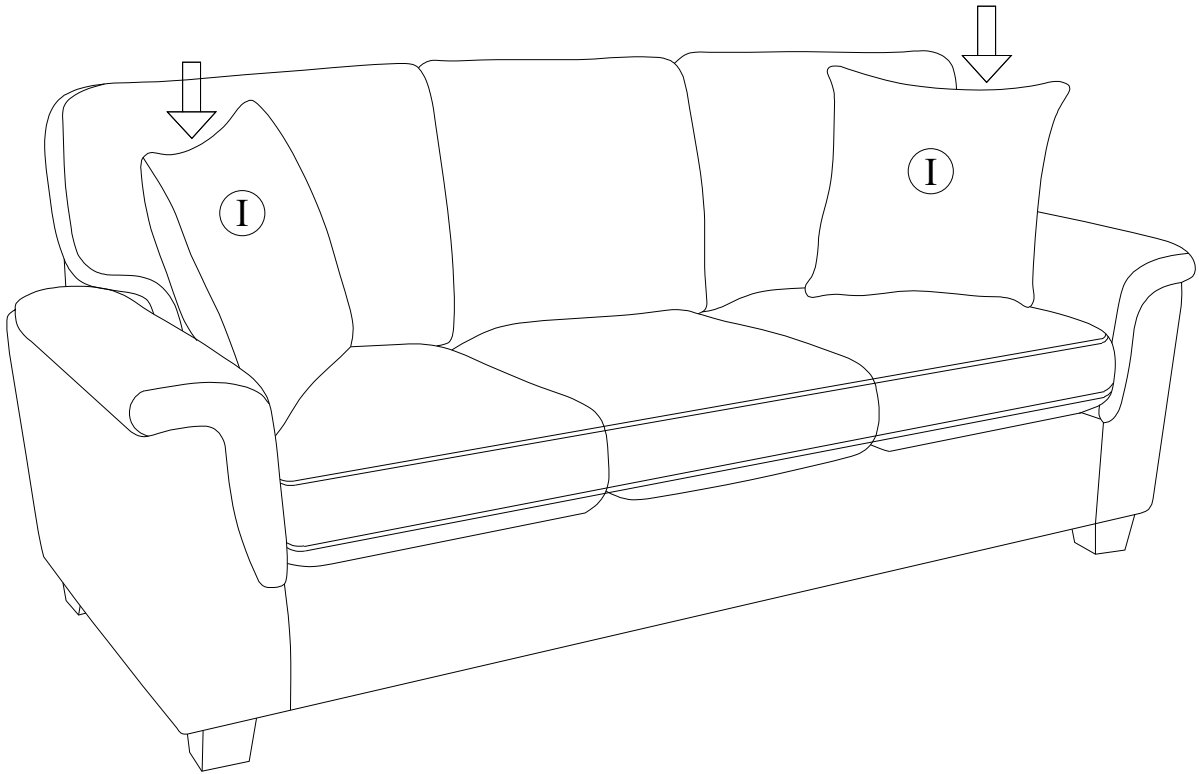
STEP 4



STEP 5



COMPLETED



Care Instruction for Chenille Furniture:
In order to maintain the original appearance of your chenille ,please follow the simple care procedures below:

- Avoid exposing furniture directly to sunlight or heating and air conditioning outlets. Sunlight and/or exposure to heating and air conditioning outlets will fade/damage chenille.
- Vacuum or wipe with a soft cloth to remove dust.
- Hardware may loosen over time. Periodically check to make sure all connections are tight. Re-tighten if necessary.



For items used on wooden floor,hard surfaces or carpets,it is recommended to install protective pads under all legs and supports to prevent damages,scratches,and discoloration.