



# ASSEMBLY INSTRUCTION

4983DZF/WHTE/MBKF-NT FULL SIZE DAYBED  
WITH TRUNDLE

## HOMELEGANCE

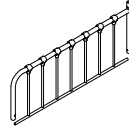
### PART LIST:



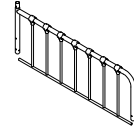
A: Arm Post  
2PCS



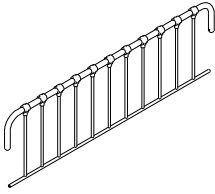
B: Arm Post  
2PCS



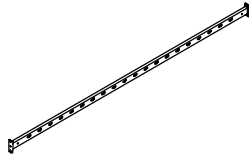
C: LSF Arm  
1PC



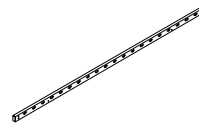
D: RSF Arm  
1PC



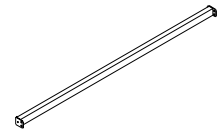
E: Back Frame  
1PC



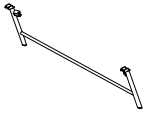
F: Rail  
2PCS



G: Trundle Long  
Rail  
2PCS



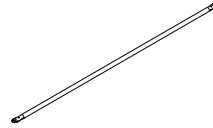
H: Trundle Short  
Rail  
2PCS



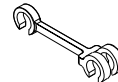
I: Legs  
2PCS



J: Wheel  
4PCS



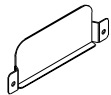
K: Slat  
20PCS



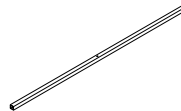
L: Spacer  
38PCS  
Daybed: 19pcs, Trundle: 19pcs



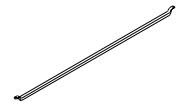
M: Slat Connector  
80PCS



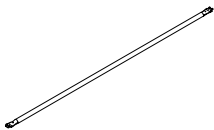
N: Bracket  
4PCS



O: End Brace  
2PCS



P: Center Brace  
1PC



Q: Slat  
20PCS

### HARDWARE LIST:



1: Bolt  
5/16"-18\*1 9/16"  
X 4pcs



2: Bolt  
1/4"-20\*2 1/5"  
X 6pcs



3: Bolt  
1/4"-20\*3/4"  
X 22pcs



4: Bolt  
5/16"-18\*3/4"  
X 8pcs



5: Bolt  
5/16"-18\*1 1/3"  
X 4pcs



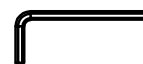
6: Bolt  
1/4"-20\*1 9/16"  
X 6pcs



7: NYloc Nut  
1/4"-20  
X 2pcs



8: NYloc Nut  
5/16"-18  
X 8pcs



9: Allen Key  
X 1pc

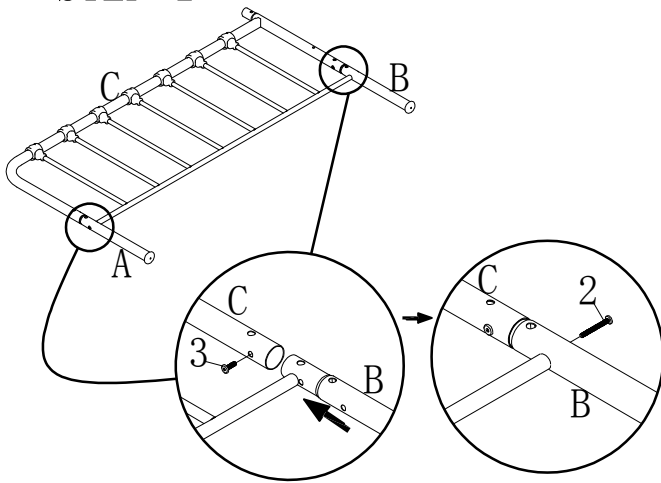


10: Wrench  
X 1pc  
Page: 1/5

Note: Please do not tighten all bolts until the bed is assembled completely.

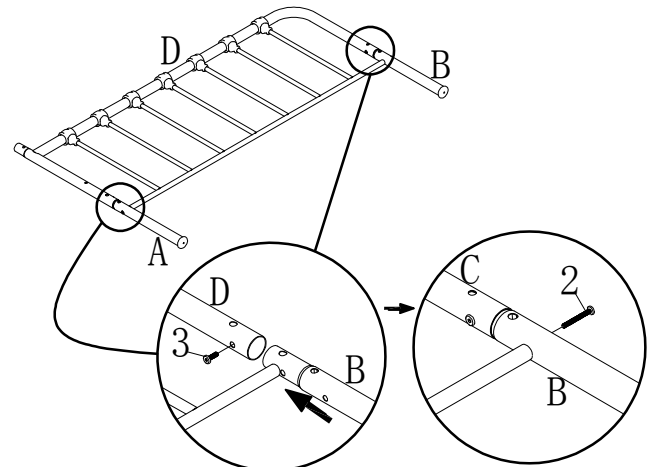
### DAYBED ASSEMBLY

#### STEP 1



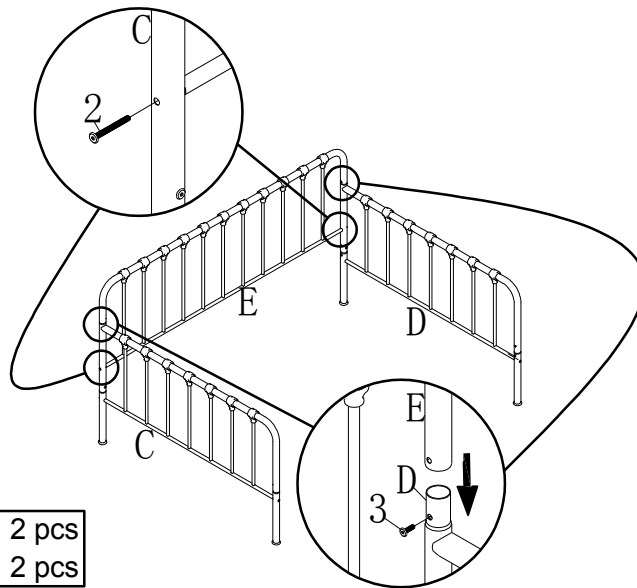
Hardware 2: 2 pcs  
Hardware 3: 2 pcs

#### STEP 2



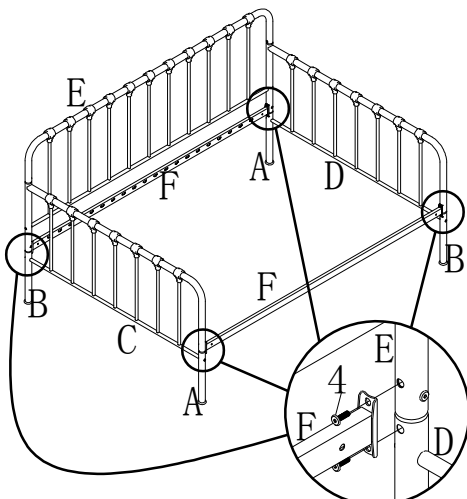
Hardware 2: 2 pcs  
Hardware 3: 2 pcs

#### STEP 3



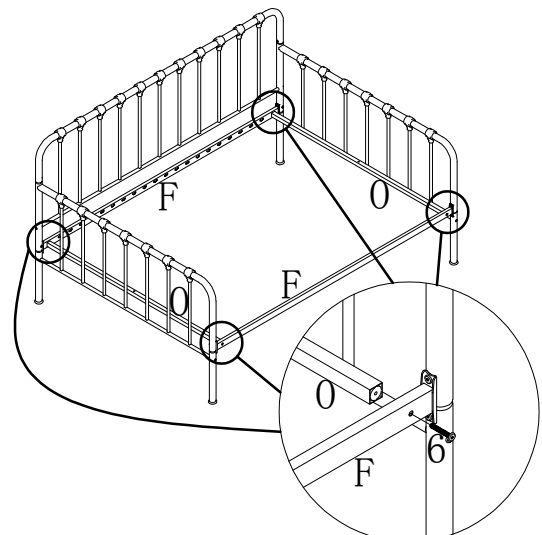
Hardware 2: 2 pcs  
Hardware 3: 2 pcs

#### STEP 4



Hardware 4: 8 pcs

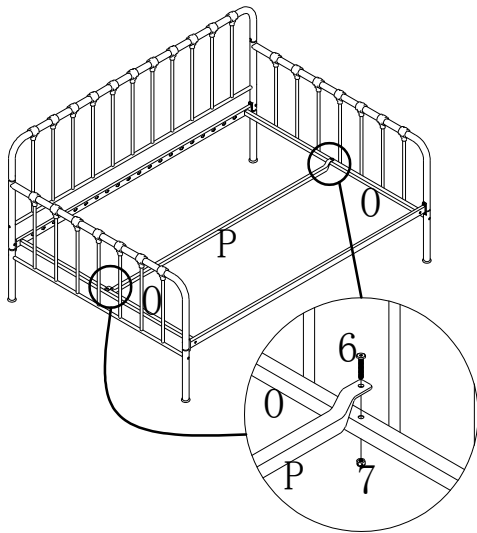
#### STEP 5



Hardware 6: 4 pcs

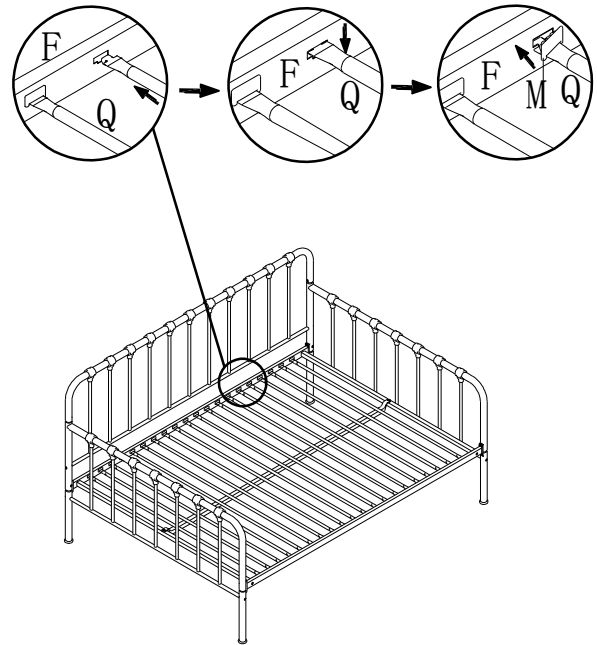
Note: Please do not tighten all bolts until the bed is assembled completely.

### STEP 6

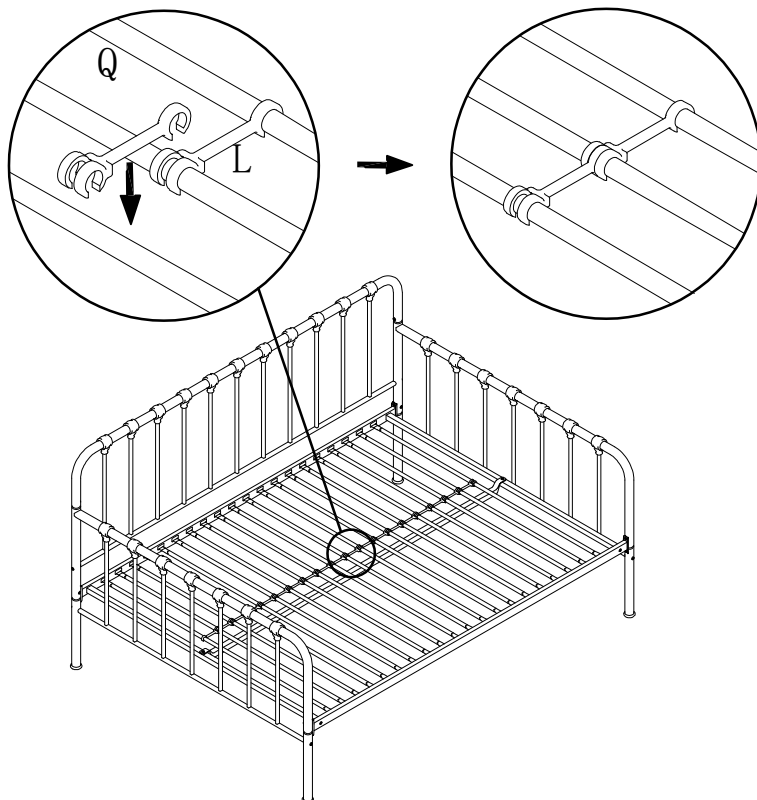


Hardware 6: 2 pcs  
Hardware 7: 2 pcs

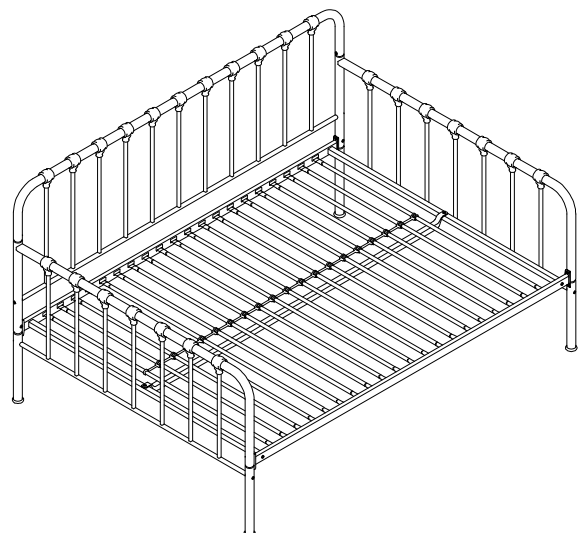
### STEP 7



### STEP 8



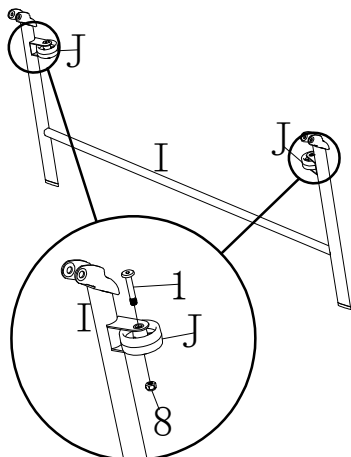
### DAYBED COMPLETED



Note: Please do not tighten all bolts until the bed is assembled completely.

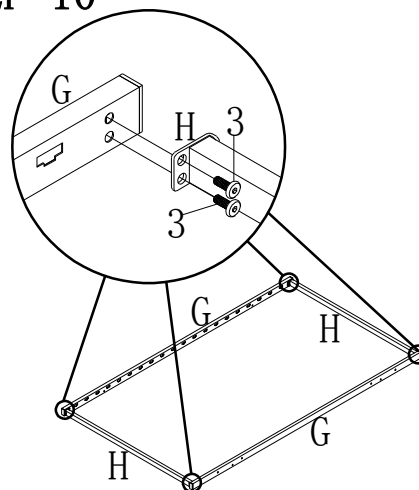
### TRUNDLE ASSEMBLY

#### STEP 9



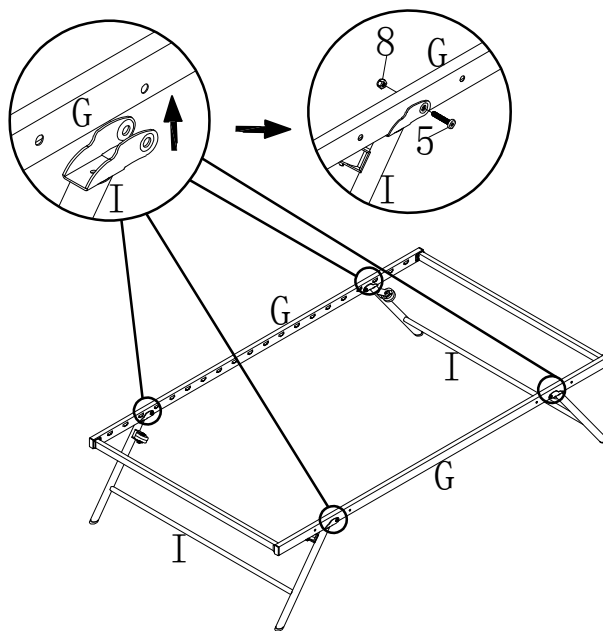
Hardware 1: 4 pcs  
Hardware 8: 4 pcs

#### STEP 10



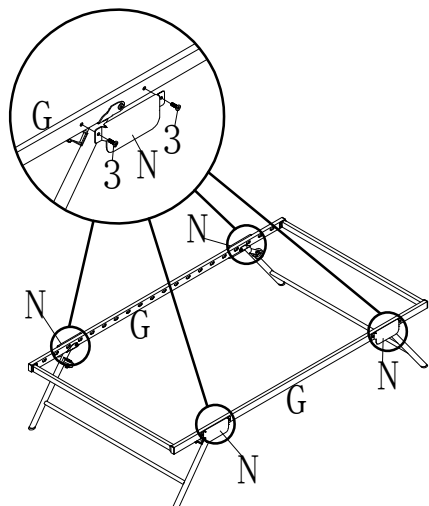
Hardware 3: 8 pcs

#### STEP 11



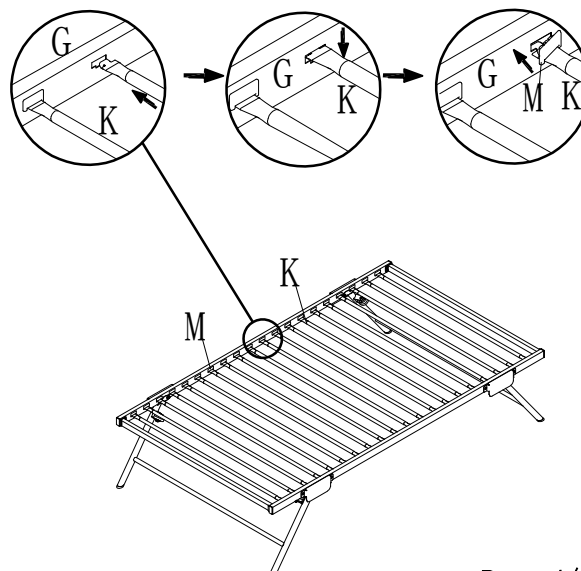
Hardware 5: 4 pcs  
Hardware 8: 4 pcs

#### STEP 12



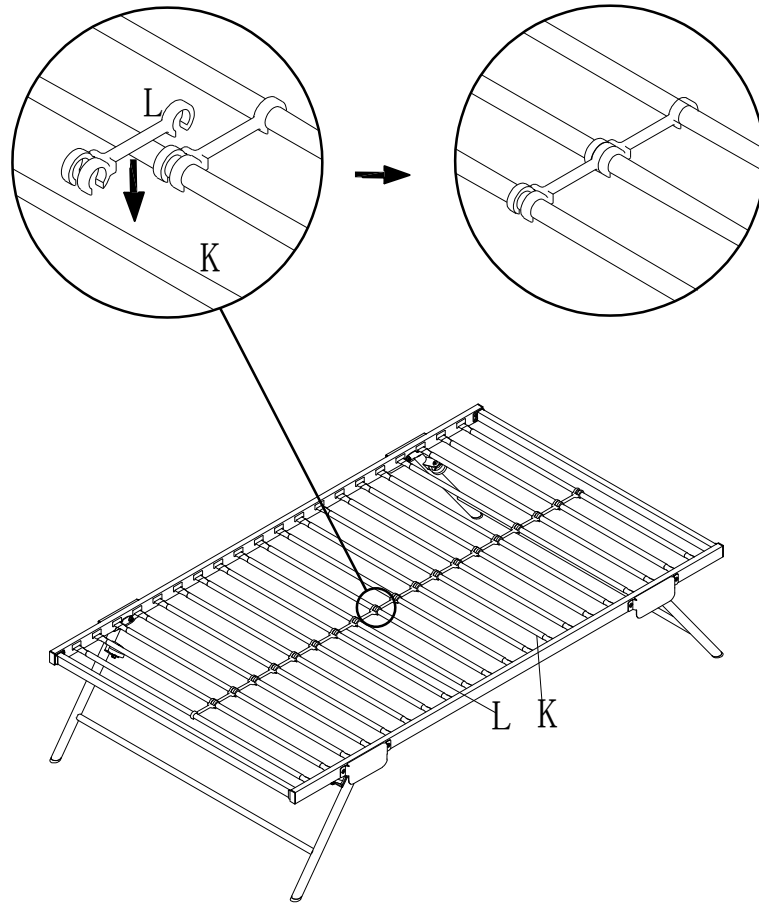
Hardware 3: 8 pcs

#### STEP 13



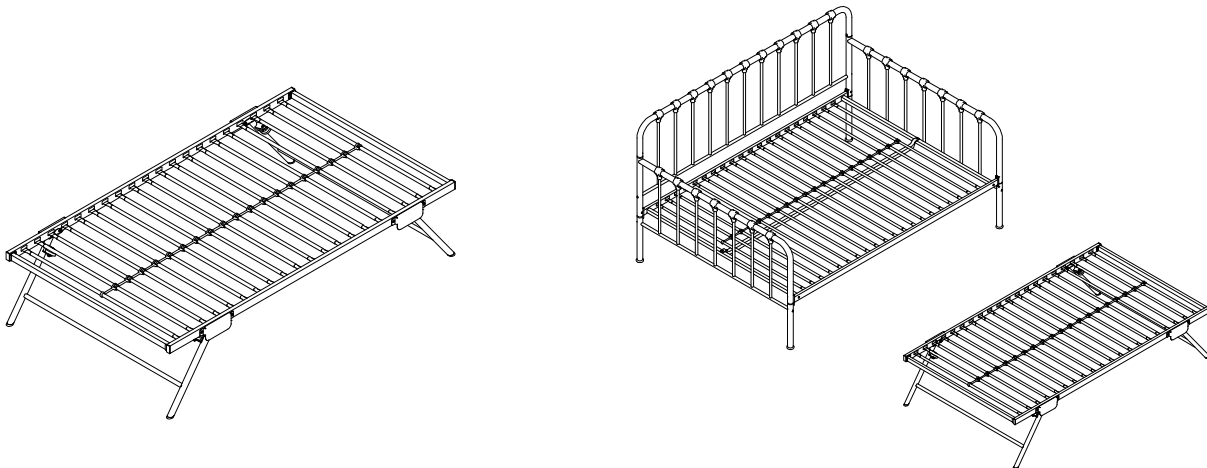
Note: Please do not tighten all bolts until the bed is assembled completely.

STEP 14



TRUNDLE COMPLETED

COMPLETED



For items use on wooden floor, hard surfaces or carpets, it is recommended to Install protective pads under all legs and supports to avoid/prevent from damages/scratches and discoloration.