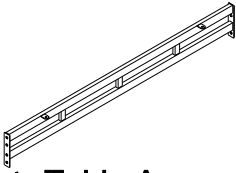


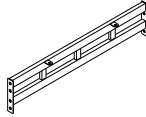
ASSEMBLY INSTRUCTION

SH1158-36 COUNTER HEIGHT TABLE

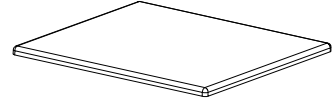
PART LIST:



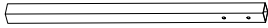
A: Table Apron
2PCS



B: Table Apron
2PCS



C: Table Top
1PC



D: Table Leg
4PCS

HARDWARE LIST:



1 : Bolt
1/4"-20X 16mm
16PCS



2 : Bolt
M5 X 20mm
8PCS



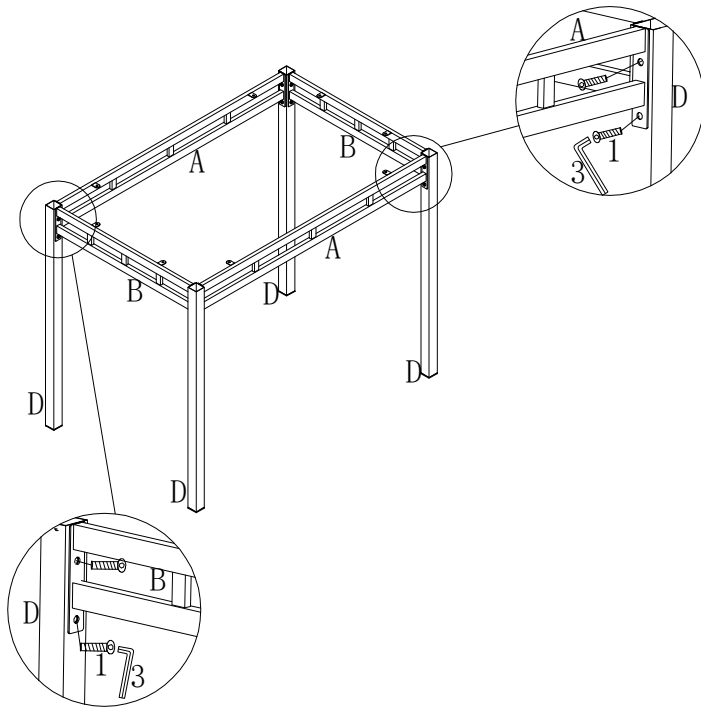
3 : 4mm
1PC



4 : Not Provide

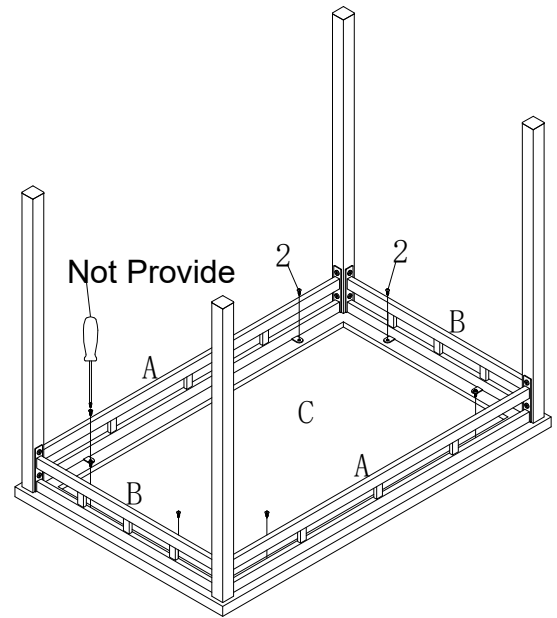
NOTE: PLEASE DO NOT TIGHTEN ALL BOLTS UNTIL THE BED IS ASSEMBLED COMPLETELY.

STEP 1:



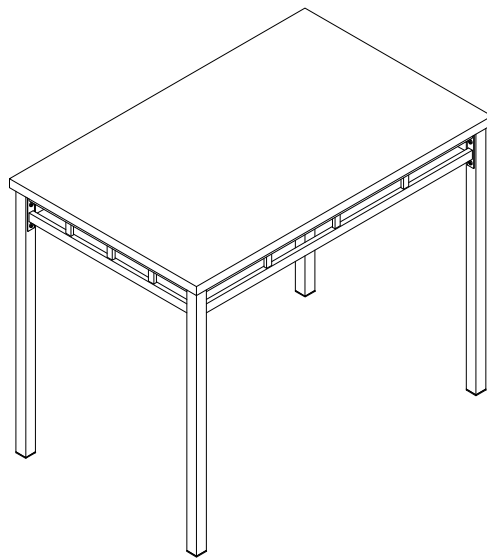
Hardware 1: 16 pcs

STEP 2:



Hardware 1: 8 pcs

COMPLETED:



! For items use on wooden floor, hard surfaces or carpets, it is recommended to install protective pads under all legs and supports to avoid/prevent from damages/scratches and discoloration.