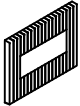











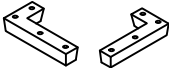


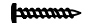




ASSEMBLY INSTRUCTION

ITEM NO: SH296BLKK-1EK/SH296GRYK-1EK
SH296BLK-1/SH296GRY-1

KING BED
QUEEN BED

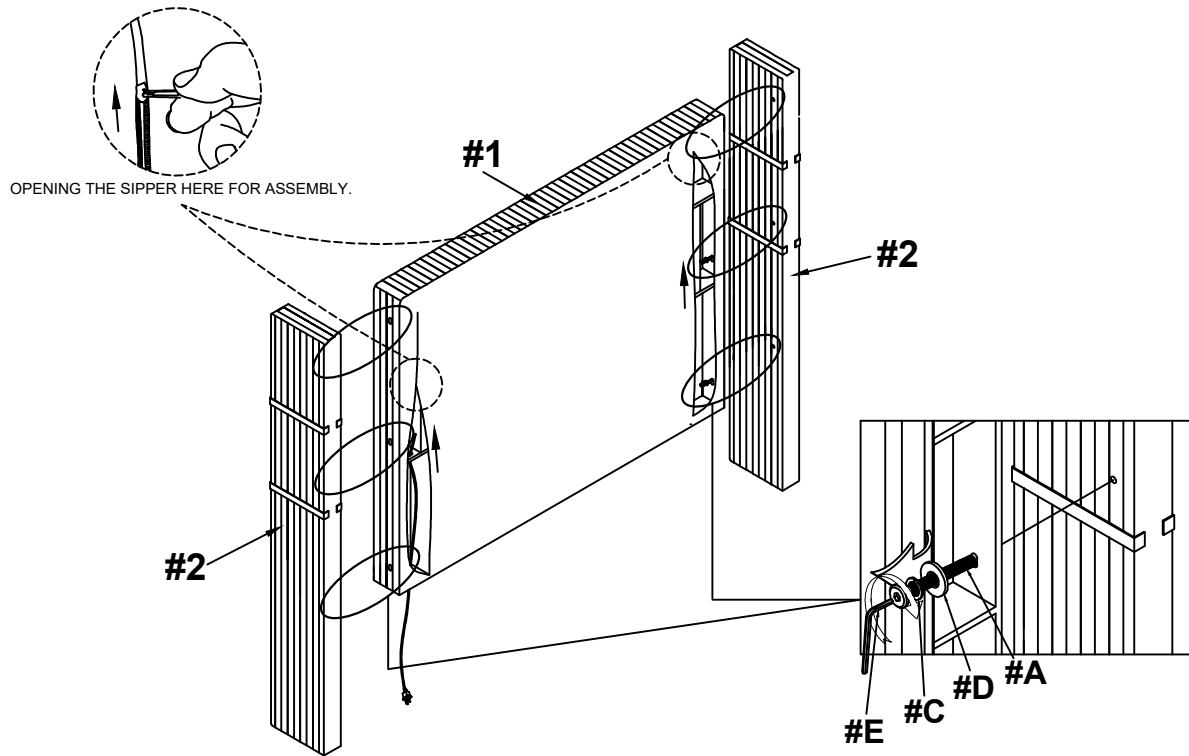
Thank you for purchasing this quality product. Be sure to check all packing material carefully for small parts that may have come loose inside the carton during shipment.

| PART LIST | | | | HARDWARE LIST | | | | |
|-----------|-------------------------------|---|------|---------------|-------------------|---|---------------|-------|
| NO. | Description | Sketch | Q'ty | NO. | Description | Sketch | Size | Q'ty |
| 1 | HEADBOARD W/T FIREPLACE DECOR |  | 1PC | A | BOLT |  | Ø5/16" x 60MM | 6PCS |
| 2 | LSF/RSF HEADBOARD WINGS |  | 2PCS | B | THREADED BOLT |  | Ø5/16" x 90MM | 8PCS |
| 3 | FOOTBOARD |  | 1PC | C | SPRING WASHER |  | Ø5/16" | 14PCS |
| 4 | LSF/RSF SIDE RAILS |  | 2PCS | D | FLAT WASHER |  | Ø5/16" 25mm | 14PCS |
| 5 | SLATS |  | 4PCS | E | ALLEN WRENCH |  | 5MM | 1PC |
| 6 | SUPPORT LEG WITH LEVELER |  | 8PCS | F | HEX NUT |  | 16x13x13MM | 8PCS |
| 7 | LSF/RSF L FEET |  | 2PCS | G | WRENCH |  | 95x25x3MM | 1PC |
| 8 | REMODE CONTROL |  | 1PC | H | SHORT SCREWS |  | M4x30MM | 8PCS |
| | | | | I | LONG SCREWS |  | M4x50MM | 8PCS |
| | | | | J | SMALL FLAT WASHER |  | Ø1/4" 13MM | 8PCS |

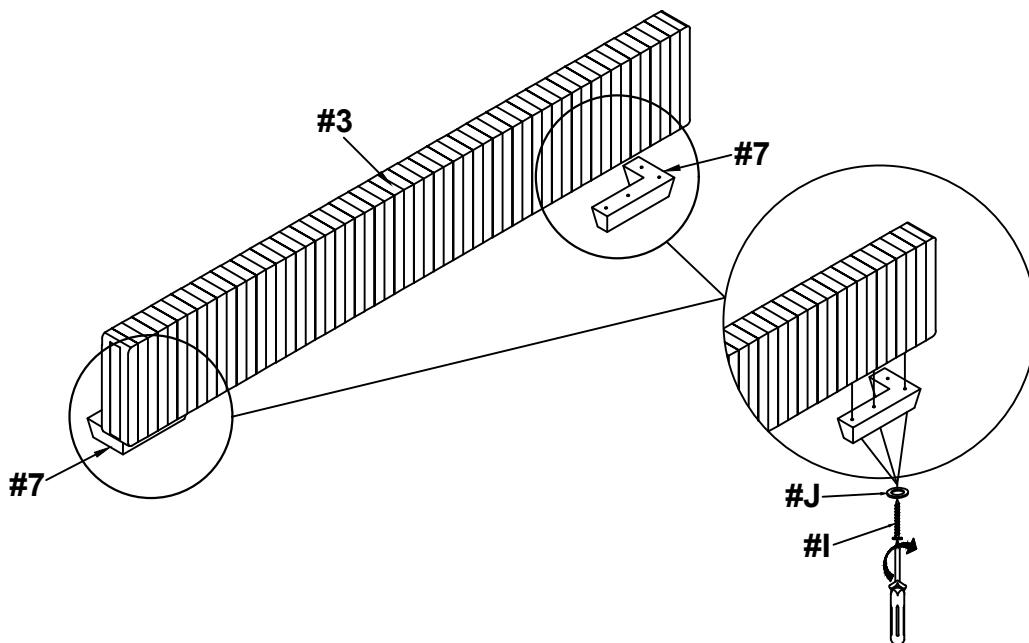
MADE IN VIETNAM

PAGE 1 OF 5

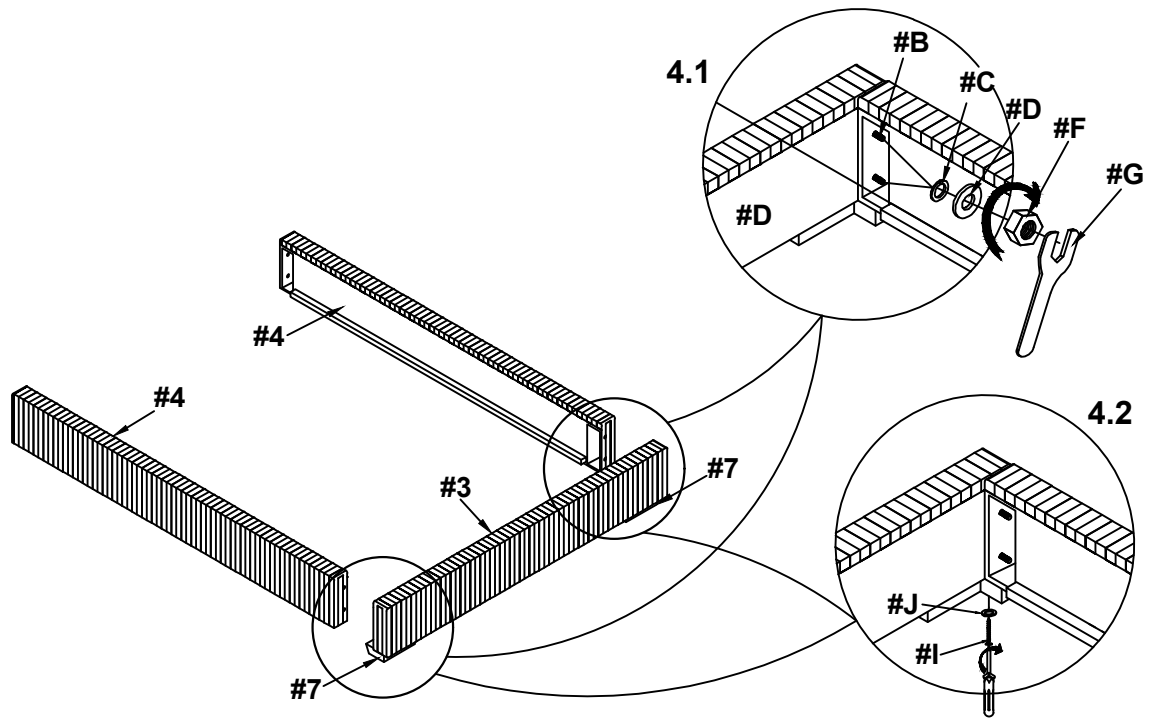
STEP 1



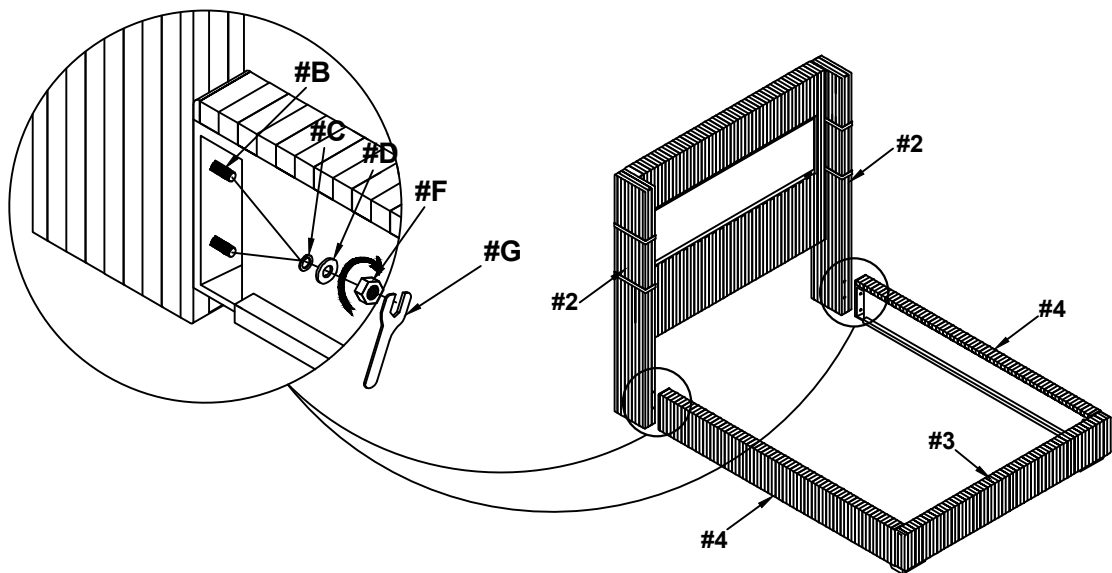
STEP 2



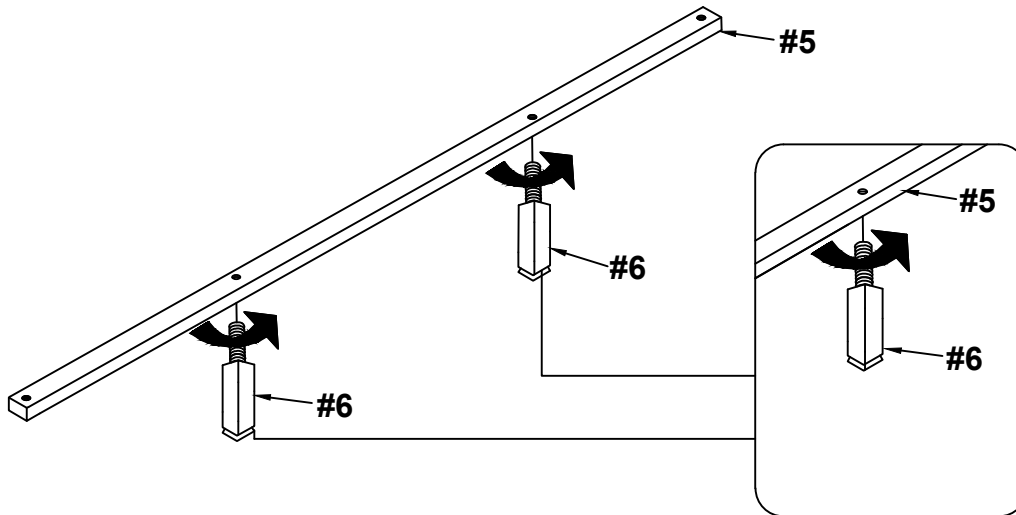
STEP 3



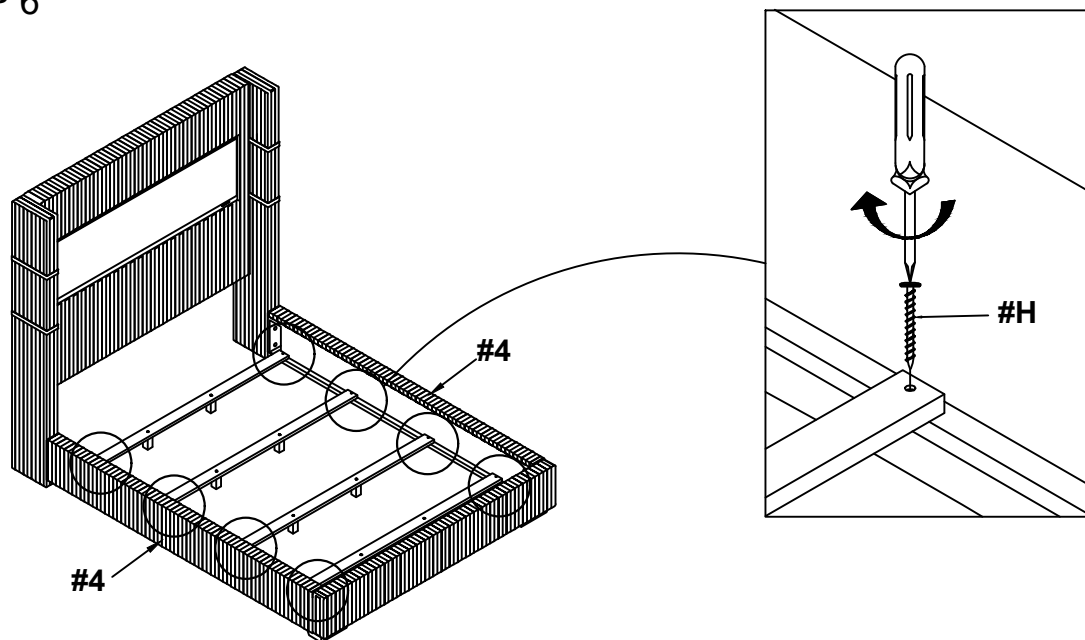
STEP 4



STEP 5

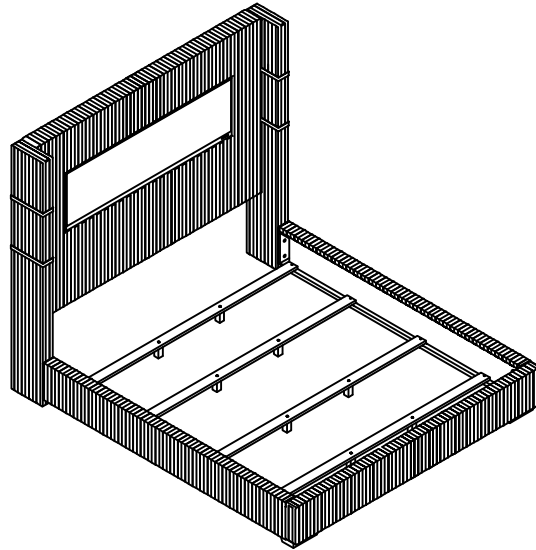


STEP 6

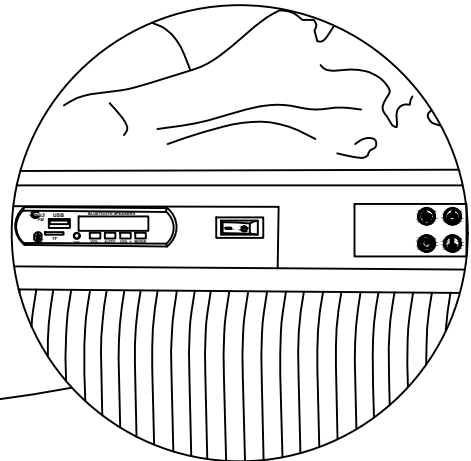
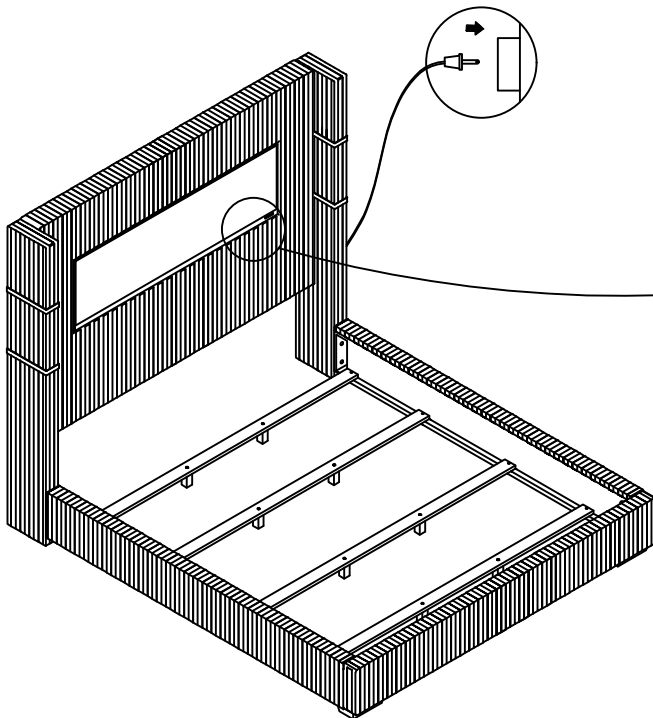


It is recommended to install protective pads under all legs and supports to avoid damage or scratches when placing furniture on a wood floor or other hard surface, and to limit indentation and prevent discoloration if placing on carpet.

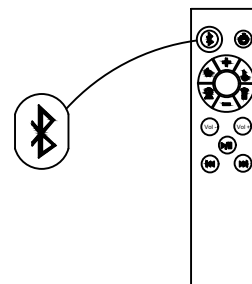
COMPLETED



Connect power



Bluetooth RS01



REMOTE CONTROL

CARE INSTRUCTION FOR POLYESTER:

In order to maintain the original appearance of your polyester furniture, please follow below simple care procedure:

- Avoid exposing furniture directly to sunlight or heating and air conditioning outlets. Exposure to sunlight or heating and air conditioning outlets will fade/damage polyester.
- Wipe gently with a damp soft cloth to remove dust, dirt and any grime build up.
- Hardware may loosen over time. Periodically check to make sure all connections are tight. Re-tighten if necessary