

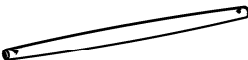
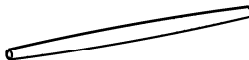
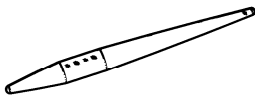

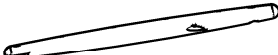







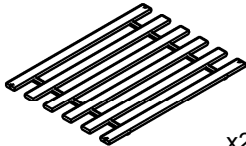







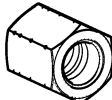









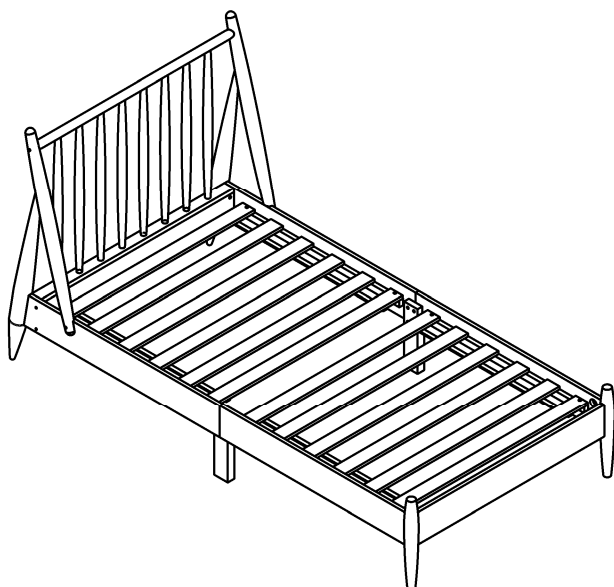


ASSEMBLY INSTRUCTION

SH2225T-1 / SH2225BLKT-1

1 Headboard Bottom Panel  x1	2 Headboard Top Rail  x1	3 Spindle W Screw Hole  x4	4 Spindle W/O Screw Hole  x4	5 Headboard Post  x2
6 Headboard Connect Leg (L)  x1	7 Headboard Connect Leg (R)  x1	8 Footboard Leg  x2	9 Footboard Panel  x1	10 Front Side Rail (L)  x1
11 Front Side Rail (R)  x1	12 Rear Side Rail (L)  x1	13 Rear Side Rail (R)  x1	14 Side Rail Support Leg  x2	15 Slat (6pcs / Roll)  x2
A Screws M6 x 90mm  x4	B Screws M6 x 50mm  x6	C Screws M6 x 40mm  x8	D Screws M6 x 30mm  x2	E Barrel Nut M6 x 13mm  x8
F Wood Dowel 10 x 40mm  x8	G Stud Bolt M6 x 60mm  x8	H Hex Nut M6 (RB)  x8	I HalfMoon Washer Ø7.5 MM  x8	J Spanner 10mm (M6)  x1
K Allen Key M4 x 100mm  x1	L CSK Screw M4 x 25mm  x8	M PH Screw M4 x 45mm  x2	N PH Screw M4 x 38mm  x8	O Flat Washer M6 x 19mm  x8
P Flat Washer M6 x 13mm  x12	Q Spring Washer M6 x 13mm  x8			

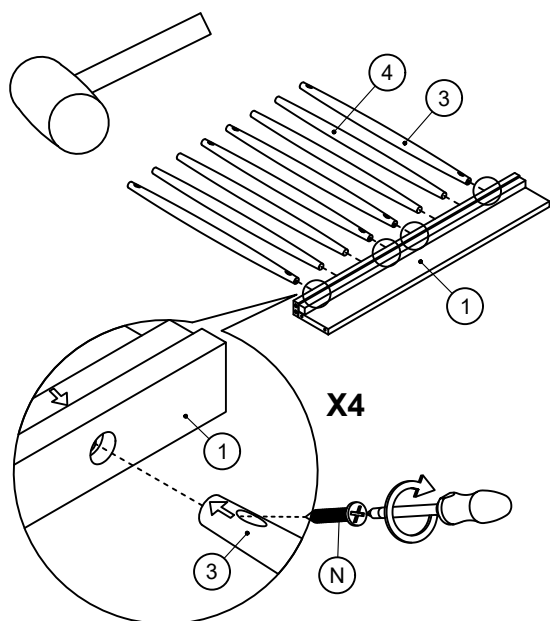


This page lists all contents included in the box. Please take the time to identify the hardware as well as the individual components to this product. As you unpack and prepare for assembly, place the contents on a carpeted or padded area to protect them from damage.

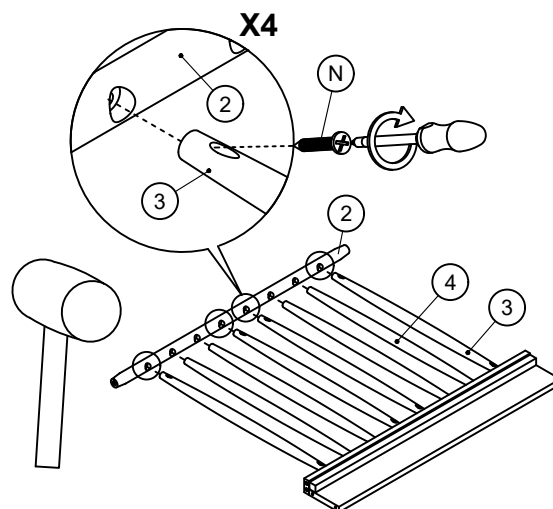
ASSEMBLY INSTRUCTION

SH2225T-1 / SH2225BLKT-1

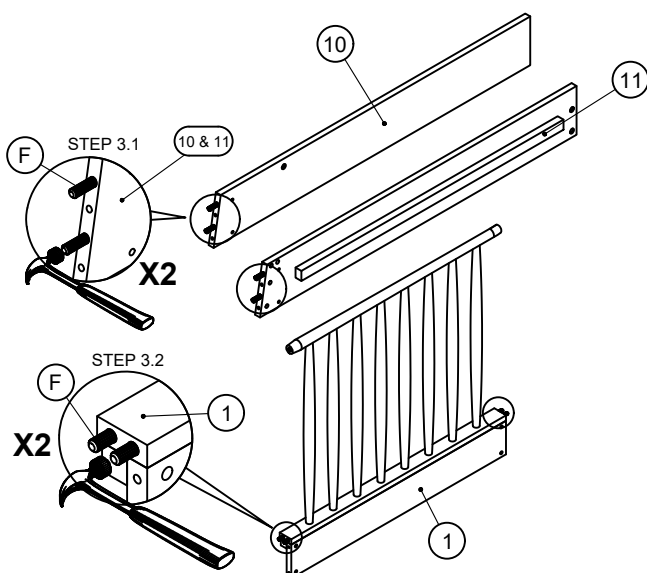
- 1** used plastic hammer insert all (3) and (4) into (1) and use (N) to tighten in (3)



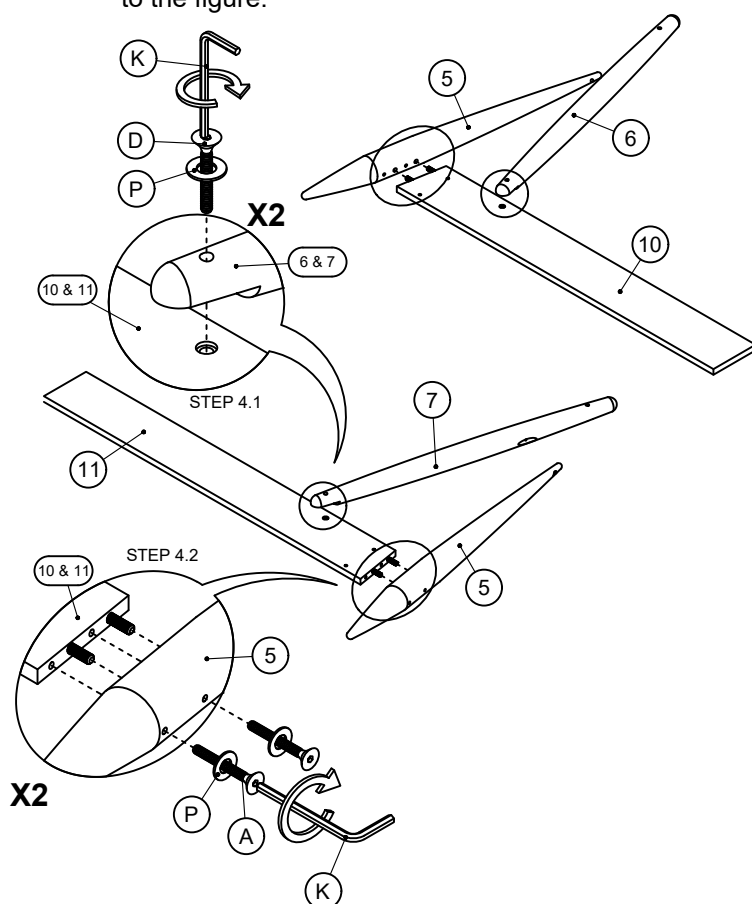
- 2** used plastic hammer insert 2 into (3) and (4) and use (N) to tighten in (3)



- 3** knock the Item(F) wood dowel into the (10)&(11)&(1) hole.



- 4** Insert (P) on (D) tighten them with (K) and Insert (P) on (A) tighten them with K in the relative positions according to the figure.



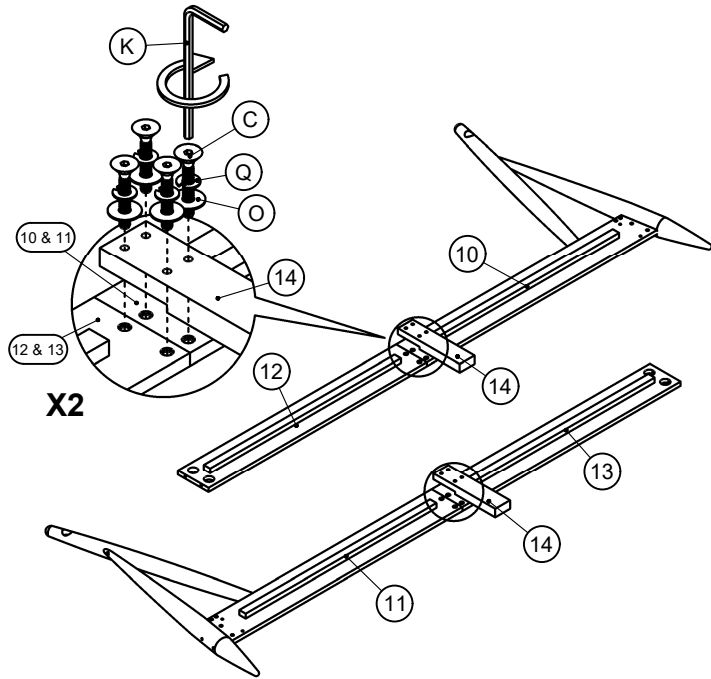
Cleaning & Care

Treat surface with care. Surface is resistant to scratches but is not scratch resistant. Clean surfaces with a dry or damp soft cloth. Do not use abrasive cleaners. Hardware may loosen over time. Periodically check that all connections are tight. (DO NOT FULLY TIGHTEN ALL OF JCBC)

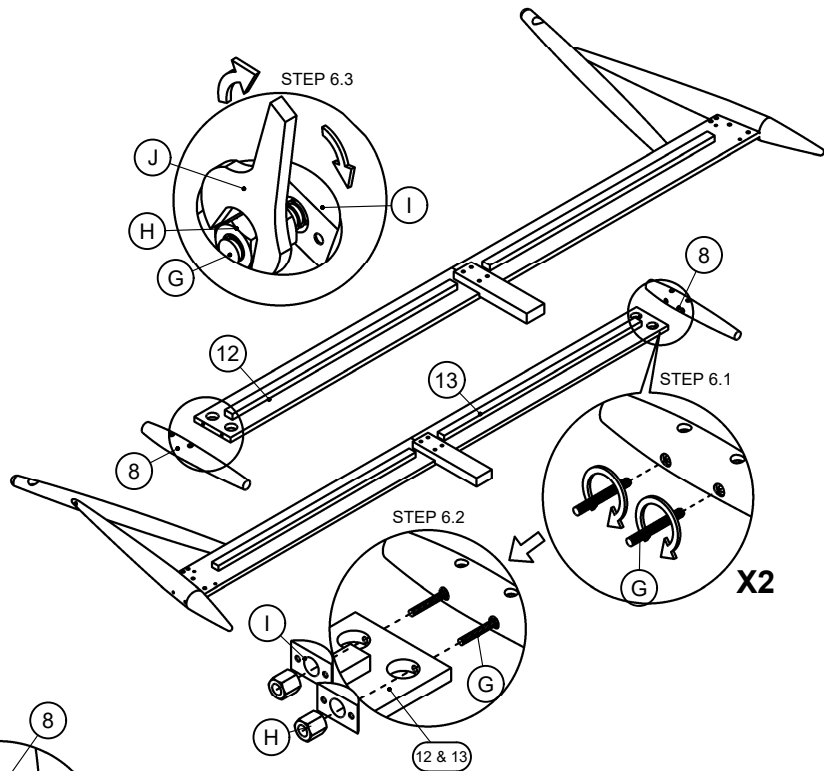
ASSEMBLY INSTRUCTION

SH2225T-1 / SH2225BLKT-1

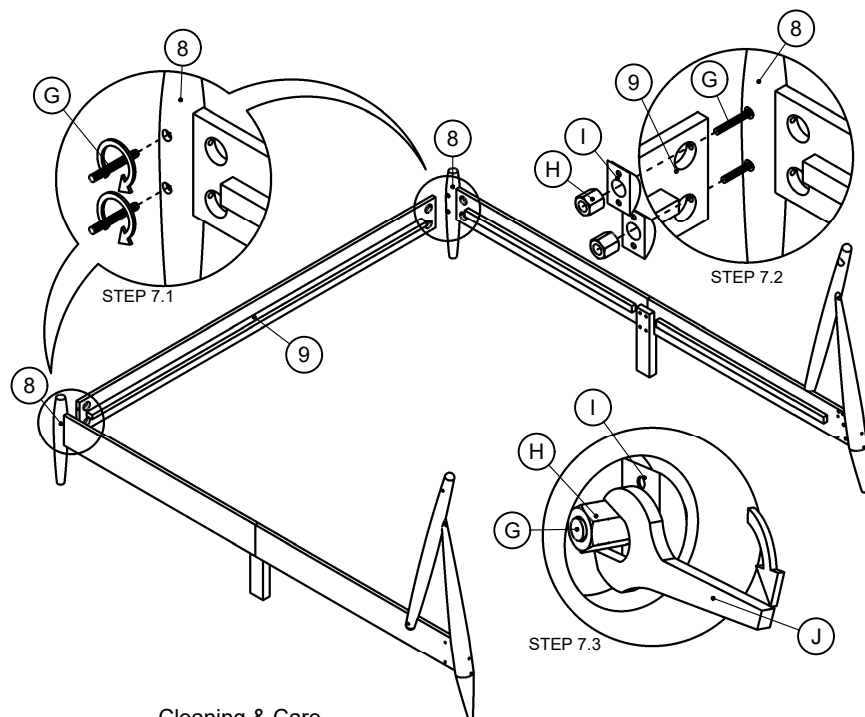
- 5** Insert (Q) AND (O) on (C) then tighten them with (K) the relative positions according to the figure.



- 6** Insert (G) into (8) then insert (12) and (13) respectively into (G) that has just been connected to (8), then tighten (J) to (H) & (I)



- 7** Insert (G) into (8) then insert (9) into (G) that has just been connected to (8), then tighten (J) to (H) & (I)



Cleaning & Care

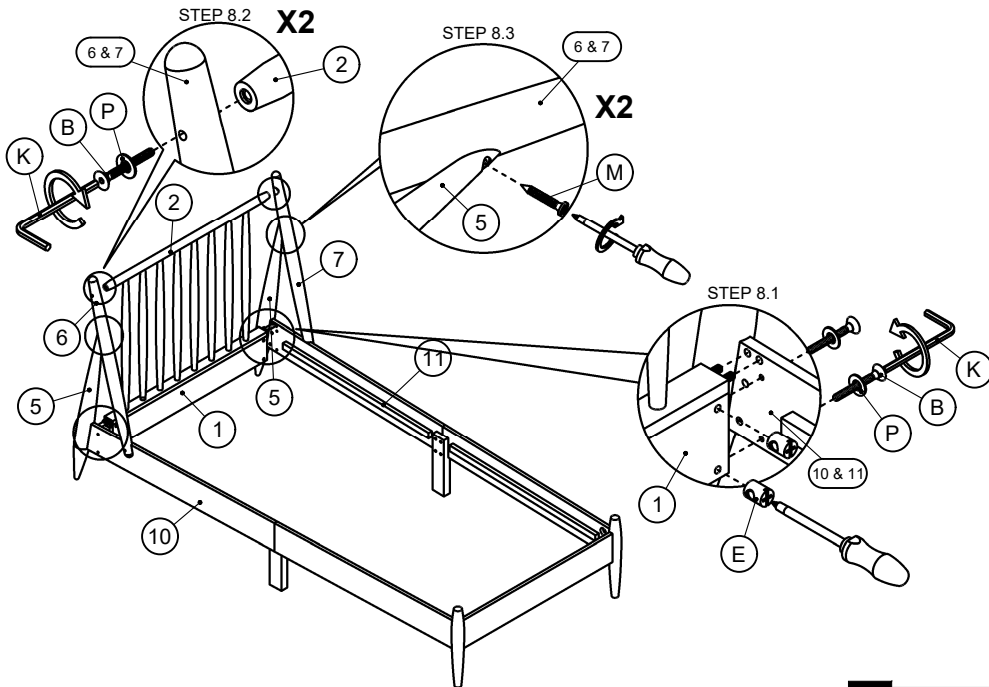
Treat surface with care. Surface is resistant to scratches but is not scratch resistant. Clean surfaces with a dry or damp soft cloth. Do not use abrasive cleaners. Hardware may loosen over time. Periodically check that all connections are tight. (DO NOT FULLY TIGHTEN ALL OF JCBC)

ASSEMBLY INSTRUCTION

SH2225T-1 / SH2225BLKT-1

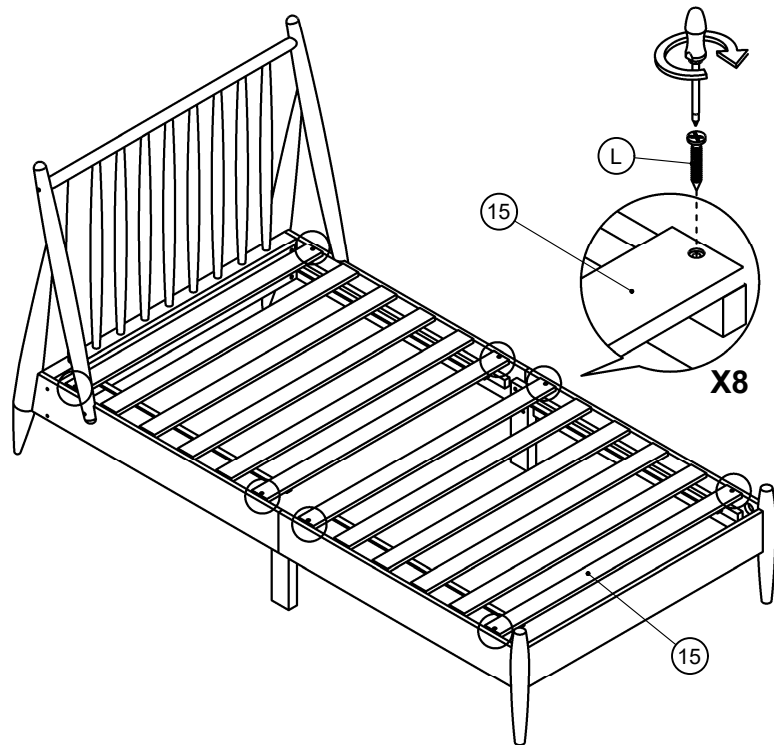
8

Insert (E) to (1) then insert (P) to (B) Then use (K) to tighten them relative positions according to the figure. used (M) tighten into (5)



9

Turn (L) into the screw (15) using the Screwdriver then (Fully tighten all of screw and JCBC!!)



Cleaning & Care

Treat surface with care. Surface is resistant to scratches but is not scratch resistant. Clean surfaces with a dry or damp soft cloth. Do not use abrasive cleaners. Hardware may loosen over time. Periodically check that all connections are tight.